

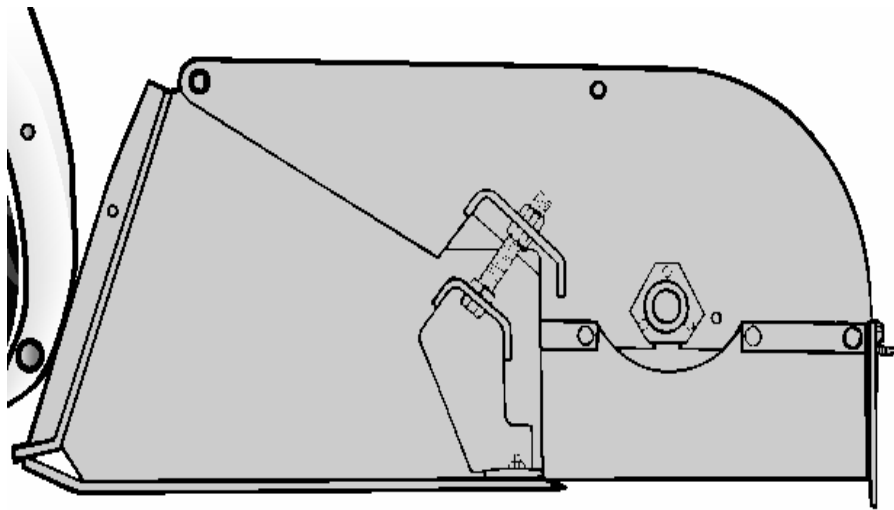


30 Salisbury Road, Hornsby, NSW 2077
PO Box 50, Hornsby, NSW 1630 Australia
Phone: (02) 9477 8444
Fax: (02) 9476 6558

RISK ASSESSMENT

For

Sweeper Attachment



CONTENTS

Applicability

Standards referenced in the preparation of this document

Risk Assessment (1 page)

APPLICABILITY

The following Risk Assessment document is applicable to the Sweeper attachment sizes:

- SWEEPER (54" / 1370mm)
- SWEEPER (60" / 1525mm)
- SWEEPER (72" / 1830mm)

STANDARDS REFERENCED

The following Standards, Acts and Regulations were referenced in the preparation of this Risk Assessment.

- NOHSC: 1010 (1994) - National Standard for Plant
- OHS Act 2000 (NSW)
- OHS Regulation 2001 (NSW)
- Workplace Health and Safety Act 1995 (Queensland)
- Workplace Health and Safety Regulation 1997 (Queensland)
- AS2359.6 (1995) – Powered Industrial Trucks – Safety Code
- AS4360 (2004) – Risk Management
- ISO/WD 3691-1 (1999) – Industrial Trucks – Safety Requirements and Verification
- EN1459 (1999) – Safety of Industrial Trucks

Risk Assessment - Sweeper

Subject: Hydraulic Sweeper Attachment for Compact Loader

Hazard	Risk	Level	Control
Plant machinery not compatible with attachment	Injury to bystander- excessive pressure could cause failure	Low	Use correct attachment and work procedures. Refer to owners manual
Attachment not secured correctly	Attachment may fall off - Injury to bystanders	Low	Refer to operators manual - Make sure attachment is connected correctly
Bystander collision	Poor visibility causing collision	Medium	Operator should only proceed when a full grasp of surroundings is known
Moving sweeper manually	Back injury, strains	Low	Only use plant equipment to move sweeper
Connecting/disconnecting sweeper	Crush injury to body and/or limbs, back injury, strains	Low	Follow guidelines set out in users manual
Attachment becomes hot due to sun/ hydraulic operation	Burns to operator	Low	Use gloves if need be, when connecting/disconnecting trencher
Sharp edges	Minor abrasions and cuts	Low	Take care when moving in the vicinity of the sweeper or making adjustments
Rotating bristles (under cover)	Coming in contact with or getting caught on moving sweeper bristles	Medium	Do not open cover whilst in operation
Hydraulic leakage under pressure while hot	Burns to operator, bystanders	Low	Burst bag covers all hydraulic lines
Hot hydraulic fluid while disconnecting attachment	Burns to hands, eyes and/or body	Low	Relieve pressure in hydraulic lines before disconnecting, refer to owners manual
Noise- Prolonged exposure to high level noise	Hearing damage	Low	If plant machinery and/or sweeper exceed safe operation levels use hearing protection
Foreign objects ejected/thrown whilst in operation	Hazardous to bystanders body, head, eyes	Medium high	Bystanders must be well clear as objects could travel large distances, wear eye protection
Working underneath sweeper (servicing, repair)	Crush injury to body and/or limbs	Low	Use lift arm support, disconnect hydraulic hoses, turn engine off
Removal of shields	Hazardous to bystanders body, head, eyes	Medium high	Bystanders must be well clear as objects could travel large distances, wear eye protection
Persons riding on sweeper	Injury from moving parts, could be crushed beneath plant machinery	Medium high	Operator must ensure plant machinery is never running when people are around or on the attachment
Engine left on when operator leaves	Persons could approach the sweeper, all above mentioned possible	Low	Operator must switch off plant machinery when not in use
Dust caused by operation	Short, medium, long term health risks to operators and bystanders	Medium	Use proper dust masks and/or use water kit attachment to reduce dust
Moving with sweeper raised and running	Poor visibility causing collision, danger from rotating bristles	Low	Never drive with raised attachment refer to owners manual

Hierarchy of Control

1. Elimination
2. Substitution
3. Isolation
4. Engineering Control
5. Administrative Control
6. PPE