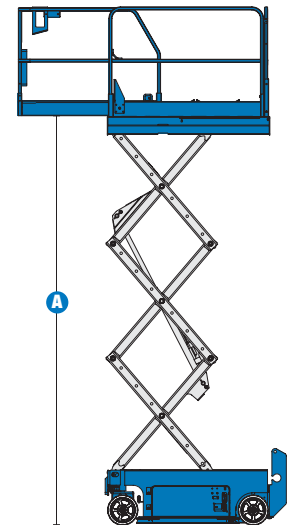
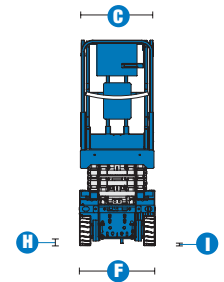
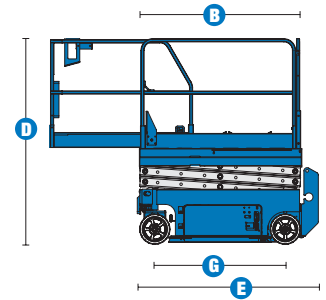


Specifications

MODELS	GS™-1532		GS™-1932	
MEASUREMENTS	Metric	US	Metric	US
Working height max*	6.4 m	21 ft	7.6 m	25 ft
A Platform height max	4.5 m	15 ft	5.8 m	19 ft
B Platform length - outside	1.64 m	64.4 in	1.64 m	64.4 in
extended	2.54 m	100 in	2.54 m	100 in
C Platform width - outside	74 cm	29.3 in	74 cm	29.3 in
Guardrail height: CE	1.0 m	40 in	1.0 m	40 in
Roll-out platform extension	91 cm	3 ft	91 cm	3 ft
Toeboard height	15 cm	6 in	15 cm	6 in
Height - stowed:				
D platform	97 cm	3 ft 2.2 in	1.00 m	3 ft 3.5 in
fixed rails	1.94 m	6 ft 5 in	2.00 m	6 ft 7 in
rails lowered	1.92 m	6 ft 4 in	1.95 m	6 ft 5 in
folding guardrails	2.02 m	6 ft 8 in	2.10 m	6 ft 11 in
rails folded	1.72 m	5 ft 8 in	1.74 m	5 ft 9 in
E Length - stowed	1.82 m	71.5 in	1.82 m	71.5 in
Length - stowed extended	2.73 m	9 ft	2.73 m	9 ft
F Width	81.3 cm	32 in	81.3 cm	32 in
G Wheelbase	1.32 m	52 in	1.32 m	52 in
H Ground clearance - centre	6.1 cm	2.4 in	6.1 cm	2.4 in
I - with pothole guards deployed	2 cm	.8 in	1.9 cm	.8 in



PRODUCTIVITY				
Lift capacity	272 kg	600 lbs	227 kg	500 lbs
Drive speed - stowed	4.2 km/h	2.5 mph	4.2 km/h	2.5 mph
Drive speed - raised	0.8 km/h	0.5 mph	0.8 km/h	0.5 mph
Gradeability	30%	30%	30%	30%
Turning radius - inside	zero	zero	zero	zero
Turning radius - outside	1.55 m	61 in	1.55 m	61 in
Raise / lower speed	16 / 17 sec	16 / 17 sec	16 / 23 sec	16 / 23 sec
Controls	proportional		proportional	
Drive	dual front wheel		dual front wheel	
Multiple disc brakes	dual rear wheel		dual rear wheel	
Tyres - solid non-marking	30 x 11 x 20 cm	12 x 4.5 x 8 in	30 x 11 x 20 cm	12 x 4.5 x 8 in

POWER				
Power source	24 V (4 6 V 245 Ah batteries)		24 V (4 6 V 245 Ah batteries)	
Hydraulic system capacity	20.8 L	5.5 gal	20.8 L	5.5 gal

WEIGHT**				
CE	1,238 kg	2,729 lbs	1,503 kg	3,314 lbs

STANDARDS COMPLIANCE	CE EN280, AS1418.10
----------------------	---------------------

* The metric equivalent adds 2m to platform height, US adds 6ft to platform height.
* **Weight will vary depending on options and/or country standards.

Features

EASILY CONFIGURED TO MEET YOUR NEEDS

PLATFORM

- Steel 1.62 m (5 ft 4 in) platform (standard)
- Extension platform 91 cm (3 ft)
- Folding rails with half-height swing gate

POWER

- 24 V (4 6 V 225 Ah batteries)

DRIVE

- 2WD

TYRE

- Solid non-marking

STANDARD FEATURES

MEASUREMENTS

GS™-1532

- 6.4 m (21 ft) working height
- Up to 272 kg (600 lb) lift capacity

GS™-1932

- 7.6 m (25 ft) working height
- Up to 227 kg (500 lb) lift capacity

PRODUCTIVITY

- 91 cm (3 ft) extension deck
- Proportional lift and drive
- Onboard diagnostic system
- AC power to platform
- Electric horn
- Tilt level sensor
- Descent alarm
- Hour meter
- Multiple disc brakes
- Brake release
- Emergency stop at both platform and ground controls
- Manual platform lowering valve
- Pothole guards
- Solid non-marking tyres
- Automatic battery charger
- Dual flashing light
- Platform swing gate



OPTIONS & ACCESSORIES

PRODUCTIVITY

- Air line to platform
- Automotive horn
- Ground controls cover
- Motion alarm

Genie Australia

591 Boundary Road, Darra, Qld 4076
PO Box 394, Richlands, Qld 4077
Tel: + 61 7 3375 1660
Toll Free In Australia: 1800 331 660
Fax: + 61 7 3375 1002

European Offices

UK

The Maltings
Wharf Road
Grantham NG31 6BH
UK
Tel: +44 (0)1476 584333
Fax: +44 (0)1476 584334

France

10, ZA de la Croix St. Mathieu
28320 Gallardon
France
Tel: +33 (0)2 37 26 09 99
Fax: +33 (0)2 37 26 09 98

Germany

Finienweg 3
28832 Achim/Bremen
Germany
Tel: +49 (0)4202 8852-0
Fax: +49 (0)4202 8852-25

Spain

Gai`a 31, Pol. Ind. Pl`a d'en Coll
08110 Montcada i Reixac
Barcelona
Spain
Tel: +34 93 572 50 90
Fax: +34 93 572 50 91

Scandinavia

Tagenevägen 72
425 37 Hisings Kärra
Sweden
Tel: +46 31 57 51 00
Fax: +46 31 57 90 20

Genie United States

18340 NE 76th Street
P.O. Box 97030
Redmond, Washington 98073-9730
USA
Tel: +1 425 881-1800
Fax: +1 425 883-3475

WEB: www.genieindustries.com.au

Distributed By: