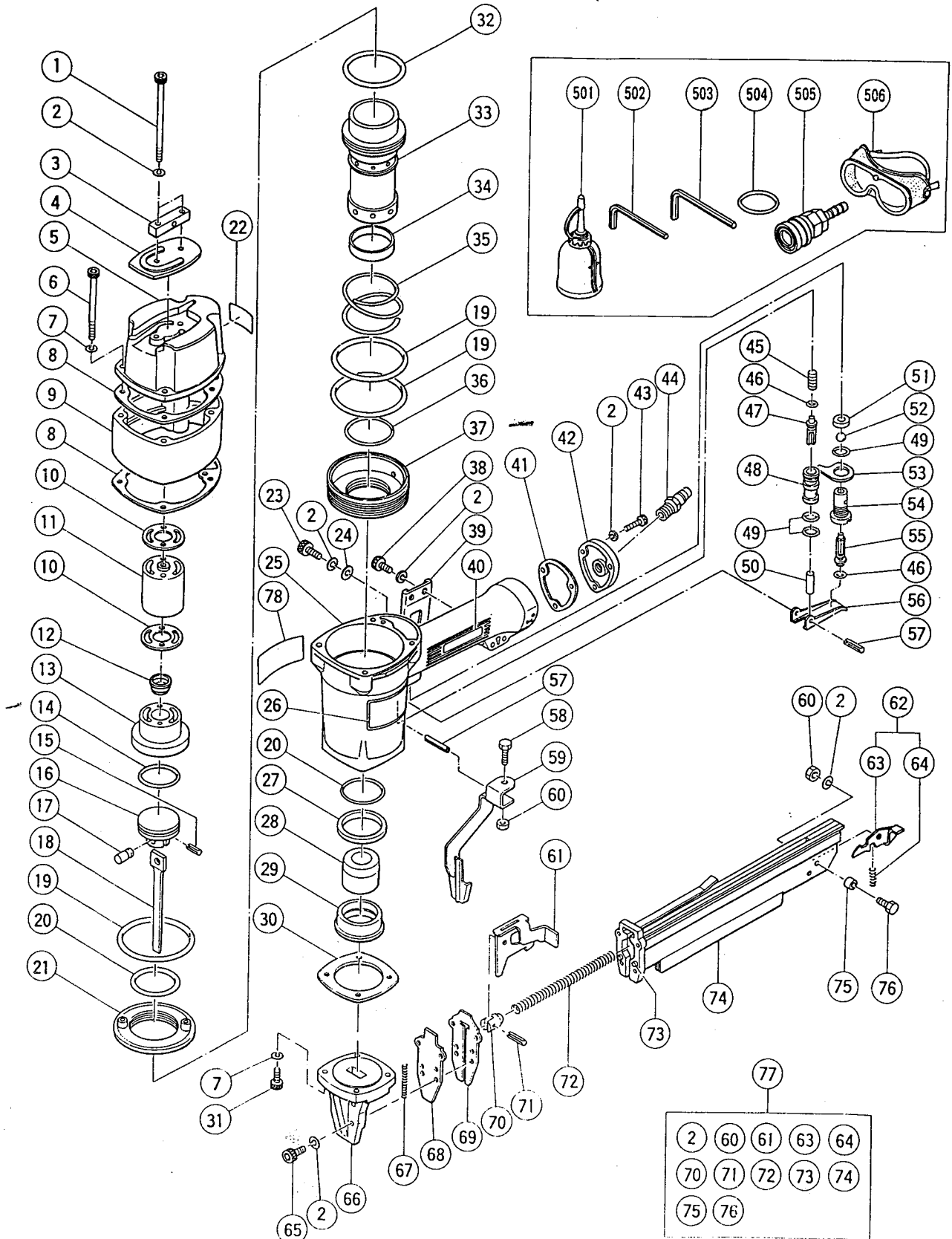


PNEUMATIC TOOL PARTS LIST

■ T - NAILER
Model NT 65AB
ORIGINAL

1992 • 6 • 30

(E2)



PARTS

NT 65AB

ITEM NO.	CODE NO.	DESCRIPTION	NO. USED	REMARKS
1	876-607	HEX. SOCKET HD. BOLT M5X90	2	
2	949-454	SPRING WASHER M5 (10 PCS.)	13	
3	876-618	HANGER	1	
4	876-444	TOP COVER	1	
5	876-621	EXHAUST COVER (C)	1	
6	876-605	HEX. SOCKET HD. BOLT M6X70	4	
7	949-455	SPRING WASHER M6 (10 PCS.)	8	
8	876-441	PACKING (B)	2	
9	876-622	UPPER COVER	1	
10	876-749	PACKING (G)	2	
11	876-606	EXHAUST PIECE	1	
12	878-417	EXHAUST VALVE	1	
13	876-442	HEAD CAP (C)	1	
14	931-835	O - RING (P - 36)	1	
15	949-861	ROLL PIN D2X12 (10 PCS.)	1	
16	876-602	PISTON	1	
17	875-613	BIT PIN	1	
18	876-603	DRIVE BIT 8.5	1	18 Small driver bit
19	874-104	CYLINDER O - RING (I.D 68.3MM)	3	from 880 253
20	875-602	CYLINDER O - RING (I.D 50.9MM)	2	
21	876-435	CYLINDER PLATE	1	
22		CAUTION PLATE	1	FOR USA,EUROPE
23	877-839	SEAL. LOCK HEX. SOCKET HD. BOLT M5X10	1	
24	949-431	BOLT WASHER M5 (10 PCS.)	2	
25	876-622	BODY CAP ASS'Y 876 972	1	INCLUD.41,42
25	877-602	BODY CAP ASS'Y	1	INCLUD.41,42 FOR USA,EUROPE
26		NAME PLATE	1	
27	876-733	CYLINDER DAMPER	1	
28	876-601	PISTON DAMPER	1	
29	876-600	DAMPER RING	1	
30	876-449	PACKING (A)	1	
31	949-687	HEX. SOCKET HD. BOLT M6X28 (10 PCS.)	4	alternative 991700
32	877-312	CYLINDER O - RING (I.D 63.1MM)	1	
33	876-732	CYLINDER	1	
34	876-434	CYLINDER RING	1	
35	875-605	CYLINDER SPRING	1	
36	876-433	CYLINDER O - RING B (I.D 55.9MM)	1	
37	876-731	CYLINDER GUIDE	1	
38	949-820	HEX. SOCKET HD. BOLT M5X15 (10 PCS.)	2	
39	876-616	HANDLE ARM	1	
40	950-565	HITACHI LABEL	1	
41	877-331	PACKING (D)	1	
42	877-386	CAP	1	
42	877-367Z	CAP	1	FOR USA,EUROPE
43	949-757	HEX. SOCKET HD. BOLT M5X20 (10 PCS.)	3	
44	874-782	AIR PLUG PT 1/4	1	
44	872-035	DUST CAP	1	FOR USA,EUROPE
45	875-643	PLUNGER SPRING	1	
46	874-820	PLUNGER O RING	2	
47	878-122	PLUNGER (A)	1	
48	878-266	VALVE BUSHING	1	

*: ALTERNATIVE PARTS

PARTS

ITEM NO.	CODE NO.	DESCRIPTION	NO. USED	REMARKS	
49	875 - 638	O - RING (S - 12)	3		
50	875 - 642	SAFETY PLUNGER (B)	1		
51	875 - 637	VALVE PACKING	1		
52	875 - 645	URETHANE BALL (B) D7.14	1		
53	875 - 644	VALVE PLATE	1		
54	876 - 738	TRIGGER VALVE BUSHING	1		
55	878 - 121	TRIGGER PLUNGER	1		
56	876 - 203	TRIGGER	1		
57	949 - 868	ROLL PIN D3X30 (10 PCS.)	2		
58	875 - 650	SAFETY BOLT	1		
59	876 - 615	SAFETY	1		
60	949 - 555	NUT M5 (10 PCS.)	2		
61	876 - 194	NAIL FEEDER	1		
62	876 - 209	FEEDER LOCK ASS'Y	1	INCLUD.63,64	
63	878 - 052	FEEDER LOCK	1		
64	878 - 053	SPRING	1		
65	949 - 664	HEX. SOCKET HD. BOLT M5X30 (10 PCS.)	4		
66	876 - 608	TAIL COVER	1		
67	875 - 651	SAFETY SPRING	1		
68	876 - 609	BIT GUIDE (A)	1		
69	876 - 610	BIT GUIDE (B)	1		
70	876 - 619	SLIDER	1		
71	949 - 778	ROLL PIN D3X10 (10 PCS.)	1		
72	875 - 631	FEED SPRING	1		
73	872 - 916	KNOCK PIN	2		
74	876 - 612	MAGAZINE PRIMARY ASS'Y	1	INCLUD.73	
75	876 - 613	COLLAR	1		
76	949 - 707	BOLT M5X10 (10 PCS.)	1		
77	876 - 611	MAGAZINE ASS'Y	1	INCLUD.2,60,61,63,64,70 - 76	
78		CAUTION PLATE	1	FOR EUROPE	
	797003	O-Ring kit			

STANDARD ACCESSORIES

NT 65AB

ITEM NO.	CODE NO.	DESCRIPTION	NO. USED	REMARKS
* 501	877-153	LUBRICANT OILER (30CC)	1	EXCEPT FOR USA
502	944-458	HEX. BAR WRENCH 4MM	1	
503	944-459	HEX. BAR WRENCH 5MM	1	
504	931-835	O - RING (P - 38)	1	
* 505	874-116	AIR SOCKET 6MM	1	EXCEPT FOR USA,EUROPE
* 506	875-769	PROTECTIVE GOGGLES	1	FOR EUROPE

OPTIONAL ACCESSORIES

ITEM NO.	CODE NO.	DESCRIPTION	NO. USED	REMARKS
* 601	874-116	AIR SOCKET 6MM	1	EXCEPT FOR USA
602	875-654	HOSE BAND D16	1	
603	875-655	VINYL HOSE ASS'Y	1	INCLUD.601,602
604	876-212	OIL FOR NAILER (1 LITER)	1	
605	876-762	SINGLE SHOT PARTS	1	
* 606	302-399	BIT GUIDE (C)	1	FOR AUS

* : ALTERNATIVE PARTS