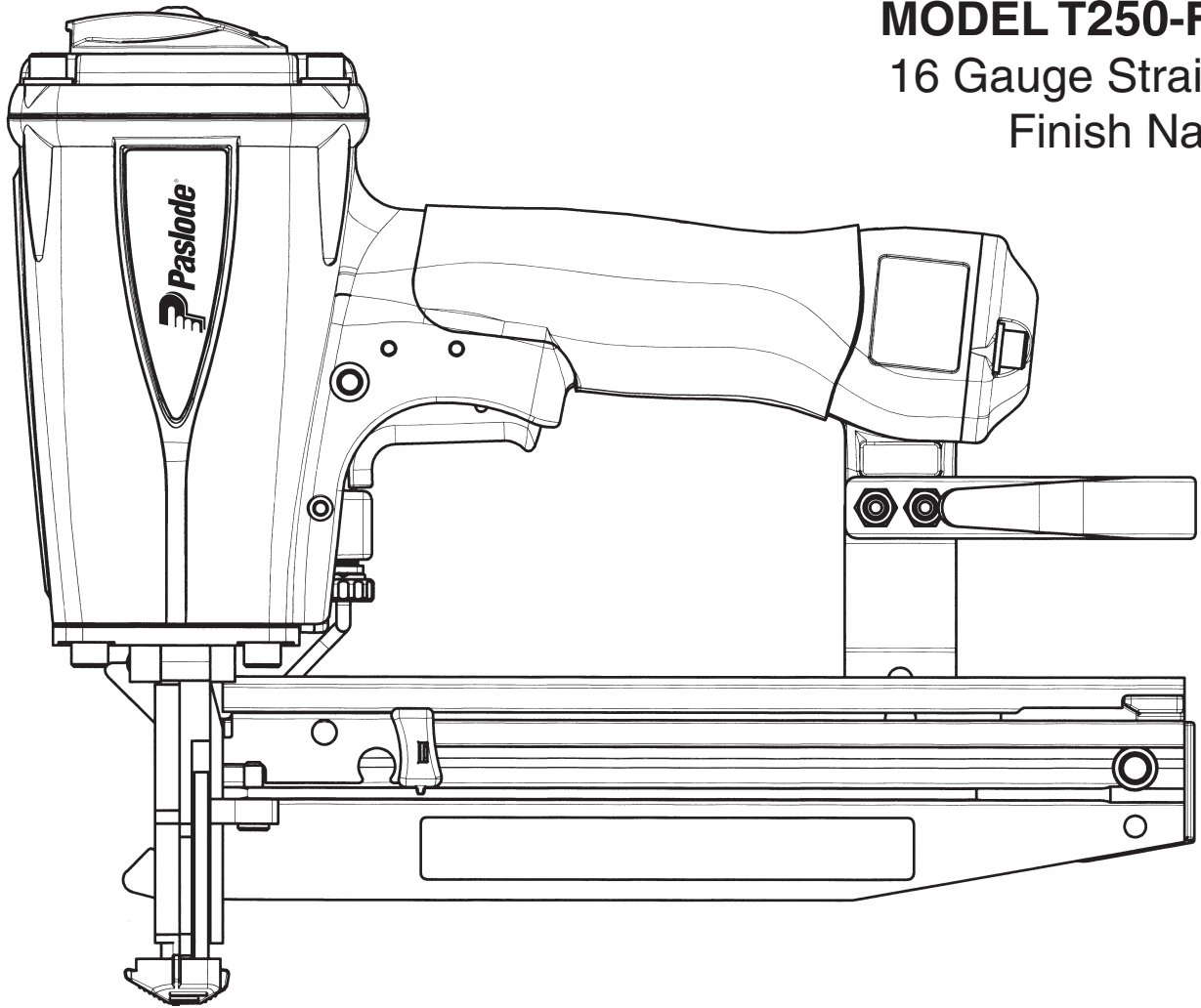




MODEL T250-F16
16 Gauge Straight
Finish Nailer



IMPORTANT!
DO NOT DESTROY

It is the customer's responsibility to have all operators and service personnel read and understand this manual.

**OPERATING MANUAL AND
SCHEMATIC**

TOOL AND FASTENER SPECIFICATIONS

TOOL SPECIFICATIONS

MODEL NO.	T250-F16 (Part# 500970)
HEIGHT	10"
WIDTH	3-1/8"
LENGTH	12"
WEIGHT	4lbs. 2oz.
OPERATING PRESSURE	80 to 120 p.s.i. (5.5 to 8.3 bars)

FASTENER SPECIFICATIONS

NAIL LENGTH	3/4" - 2-1/2"
SHANK DIAMETER	16 gauge

TOOL AIR FITTINGS:

This tool uses a 1/4" N.P.T. male plug. The inside diameter should be .28" (7mm) or larger. The fitting **must** be capable of discharging tool air pressure when disconnected from the air supply.

OPERATING AIR PRESSURE:

80 to 120 p.s.i. (5.5 to 8.3 bars). Select the operating air pressure within this range for best tool performance.

DO NOT EXCEED THIS RECOMMENDED OPERATING PRESSURE.