

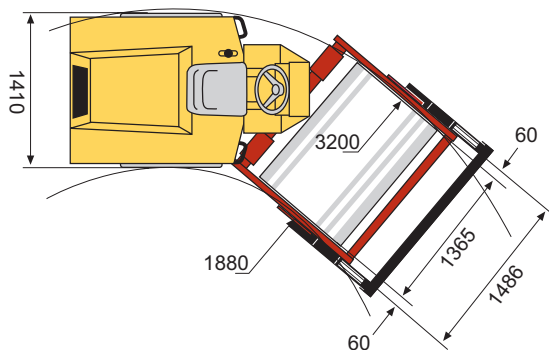
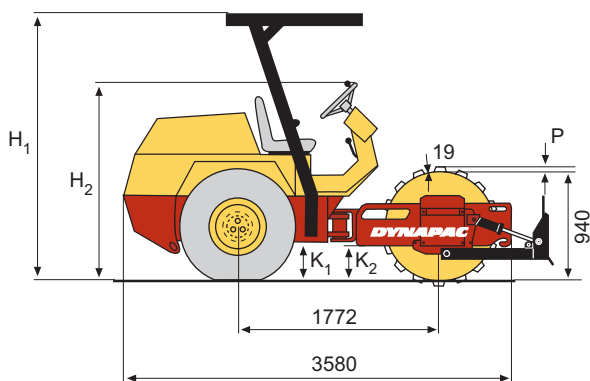
DYNAPAC

CA121

Single Drum Soil Compactor



Technical data



Masses (kg)	CA121 D	CA121 PD
Max. operating mass	4 400	5 000
Operating mass (incl. ROPS)	4 150	4 500
Front module mass	1 750	1 850
Rear module mass	2 400	2 650

Traction	CA121 D	CA121 PD
Speed range (km/h)	0 - 6	0 - 6
Number of pads	-	72
Pad area (cm ²)	-	53
Vertical oscillation (°)	±10	±10
Steering angle (°)	±33	±33
Tyre size (8 ply)	13,5x16,1	13,5x16,1
Theor. gradeability (%)	113	104

Compaction	CA121 D	CA121 PD
Static linear load, front/rear (kg/cm)	12,8	-
Nominal amplitude (mm)	1,4	1,3
Vibration frequency (Hz)	32	32
Centrifugal force (kN)	54	59

Dimensions (mm)	CA121 D	CA121 PD
H ₁	2 340	2 370
H ₂	1 626	1 702
K ₁	203	203
K ₂	305	350
P	-	76

Engine	
Model	John Deere 3029 TF
Type	Water cooled turbo Diesel
Rated power, SAE J1995, at 2500 rpm, kW (hp)	53 (72)
Fuel tank capacity (l)	106

Hydraulic system	
Driving	Axial piston pump with variable displacement and servo. Radial piston motor with variable displacement (drum). Radial piston motors (2) with constant displacement (wheel).
Vibration	Axial piston pump with variable displacement.
Steering	Gear pump with constant displacement.
Service brake	Hydrostatic in forward and reverse levers.
Parking/	
Emergency brake	Failsafe multidisc brake in drum and rear wheels.

Dynapac Compaction Equipment AB, Box 504, SE-371 23 Karlskrona, Sweden, Phone: +46 455 30 60 00, Fax: +46 455 30 60 30

We reserve the right to change specifications without notice. Photos and illustrations do not always show standard versions of machines.
The above information is a general description only, is not guaranteed and contains no warranties of any kind.

www.dynapac.com