

DYNAPAC

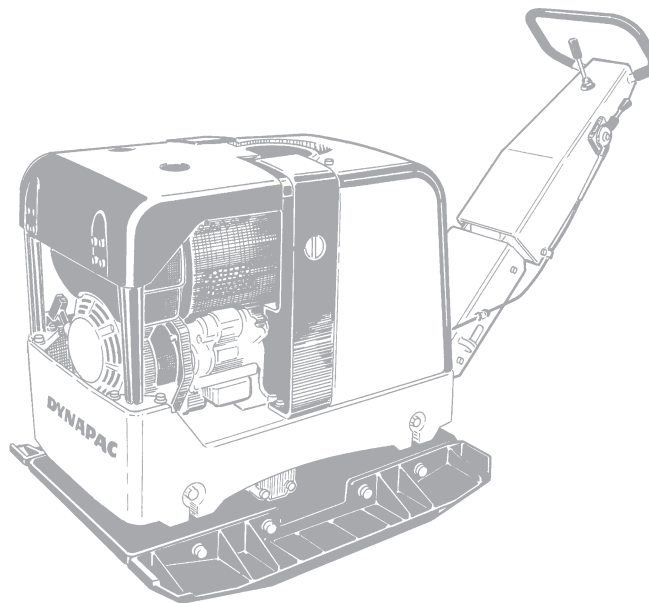
Forward and Reversible Vibrating Plates LH300

Operation & Maintenance ILH300EN5, March 2004

**Petrol Engine:
LH300: Honda GX270**

**Diesel Engine:
LH300: Hatz 1B30**

These instructions apply from:
LH300 PIN (S/N) *30030135* Honda
LH300 PIN (S/N) *30030130* Hatz



The Dynapac LH300 forward and reversible plate compactors are heavy-duty plates for soil applications, ideally used for compaction of backfill in pipe and cable trenches, as well as road repair and maintenance work.

They are fully hydraulic, which greatly improves the engine plate's devibration.

The LH design includes a strong cover that withstands severe shock and also protects all vital parts of the machine. The engine cover is foldable for easier access and service. The LH plates are designed for operation in well ventilated spaces, as all combustion engine machines.

CONTENTS

	Page
General	3
Machine plate	3
Safety instructions (For all Light products)	4-6
Safety when driving	7
Safety decals, Location/Description	8, 9
Fuel and lubricants	10
Technical data	11
Technical data – Dimensions	12
Handle position	13
Handle adjustments	14
Operation – Honda GX270, manual start	15, 16
Operation – Hatz 1B30, manual start	17, 18
Operation – Hatz 1B30, El.start	19, 20
Operation	21
Lifting and transportation	22
Lifting	22
Maintenance – sevice points	23, 24
Maintenance – Every 10 hours of operation	25
Maintenance – Every 100 hours of operation	26
Maintenance – Every 500 hours of operation	27
Maintenance – Every 1000 hours of operation	28

WARNING SYMBOLS

WARNING



WARNING Indicates danger or hazardous procedure that could result in serious or fatal personal injury if the warning is ignored.

CAUTION



CAUTION Indicates danger or hazardous procedure that could result in damage to machine or property if the warning is ignored.

WARNING



The safety instructions are included in this manual and must be studied by the operator. Always follow the safety rules and keep the manual available for future use.

WARNING



Read through the entire manual before starting any maintenance operations.

WARNING



Ensure good ventilation (air extraction) if the engine is run indoors.

CALIFORNIA

Proposition 65 Warning

Diesel engine exhaust and some of its constituents are known to the State of California to cause cancer, birth defects, and other reproductive harm.

GENERAL

It is important that the machine is maintained correctly to ensure proper function. It should be kept clean so that any leakage, loose bolts and loose connections can be discovered in time.

Make a habit of inspecting the machine every day before starting up by checking all round it to detect any sign of leakage or other faults.



SPARE A THOUGHT FOR THE ENVIRONMENT!

Do not let oil, fuel and other environmentally hazardous substances contaminate the environment. Always dispose of used filters, drained oil and any remaining fuel properly.

This manual contains instructions for periodic attention which should normally be carried out by the operator.

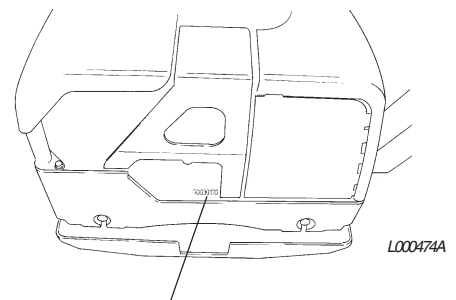
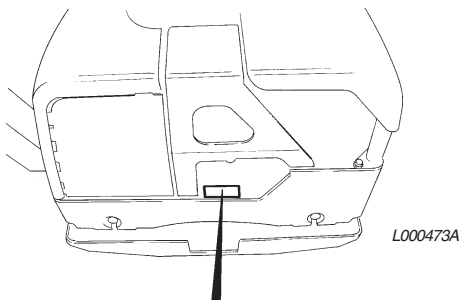
CAUTION



There are additional instructions relating to the engine, for which the manufacturer's instructions are detailed in the engine manual.

MACHINE PLATE

Fill in all data below, when delivering and commissioning the machine.



DYNAPAC			
Metso Dynapac AB Box 504, SE-371 23 Karlskrona Sweden			
Type	Operating mass kg	Rated Power kW	Year of Mfg
Product Identification Number			
			358090SE

Serial number on frame

.....
Engine Model

.....
Engine Number

SAFETY INSTRUCTIONS (FOR ALL LIGHT PRODUCTS)

Symbols

The signal words WARNING and CAUTION used in the safety instructions have the following meanings:

WARNING



WARNING: Indicates danger or hazardous procedure that could lead to serious or mortal injury if the warning is neglected.

CAUTION



CAUTION: Indicates danger or hazardous procedure that could lead to machine or property damage if the warning is neglected.

Important rules for your safety

WARNING



The machine must not be modified without the prior consent of the manufacturer. Use only original parts. Use only the accessories recommended by Dynapac. If modifications not approved by Dynapac are carried out, these could result in serious injury to yourself or other personnel.

- These recommendations are based on international safety standards. You must also observe any local safety regulations which may be in force. Read all instructions carefully before operating the machine. Keep the instructions in a safe place.
- Signs and stickers giving important information about safety and maintenance are supplied with every machine. Make sure that they are always legible. The ordering numbers for new stickers can be found in the spare parts list.
- Use of the machine and its accessories is restricted to the applications specified in the product literature.
- For reasons of product safety, the machine must not be modified in any way.
- Replace damaged parts immediately. Replace all wear parts in good time.

Be alert

Always pay attention to what you are doing, and use your common sense. Do not use the machine if you are tired or under the influence of drugs, alcohol or other substances which can affect your vision, reaction ability or judgement.

Safety equipment

WARNING



Long exposure to loud noise without ear protectors can cause permanent damage to hearing.

WARNING



Long exposure to vibrations can damage the hands, fingers and wrists. Do not use the machine if you experience discomfort, cramp or pain. Consult a doctor before resuming work with the machine.

Always use approved safety equipment. The operator, and people in the immediate vicinity of the working area, must wear:

- Safety helmet
- Safety goggles
- Ear protectors
- Dust mask in dusty environments
- High-visibility clothing
- Protective gloves
- Protective shoes

Avoid wearing loosely fitting clothing that might get caught in the machine. If you have long hair, cover it with a hair net. Vibrations from hand-held machines are transmitted into the hands via the handles of the machine. Dynapac's machines are equipped with vibration-relieved handles. Depending on operation, the course and duration of exposure, the recommended limit values for hand and arm vibration can be exceeded. Take suitable measures as required, eg, wear protective gloves, and do not vibrate already compacted material.

Be alert to acoustic signals from other machines in the working area.

Working area

Do not use the machine near flammable material or in explosive environments. Sparks can be emitted from the exhaust pipe, and these can ignite flammable material. When you take a pause or have finished working with the machine, do not park it on or near flammable materials. The exhaust pipe can get very hot during operation, and can cause certain material to ignite. Make sure that there are no other personnel inside the working area while the machine is in use. Keep the worksite clean and free of extraneous objects. Store the machine in a safe place, out of unauthorized's reach, preferably in a locked container.

SAFETY INSTRUCTIONS (FOR ALL LIGHT PRODUCTS)

Filling with fuel (Gasoline/diesel)

WARNING



Petrol has an extremely low flash-point and can be explosive in certain situations. Do not smoke. Make sure that worksite ventilation is good.

Keep away from all hot or spark-generating objects when handling fuel. Wait until the machine has cooled before filling the tank. Fill the tank at least 3 metres away from where you intend to use the machine. Avoid spilling petrol, diesel or oil on the ground. Protect your hands from contact with petrol, diesel and oil.

Open the tank cap slowly to release any overpressure that might exist in the tank. Do not overfill the tank. Inspect the machine for fuel leakage regularly.

Do not use a machine that is leaking fuel.

Starting the machine

WARNING



Before starting read instruction book and make your self familiar with the machine and make sure that:

- All handles are free from grease, oil and dirt.
- The machine does not show any obvious faults.
- All protective devices are securely fastened in their places.
- All control levers in "neutral" position.

Start the machine according to the instruction-book.

Operation

WARNING



Keep your feet well clear of the machine.

WARNING



Do not operate the machine in poorly ventilated spaces. There is a risk of carbon monoxide poisoning.

Use the machine only for the purpose for which it is intended. Make sure you know how to stop the machine quickly in the event of an emergency situation.

WARNING



Always take extreme care when driving the machine on slopes. Always drive straight up and down on slopes. Do not exceed the maximum gradability of the machine according to the instruction book. Stay clear of machine when operating on a slope or in a trench.

Do not touch the engine, the exhaust pipe or the eccentric element of the machine. They gets very hot during operation and can cause burn injuries.

Do not touch V-belts or rotating parts during operation.

Parking

Park the machine on ground as level and firm as possible. Before leaving machine:

- Apply the parking brake.
- Shut off the engine and pull the ignition key out.

Loading/Unloading

WARNING



Never remain under or in the immediate vicinity of the machine when it is lifted by a crane. Only use marked lifting points. Always make sure that all lifting devices are dimensioned for the weight of the products.

Maintenance

Maintenance work must only be carried out by skilled personnel. Keep unauthorized persons away from the machine. Do not carry out maintenance work while the machine is moving or the engine is running.

SAFETY INSTRUCTIONS (FOR ALL LIGHT PRODUCTS)

Working with the hydraulic system

Regular maintenance of the hydraulic system is important. Minor damage or a split hose or coupling can have devastating consequences. Bear in mind that the hydraulic hoses are made of rubber and can deteriorate with age, which can result in splitting. In all cases of uncertainty with regard to durability or wear, replace the hoses with new original hoses from Dynapac.

Working with battery

The battery contains poisonous and corrosive sulphuric acid. Wear protective glasses and avoid getting acid on your skin, clothes or on the machines. If you get sulphuric acid on yourself, rinse the skin with water. If you get acid in your eyes, rinse them with water for at least 15 minutes and seek immediate medical treatment. The gas that is emitted by the battery is explosive. When fitting or replacing a battery, always take care so that you do not short-circuit the battery poles.

Repair

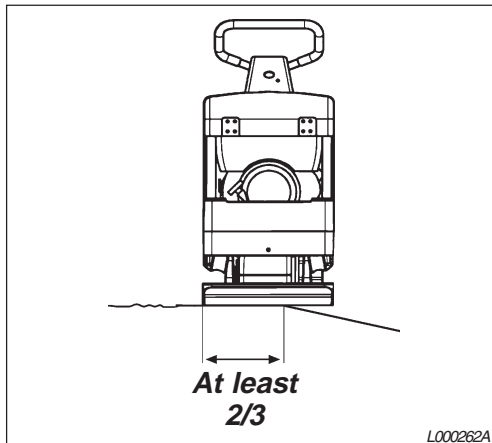
Never use a machine that is damaged. Qualified repair work requires trained personnel, please contact your nearest authorized workshop.

Extinguishing fires

If there is a fire in or on the machine, it is best to use an ABE-class fire extinguisher. However, a BE-class CO₂ extinguisher is also suitable.

SAFETY WHEN DRIVING

Driving near an edge



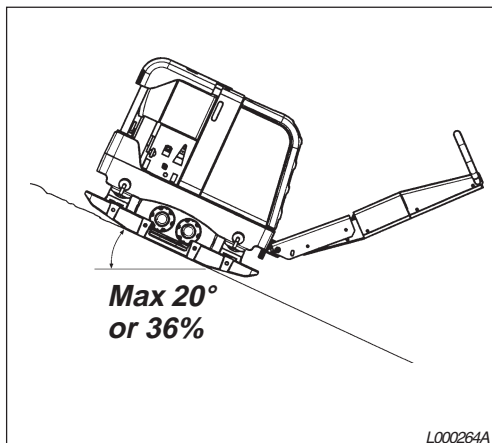
Machine location when operating on edges

When driving near an edge, at least two thirds of the plate must be on firm solid ground.

WARNING



If the machine tips over, switch off the engine before attempting to lift the machine.



Driving on slopes

Make sure that the work site is safe. Wet and loose earth reduces manoeuvrability especially on sloping ground. Always observe particular caution on sloping and uneven terrain.

WARNING



Where possible, avoid all driving across a slope. Instead, drive up and down on sloping ground.

Never work on slopes that are greater than the capability of the machine. Maximum slope of the machine in operation is 20° (depending on condition of the ground).

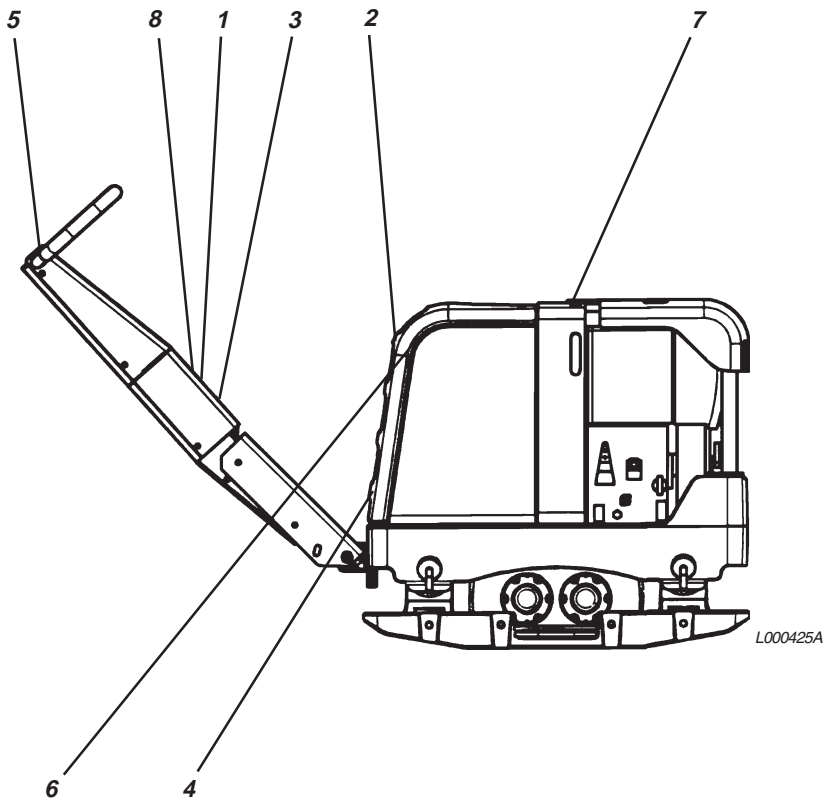
Be careful when driving on slopes. Remember that loose ground, vibration switched ON, and driving speed can all cause the machine to topple even on a smaller slope than specified here.

WARNING



Never leave the machine unattended with the engine running.

SAFETY DECALS, LOCATION/DESCRIPTION



L000425A

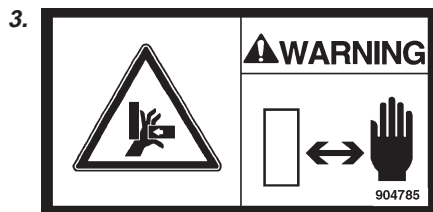
SAFETY DECALS, LOCATION/DESCRIPTION



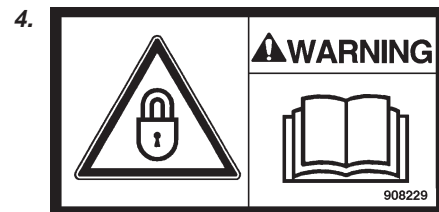
The operator must read the safety manual, and the operation and maintenance instructions before using the machine.



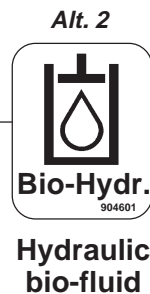
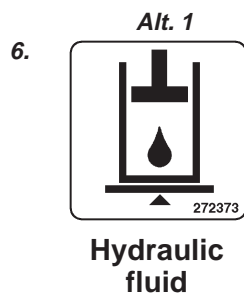
Warning for rotating engine components. Keep your hands at a safe distance from the danger zone.



Warning - Crush zone. Keep your hands at a safe distance from the danger zone.



Lock the handle during transport.



FUEL AND LUBRICANTS



ENGINE OIL

Use SAE 15W/40:
 Honda GX270 1,1 l (1.2 qts) Shell Universal Engine Oil 15W-40
 Hatz 1B30 1,1 l (1.2 qts) Shell Universal Engine Oil 15W-40



RAMMING CYLINDER OIL

Use SAE 15W/40:
 Volume: 0,5 l (0.5 qts) Shell Universal Engine Oil 15W-40



HYDRAULIC FLUID

Hydraulic fluid, recommendations:
 Volume: 18,0 l (4.8 gal) Shell Tellus TX68



BIODEGRADABLE HYDRAULIC FLUID

Shell Naturelle HF-E46
 On delivery from the factory the machine may have been filled with biodegradable fluid. Always use the same type of oil when changing or topping off.



FUEL

Honda
 Use ordinary grade petrol (unleaded)
 Volume: Honda GX270 6,0 l (6.3 qts)



FUEL

Hatz
 Use diesel oil which satisfy EN 590 or DIN 51601
 Volume: Hatz 1B30 5,0 l (5.3 qts)

WARNING



Stop the engine before refilling the fuel tank. Never refuel near an open flame or sparks, which could start a fire. Don't smoke. Use pure fuel and clean filling equipment. Take care not to spill fuel.

Service parts P/N

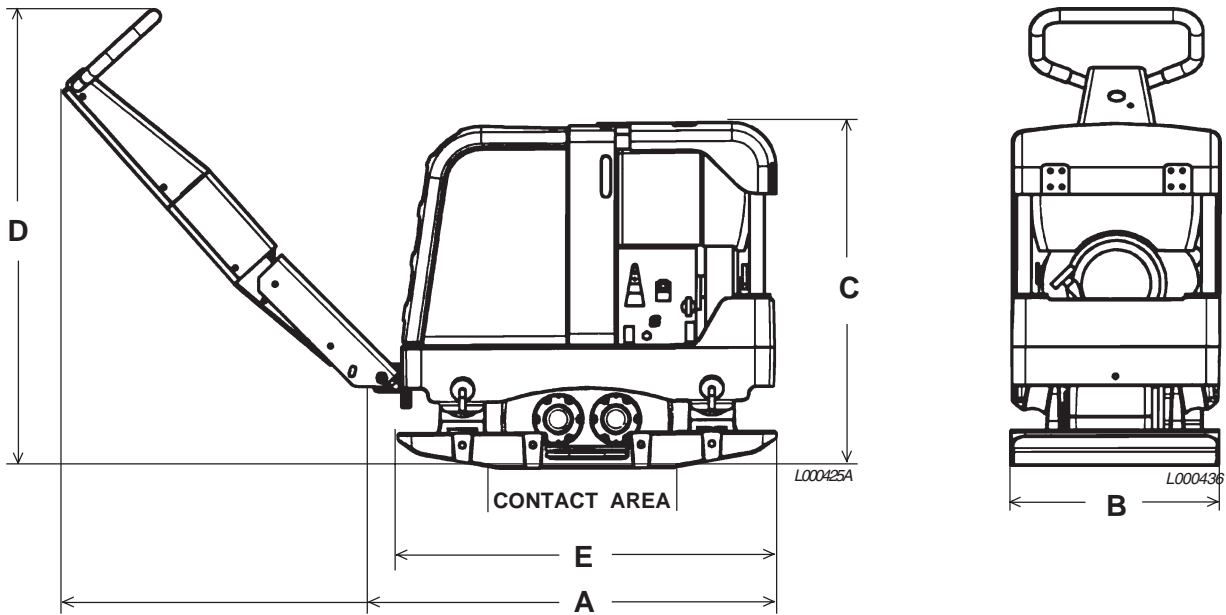
	Honda GX270	Hatz 1B30
Engine air filter element	93 74 99	93 70 13
Engine oil filter	-	93 74 15
Engine fuel filter	23 82 62	93 74 14
Hydraulic filter	28 41 79	28 41 79
Hydraulic filter, biodegradable. oil	38 15 51	38 15 51

TECHNICAL DATA

	LH300 Honda	LH300 Hatz Man.	LH300 Hatz El.
Weight			
Operating weight EN500, kg (lbs)	325 (716)	333 (734)	352 (776)
Compaction data			
Vibr. frequency, Hz	68	68	68
Vibr. frequency, vpm	4080	4080	4080
Centrifugal force, kN (lbf)	40 (9.000)	40 (9.000)	40 (9.000)
Amplitude, mm (in)	1,9 (0.075)	1,9 (0.075)	1,9 (0.075)
Operating data			
Speed of travel, m/min (feet/min)	up to 22 (72)	up to 22 (72)	up to 22 (72)
Max. tilt, %	35	35	35
Volumes			
Fuel tank, lit. (qts)	6,0 (6.3)	5.0 (5.3)	5.0 (5.3)
Crank case, lit. (qts)	1.1 (1.2)	1.1 (1.2)	1.1 (1.2)
Hydraulic fluid, lit. (gal)	18,0 (4.8)	18,0 (4.8)	18,0 (4.8)
Eccentric element, lit. (qts)	0.5 (0.5)	0.5 (0.5)	0.5 (0.5)
Fuel consumption, l/h (qts/h)	1.5 (1.6)	1.5 (1.6)	1.5 (1.6)
Engine			
Model	Honda GX270 Recoil	Hatz 1B30 Recoil	Hatz 1B30 El. start/Recoil
Output, kW (hp)	6.6 (8.8)	5.0 (6.7)	5.0 (6.7)
Engine speed, rpm	3500	3500	3500
Noise and Vibrations			
The following sound and vibration levels are determined in accordance with the operating cycle described by EU directive 2000/14/EC.			
Guaranteed acoustic power level L_{wA} dB (A)	108	108	108
Sound-pressure level at the operator's ear (ISO 6396) L_{pA} dB (A)	92	95	95
Hand and arm vibration (ISO 5349-1) a_{hv} m/s ²	1,5	2,4	2,4

During operation these values may differ because of the actual operational conditions.

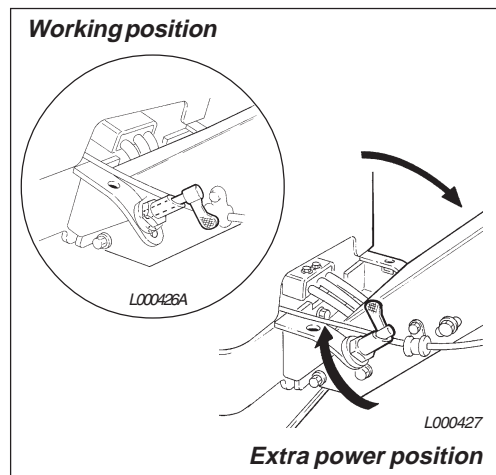
TECHNICAL DATA – DIMENSIONS



	LH300
A mm (inch)	1430 (56)
B mm (inch)	450 (18)
C mm (inch)	720 (28)
D mm (inch)	1090 (43)
E mm (inch)	820 (32)
Contact area, m ² (sq feet)	0,173 (1.86)

Accessories	LH300
Extension plates Width, mm (inch)	2x75= 150 (2x3= 6) / 2x125= 250 (2x5= 10)
Weight, kg (lbs)	9.2 (20) / 13.6 (30)
Contact area, m ² (sq feet)	Width 150 (6): 0.231 (2.49) Width 250 (10): 0.270 (2.91)

HANDLE POSITION



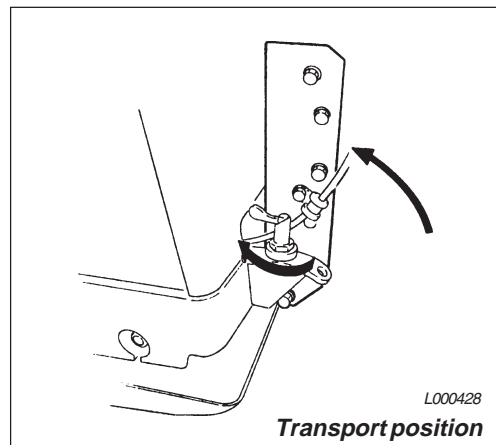
1. Working/Extra power positions:

The handle has two operating positions. The normal working position is with the locking device unlocked, so the handle can move freely. The extra power position, with the locking device in the lower locked position, is used to get power and control on wet and very soft materials.

WARNING



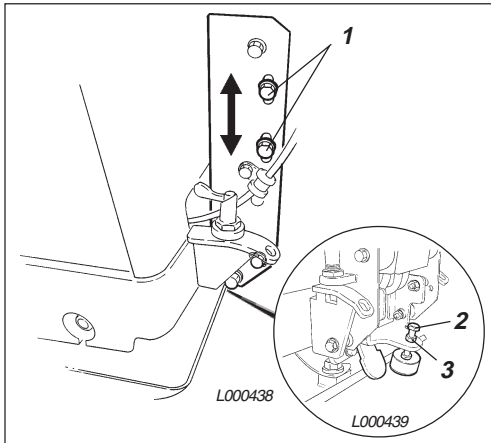
Hold the handle while releasing the catch. There are two catches, one on each side of the handle.



2. Transport position:

When transporting the machine, turn and lift the locking device and raise the handle to the upper position. Always lock the handle when transporting the machine.

HANDLE ADJUSTMENTS



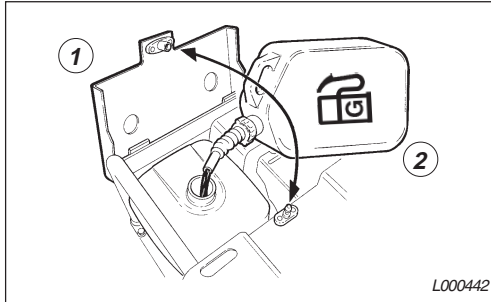
1. Stiffness adjustment bolt
2. Angle adjustment bolt
3. Lock nut

Handle stiffness can be adjusted by loosening the bolts (1). The flex of the shock absorbers can be adjusted by moving the pins outward for a stiffer handle with more control, or inward for a softer but more de-vibrated handle.

The operation angle of the handle can be adjusted by loosening the bolt (2) and tightening it in desired position. Loosen the bolt and lock nut (3) and pull them to the desired position.

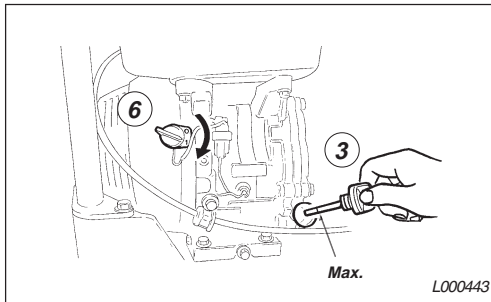
OPERATION – HONDA GX270, MANUAL START

Before start

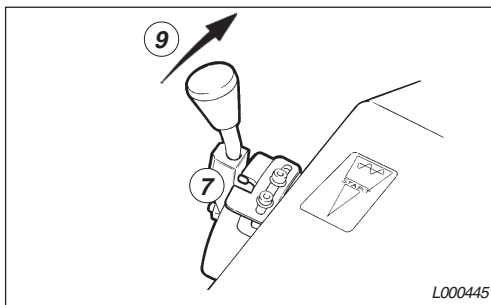
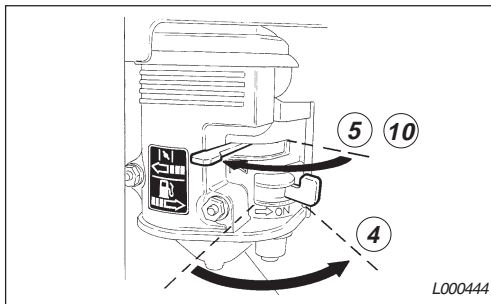


1. Open upper cover by pulling it forward.
2. Fill the fuel tank. Tank volume 6.0 lit. (6.3 qts)

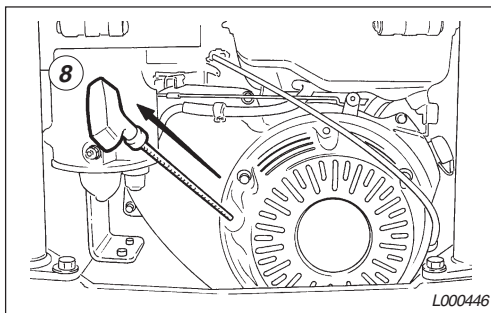
Starting the engine



3. Check the engine oil level.
Oil volume 1.1 lit. (1.2 qts)
4. Set the fuel handle at open position.
5. Move the choke lever to the left for full choke.
Do not use the choke if the engine is warm or ambient temperature is high.
6. Turn the start button to start the engine.



7. Set the throttle in starting mode, indicated by the forward position of the recess.



8. Pull out the handle slowly to the point where you feel resistance, then pull briskly. Then return the handle to its initial position.

WARNING

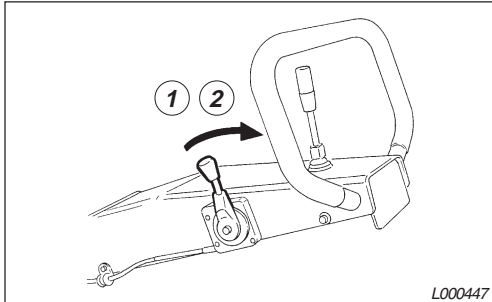


9. **When you start the engine, leave it in neutral a few minutes and warm up with no load. The plate begins to move when you apply hydraulic power by giving full throttle.**

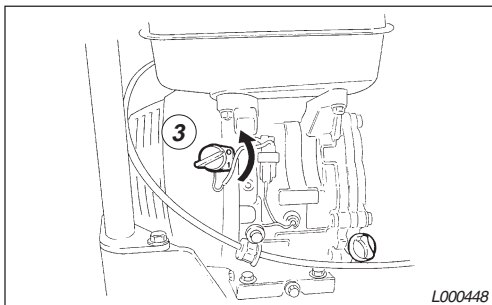
10. As the engine warms up, gradually move the choke lever to the right to disable choke.

OPERATION – HONDA GX270, MANUAL START

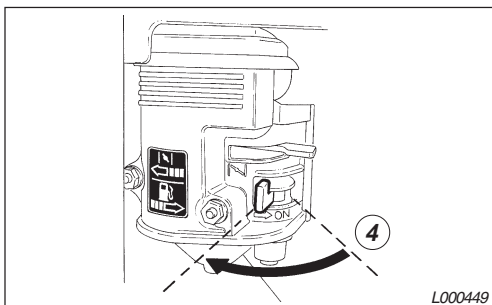
Stopping the engine



1. Put the throttle in neutral. Let engine run a few minutes.
2. Throttle in stop position.



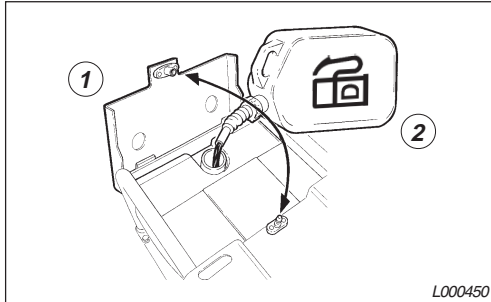
3. Turn the stop button to stop the engine.



4. Close the fuel handle.

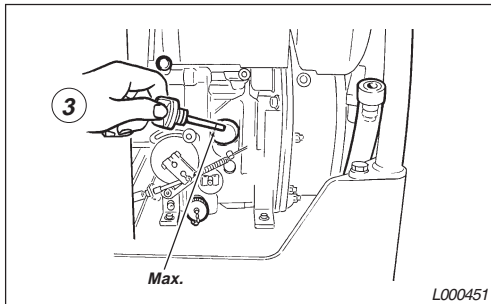
OPERATION – HATZ 1B30, MANUAL START

Before start

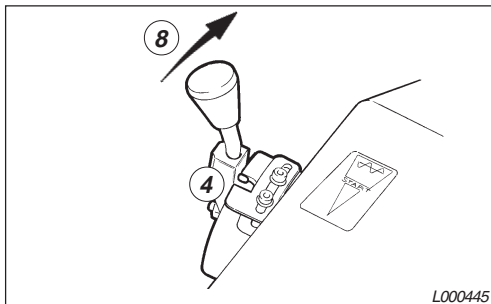


1. Open upper cover by pulling it forward.
2. Fill the fuel tank. Tank volume 5.0 lit. (5.3 qts)

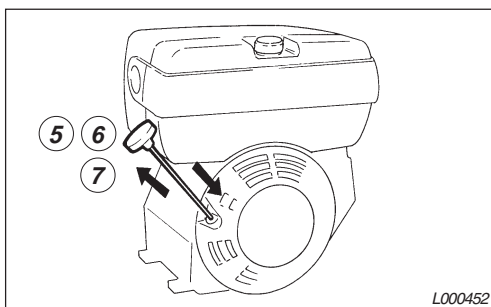
Starting the engine



3. Check the engine oil level.
Oil volume 1.1 lit. (1.2 qts)



4. Set the throttle in starting mode, indicated by the forward position of the recess.



5. Pull the starting cable out by the handle until you feel a slight resistance. Let the cable run back; in this way the entire length of the starting cable can be used to start the engine.
6. Grip the handle with both hands.
7. Begin pulling the starting cable vigorously and at an increasing speed (do not jerk it violently) until the engine starts.

CAUTION



If after several attempts at starting the exhaust begins to emit white smoke, move the speed control lever to the stop position and pull the starting cable out slowly 5 times. Repeat the starting procedure.

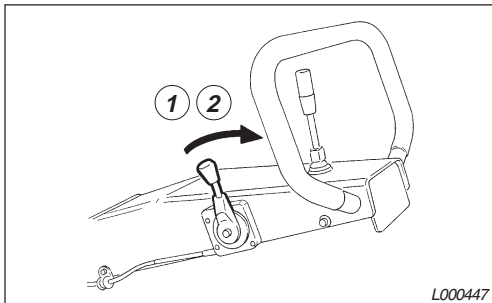
WARNING



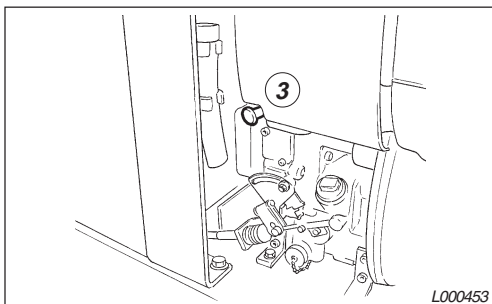
8. When you start the engine, leave it in neutral a few minutes and warm up with no load. The plate begins to move when you apply hydraulic power by giving full throttle.

OPERATION – HATZ 1B30, MANUAL START

Stopping the engine



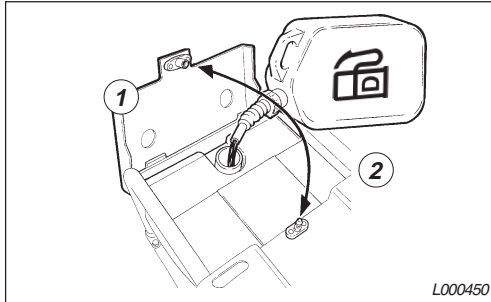
1. Put the throttle in neutral. Let the engine idle for a few minutes to cool down.
2. Put the throttle in stop mode.



3. Push the engine switch to OFF.

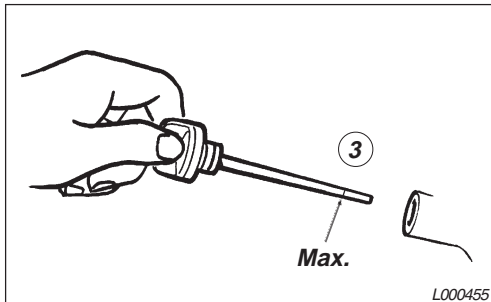
OPERATION – HATZ 1B30, EL.START

Before start

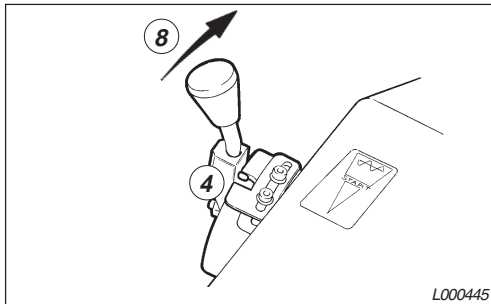


1. Open upper cover by pulling it forward.
2. Fill the fuel tank.
Tank volume: 5.0 lit. (5.3 qts)

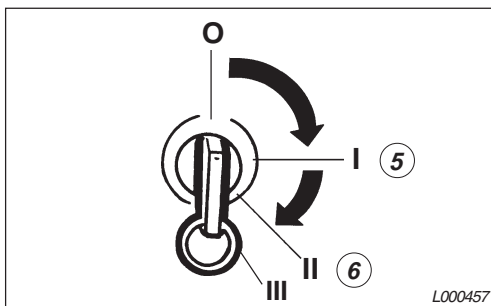
Starting the engine



3. Check the engine oil level.
Oil volume: 1.1 lit. (1.2 qts)



4. Set the throttle in starting mode, indicated by the forward position of the recess.



5. Insert the starter key and turn it to position I. Charging and oil pressure indicators light up.
6. Turn the starter key through position II to III. Release the key as soon as the engine runs.

CAUTION



Ensure that the key stays at mode II.

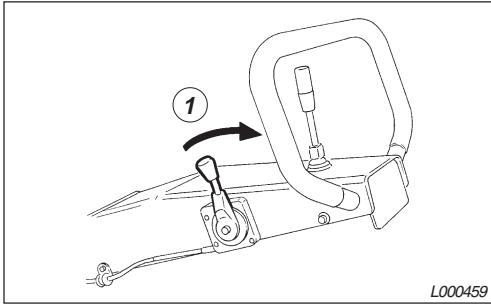
CAUTION



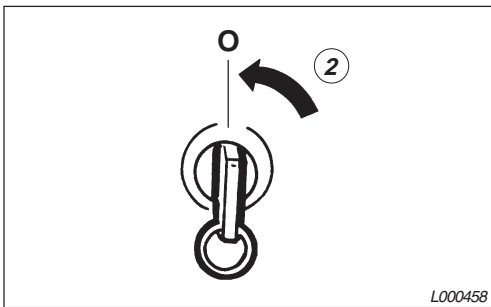
The charging and oil pressure lamps must be extinguished during normal operation. If the lamps do not go out, stop the machine and take corrective action.

OPERATION – HATZ 1B30, EL.START

Stopping the engine



1. Throttle in stop position.



2. Turn the starter key to position **O** and remove it. All indicator lights must go out.

CAUTION



The ignition key must be turned to **O**, or else the machine will consume electric power.

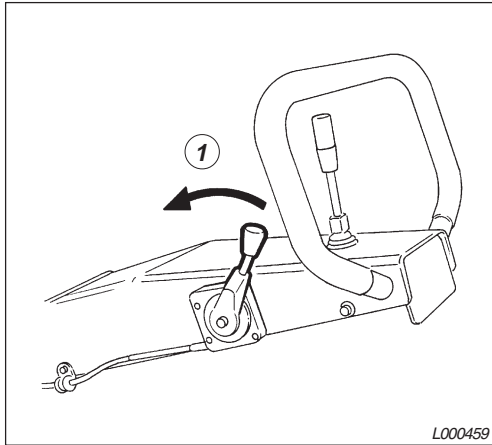
WARNING



Always remove the key when you leave the machine, and keep it in a safe place. This will make it difficult for any unauthorized person to start and drive the machine.

OPERATION

Operating



1. Open throttle fully.

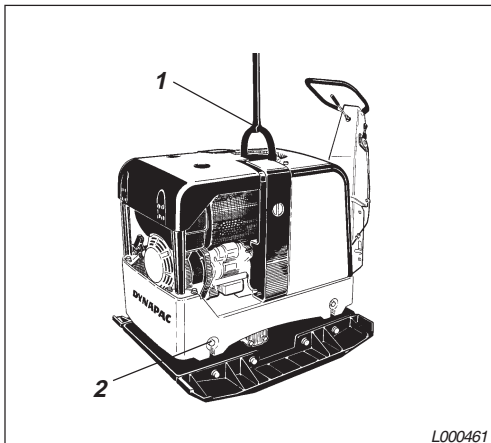
CAUTION



During compaction work the engine must always run at full throttle.

LIFTING AND TRANSPORTATION

Lifting



WARNING



Never walk or stand under a hoisted machine.

CAUTION



Use only the frame lifting hook (1) to lift the machine.

CAUTION



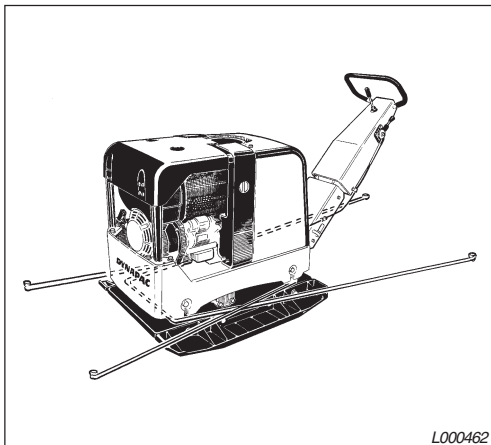
All lifting devices must be dimensioned to meet all regulations. Before lifting, check that shock absorbers (2) and protecting frame are correctly attached and not damaged.

WARNING



The operating mass is printed on the machine plate, see page 3. Add weight of extensioners if mounted.

Transportation



WARNING



Always secure the machine firmly during all transportation. Place lashing band in a U shape around the bottom plate and secure both front and rear.

MAINTENANCE – SERVICE POINTS

1. Fuel tank
2. Intake filter
3. Air filter
4. Engine oil filter
5. Oil dipstick
6. Fuel filter
7. Battery (if electr. start)
8. Oil drain plug
9. Eccentric element, level/drain plug
10. Hydraulic reservoir
11. Hydraulic filter
12. Hose for oil drainage

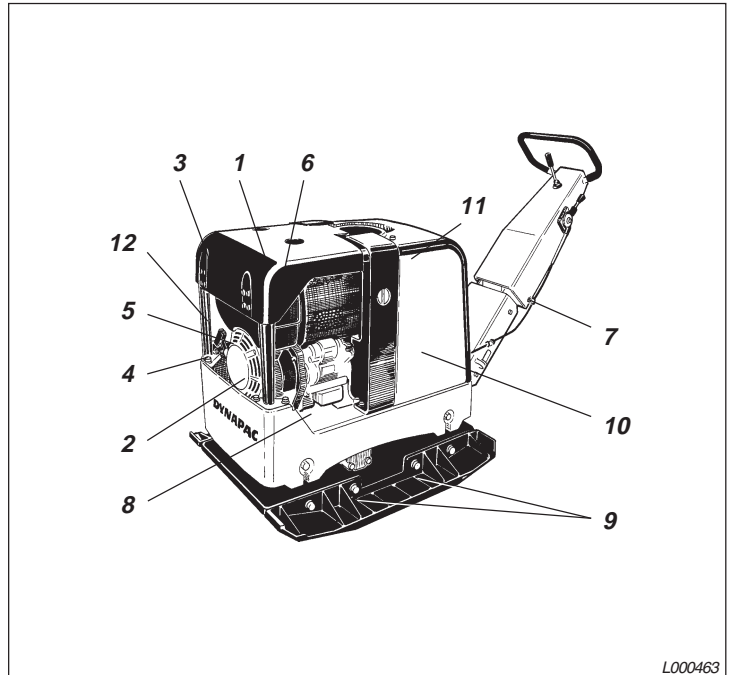


Fig. 1

L000463

Every 10 hours of operation / Daily

Item in fig.1	Maintenance	see page	Comments
1	Check and replenish fuel	15/17/19	
5	Check and replenish engine oil	25	
	Check for oil leakage		
	Check and tighten engine parts	25	
2	Clean / replace air cleaner elements		

The first 20 hours of operation

Item in fig.1	Maintenance	see page	Comments
8	Change engine oil	26	
4	Clean / replace oil filter		See engine manual.
2	Clean / replace air cleaner elements		See engine manual.
	Check and adjust the engine valve clearance		See engine manual.

Monthly

Item in fig.1	Maintenance	see page	Comments
10	Check fluid level in hydraulic reservoir	26	

MAINTENANCE – SERVICE POINTS

WARNING



When removing the battery, always disconnect the negative cable first. When fitting the battery, always connect the positive cable first.



Dispose of the old battery in the approved environmentally suitable manner – batteries contain toxic lead.

CAUTION



Do not use a quick-charger when charging the battery. This may shorten the life of the battery.

Every 100 hours of operation

Item in fig.1	Maintenance	see page	Comments
8	Change engine oil	26	
2	Clean / replace air cleaner elements		See engine manual.

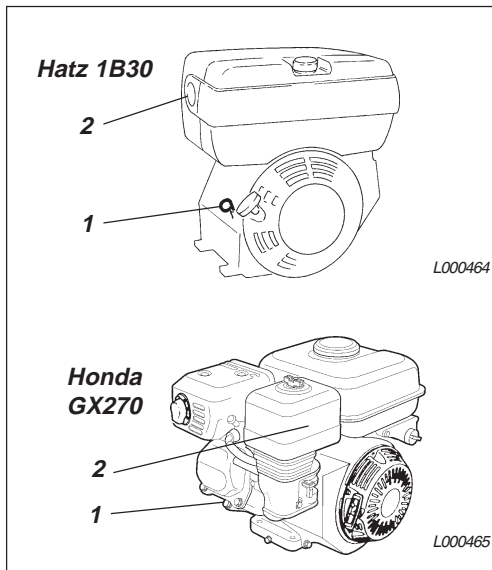
Every 500 hours of operation / Once a year

Item in fig.1	Maintenance	see page	Comments
8	Change engine oil	26	
4	Clean / replace oil filter		See engine manual.
2	Clean / replace air cleaner elements		See engine manual.
	Check fuel injection pump		See engine manual.
	Check fuel injection nozzle		See engine manual.
	Adjust valve head clearance for intake and exhaust valves		See engine manual.

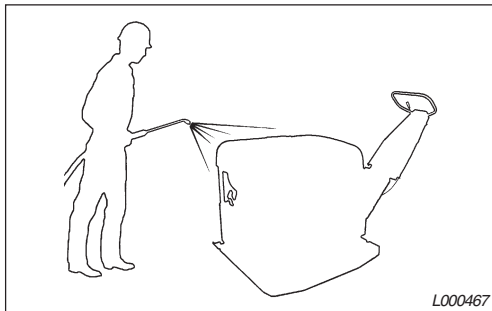
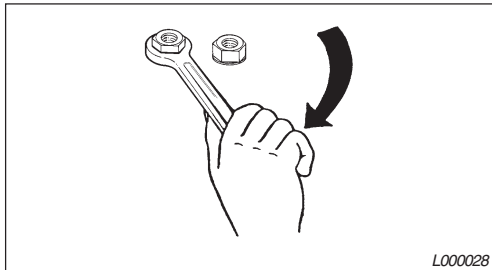
Every 1000 hours of operation

Item in fig.1	Maintenance	see page	Comments
9	Change eccentric element oil	28	
10, 11	Change hydraulic fluid and filter	28	
	Lap intake and exhaust valves		See engine manual.
	Replace piston rings		See engine manual.

MAINTENANCE – EVERY 10 HOURS OF OPERATION



1. Oil dipstick
2. Air cleaner



1. Check oil level in engine crankcase.
2. Check air cleaner.

We recommend reading the detailed engine instructions supplied with the machine.

3. Check and, where necessary, tighten screws and nuts.

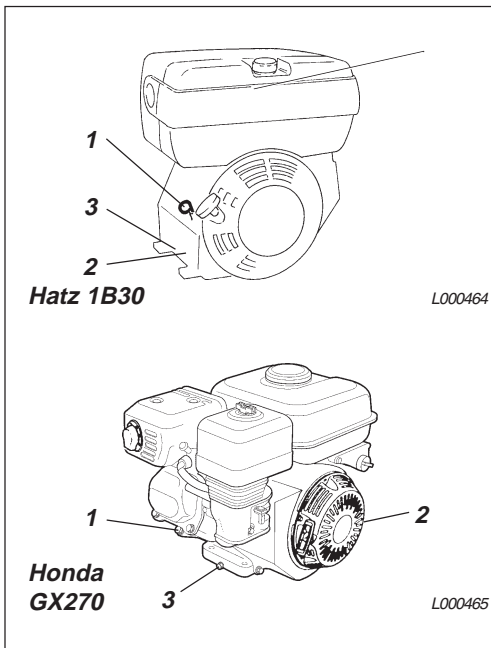
4. Keep machine clean.

CAUTION



When washing the machine, do not aim a jet of water directly at the fuel cap. This is especially important when using a high-pressure jet. Put a plastic bag over the filler cap of the fuel tank and secure with an elastic band.

MAINTENANCE – EVERY 100 HOURS OF OPERATION



1. Oil dipstick
2. Oil filter
3. Oil drain plug/drain hose

1. Change oil (first change after 20 hours, together with engine oil filter).

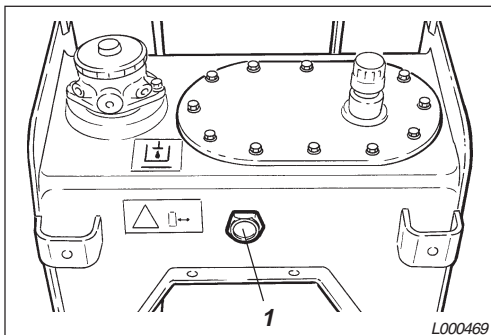
Honda GX270	1.1 lit. (1.2 qts)	SAE 15W/40
Hatz 1B30	1.1 lit. (1.2 qts)	SAE 15W/40

Use the accompanying hose to drain the oil.



Save the oil and dispose of it in an approved manner.

2. Lubricate controls.



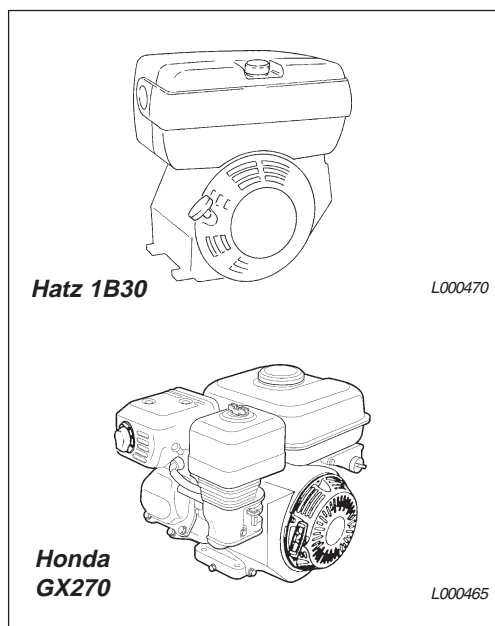
1. Sight glass

3. Check fluid level (1) in hydraulic reservoir.

18,0 lit. (4.8 gal) Shell Tellus TX68

Biodegradable oil:
Shell Naturelle HF-E46

MAINTENANCE – EVERY 500 HOURS OF OPERATION



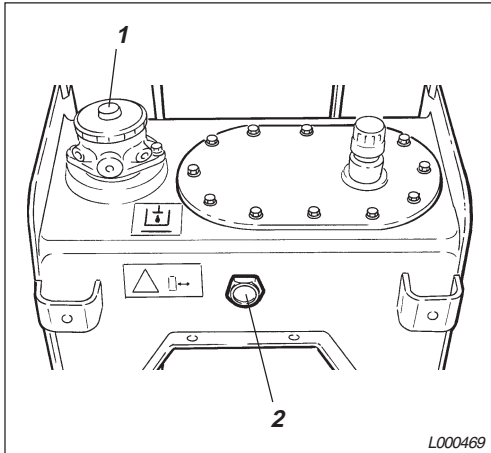
1. Replace fuel filter (See engine manual).
2. Change engine oil (See engine manual).
3. Replace oil filter (See engine manual).
4. Replace air cleaner element (See engine manual).



Save the oil and dispose of it in an approved manner. Also dispose of used oil filters properly.

MAINTENANCE – EVERY 1000 HOURS OF OPERATION

Changing hydraulic fluid / filter



1. Hydraulic filter
2. Sight glass

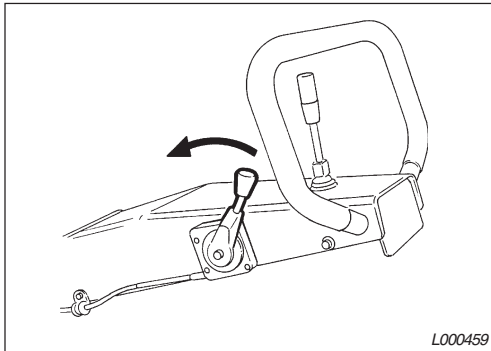
1. Remove the protecting cover.
2. Open hydraulic reservoir at filter and empty it by using a suitable pump.
3. Replace the hydraulic filter.



Save the oil and dispose of it in an approved manner. Also dispose of used oil filters properly.

4. Fill with fresh hydraulic fluid up to the sight glass level:
Volume: 18,0 lit (4.8) Shell Tellus TX68
Biodegradable oil: Shell Naturelle HF-E46
5. Replace the filter and all covers.

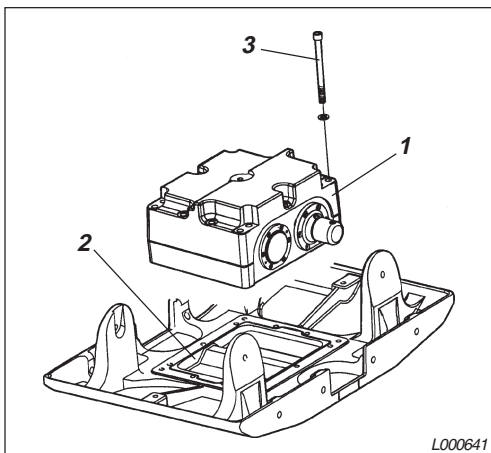
Lubricating of controls and wires



1. Remove old grease.
2. Lubricate all parts. Apply grease generously.

Recommended lubricant: Shell Alvania EP2.

Changing eccentric element oil



1. Eccentric element
2. Oli basin
3. Screws

Every 1000 hours or after a period of 3 years.

1. Dismount the eccentric element(1).
2. Clean the oil basin(2).
3. Refill with 0,5l oil.
4. Seal the surfaces between the eccentric element and the bottom plate with Loctite 574.
5. Torque the screws(3) crosswise dry to 320 Nm.

DYNAPAC

Dynapac Compaction Equipment AB
Box 504, SE-371 23 Karlskrona, Sweden
Phone: +46 455 30 60 00
Fax: +46 455 30 60 30
www.dynapac.com