

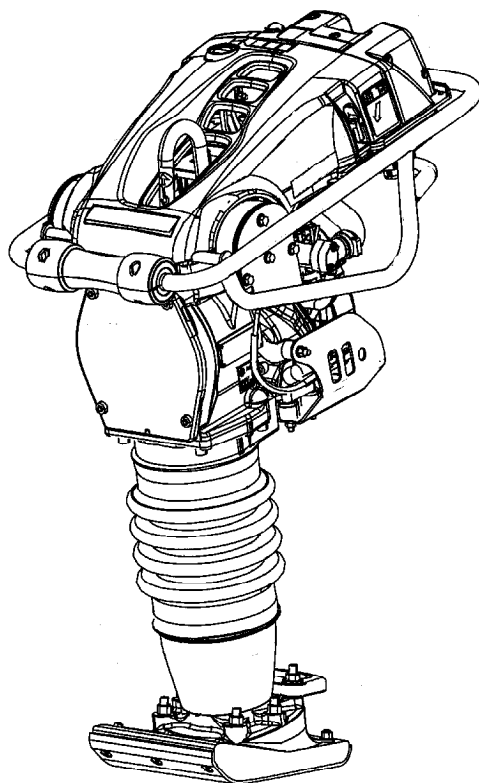
# Instruction manual

**ILT6004-1EN1.pdf**  
**Operation & Maintenance**

**Rammer**  
**LT6004**

**Petrol engine**  
**Honda GX100**

**Serial number**  
**\*76140001\*-**






## Table of Contents


Introduction .....	1
Warning symbols.....	1
Safety information .....	1
General .....	1
CE marking and Declaration of conformity.....	2
Safety - General instructions.....	3
Technical specifications - Noise/Vibrations/Electrical .....	7
Noise levels .....	7
Technical specifications - Dimensions .....	9
Technical specifications - Weights and volumes .....	11
Technical specifications - General .....	13
Machine plate - Identification .....	15
Machine plate.....	15
Machine specifications- Decals.....	17
Location of decals .....	17
Safety decals.....	18
Info-decals.....	18
The machine's range of applications .....	19
The machine's range of applications.....	19
Operation - Starting.....	21
Before starting, Honda .....	21
Starting the engine .....	22
Operation - Driving.....	23
Operating .....	23
Operating - Stopping.....	25
Stopping the engine .....	25
Miscellaneous .....	27
Lifting .....	27
Lifting/Towing .....	27
Transport .....	28

Transport.....	28
Long-term parking.....	29
Maintenance - Lubricants and symbols .....	31
Maintenance - Maintenance schedule .....	33
Service and service points .....	33
Every ten operating hours (Daily).....	34
After the first 20 hours of operation.....	34
Every 100 hours of operation .....	35
Every 500 hours of operation (Yearly) .....	35
Maintenance - 10h .....	37
Checking the engine, Honda.....	37
Checking bolted joint.....	37
Checking the oil level in the springloaded leg.....	38
Replacing the air filter .....	38
Cleaning the machine. ....	38
The first 20 hours of operation .....	39
Changing the engine oil .....	39
Replacing the air filter .....	39
Changing the oil in the springloaded leg.....	40
Maintenance - 100h .....	41
Changing the engine oil .....	41
Checking spark plug.....	41
Maintenance - 500h .....	43
Checking the engine, Honda.....	43
Replacing the air filter .....	43
Changing the engine oil .....	44
Changing the oil in the springloaded leg.....	44
Checking the main lock.....	45


## Introduction


### Warning symbols

 **WARNING !** Marks a danger or a hazardous procedure that can result in life threatening or serious injury if the warning is ignored.

 **CAUTION !** Marks a danger or hazardous procedure that can result in damage to the machine or property if the warning is ignored.

### Safety information

 **We recommend that the operator reads the safety instructions in this manual carefully. Always follow the safety instructions. Ensure that this manual is always easily accessible.**

 **Read the entire manual before starting the machine and before carrying out any maintenance.**

 **Ensure good ventilation (extraction of air by fan) where the engine is run indoors.**

### General

This manual contains instructions for machine operation and maintenance.

The machine must be correctly maintained for maximal performance.

The machine should be kept clean so that any leakages, loose bolts and loose connections are discovered at as early a point in time as possible.

Inspect the machine every day, before starting. Inspect the entire machine so that any leakages or other faults are detected.

Check the ground under the machine. Leakages are more easily detected on the ground than on the machine itself.



**THINK ENVIRONMENT !** Do not release oil, fuel and other environmentally hazardous substances into the environment. Always send used filters, drain oil and fuel remnants to environmentally correct disposal.

This manual contains instructions for periodic maintenance normally carried out by the operator.



Additional instructions for the engine can be found in the manufacturer's engine manual.

### **CE marking and Declaration of conformity**

(Applies to machines marketed in EU/EEC)

This machine is CE marked. This shows that on delivery it complies with the basic health and safety directives applicable for the machine in accordance with machinery directive 2006/42/EC and that it also complies with other directives applicable for this machine.

A "Declaration of conformity" is supplied with this machine, which specifies the applicable directives and supplements, as well as the harmonized standards and other regulations that are applied.

## Safety - General instructions

(Also read the safety manual)

### Symbols

The signal words WARNING and CAUTION used in the safety instructions have the following meanings:



**WARNING!** Indicates danger or hazardous procedure that could result in serious or mortal injury if the warning is disregarded.



Caution! Indicates danger or hazardous procedure that could result in damage to machinery or property if the warning is disregarded



### Important rules for your safety

**The machine may not be modified without the approval of the manufacturer.**

**Only use original parts.**

**Use only accessories recommended by Dynapac.**

**Modifications can result in serious injuries to yourself or others.**

- These recommendations are based on international safety standards. You must also observe any local safety regulations which may be in force. Read all instructions carefully before operating the machine. Keep the instructions in a safe place.
- Signs and stickers giving important information about safety and maintenance are supplied with every machine. Make sure they are legible. The ordering numbers for new stickers can be found in the spare parts list.
- Machines and accessories may only be used for their intended purpose.
- For reasons of product safety, the machine must not be modified in any way.
- Replace damaged and worn parts in good time.

**Always pay attention to what you are doing.**

**Use your common sense. Do not use the machine if you are tired or under the influence of drugs, alcohol or other substances which can effect your vision, reaction ability or judgement.**



### Safety equipment

**Long exposure to loud noise without ear protectors can cause permanent damage to hearing.**



**Long exposure to vibrations can damage the hands, fingers and wrists. Do not use the machine if you experience discomfort, cramp or pain. Consult a doctor before resuming work with the machine.**

Always use approved safety equipment.

The following requirements apply to operators and persons in the immediate vicinity of the work area.

- Safety helmet
- Safety goggles
- Ear protectors
- Dust mask in dusty environments
- High-visibility clothing
- Protective gloves
- Protective footwear

Avoid loose-fitting clothing which can get caught in the machine. If you have long hair, cover it with a hair net.

Vibrations from handheld machinery are transmitted to the hands via the handles. Dynapac machines feature a handle design that absorbs much of the vibration. Depending on the operation, ground conditions and exposure time, the recommended limits for hand/arm vibrations may be exceeded. Where necessary, take suitable measures such as wearing protective gloves or not vibrating on previously compacted material.

Be alert to acoustic signals from other machines in the working area.

Do not use a machine that is leaking fuel or oil.

### The working area

Do not use the machine near flammable material or in explosive environments. Sparks can be emitted from the exhaust pipe, and these can ignite flammable material. When you take a pause or have finished working with the machine, do not park it on or near flammable materials.

The exhaust pipe can get very hot during operation, and can cause certain material to ignite. Make sure that there are no other personnel inside the working area while the machine is in use. Keep the worksite clean and free of extraneous objects.

Store the machine in a safe place, out of unauthorized's reach, preferably in a locked container.

### Filling up fuel (Petrol/Diesel)

***Petrol has a low flash-point and can be explosive in certain situations. Do not smoke! Make sure there is adequate ventilation.***



Keep away from all hot or spark-generating objects when handling fuel. Wait until the machine has cooled before filling the tank. Fill the tank at least 3 metres away from where you intend to use the machine to avoid fire. Avoid spilling petrol, diesel or oil on the ground.

Protect your hands from contact with petrol, diesel and oil. Open the tank cap slowly to release any overpressure that might exist in the tank. Always take care to use the right type of fuel. Do not overfill the tank. Inspect the machine for fuel leakage regularly.

### Before starting

***read the instruction manual and thoroughly familiarise yourself with the machine and all its functions, and check that:***



- All handles are free from grease, oil and dirt.
- The machine has no visible faults.
- All protective devices are securely fastened into place.
- All control levers are in the neutral position.

**Start the machine according to the instruction book.**





### **Operation**

**Keep your feet well clear of the machine**



**Do not operate the machine in poorly ventilated spaces. There is a risk of carbon monoxide poisoning.**

Only use the machine for the purpose for which it is intended. Ensure that you know how to stop the machine in the event of an emergency.



**Always exercise extreme caution when driving the machine on slopes. Always ensure that all personnel in the vicinity are higher up the slope than the machine. Always drive straight up and down on slopes. Do not exceed the maximum gradability of the machine according to the instruction book. Always stay clear of the machine when operating on slopes or in trenches.**

Never touch the engine, exhaust system or eccentric element of the machine. They become extremely hot during operation and may result in burns. Do not touch the V-belts or the rotating parts during operation.

### **Parking**

Always park the machine on ground which is as level and firm as possible.

Before leaving the machine:

- Apply the parking brake
- Turn off the engine and remove the ignition key.



### **Loading/Unloading**

**Under no circumstances remain under or in the immediate vicinity of the machine when it is being lifted by a crane or similar appliance. Only use marked lifting points. Always make sure that all lifting devices are dimensioned for the weight of the machine.**

### **Maintenance**

Maintenance work may only be carried out by skilled personnel. Never carry out any type of maintenance work while the machine is in motion or the engine running.

### **Working with the hydraulic system**

Regular maintenance of hydraulic systems is extremely important.

Minor damage or split hoses/couplings can have devastating consequences. Bear in mind that the hydraulic hoses are made of rubber and can deteriorate with age, with the consequent risk of splitting. Whenever there are uncertainties as to durability and wear, replace hoses with new original hoses from Dynapac.

### **Working with batteries**

The battery contains poisonous and corrosive sulphuric acid. Wear protective glasses and avoid getting acid on your skin, clothes or on the machine. If you get acid in your eyes, rinse them with water for at least 15 minutes and seek immediate medical treatment. The gas that is emitted by the battery is explosive. When fitting or replacing a battery, always take care so that you do not short-circuit the battery poles. The battery must not be exposed to naked flames, sparks, strong heat or anything else where there is a risk of explosion.

### **Repairs**

Never use a machine that is damaged.  
As qualified repairs require trained personnel, please get in touch with your nearest authorized workshop.

### **Extinguishing fires**

In the case of a fire in the machine, if possible use an ABE-class powder extinguisher. However, a BE-type carbon dioxide fire extinguisher may also be used.

### **Battery charging**

Use a voltage-regulated battery charger (constant voltage). A switched two-stage charger with constant voltage is recommended. A two-stage charger automatically reduces the charging voltage (14.4 V) to trickle charging (13.3 V) when the battery is fully charged.

Suitable battery chargers for 230 Volt:

Optima Model RTC 12/7-S-230

LADAC Model LADAC 512

Tudor Model 61715 Tudor

### **Storage/Trickle charging**

A discharged battery will freeze at a temperature of about (-7°C). A fully charged battery will freeze at (-67°C). A battery that is not being used should be fully charged before being put aside. Trickle charging is not normally required during a period of 6 to 8 months. If a battery has not been in use for a long period, it is recommended that it be fully charged before being used. Trickle charging is recommended a couple of times during the season (especially in winter).

**Technical specifications -  
Noise/Vibrations/Electrical****Noise levels**

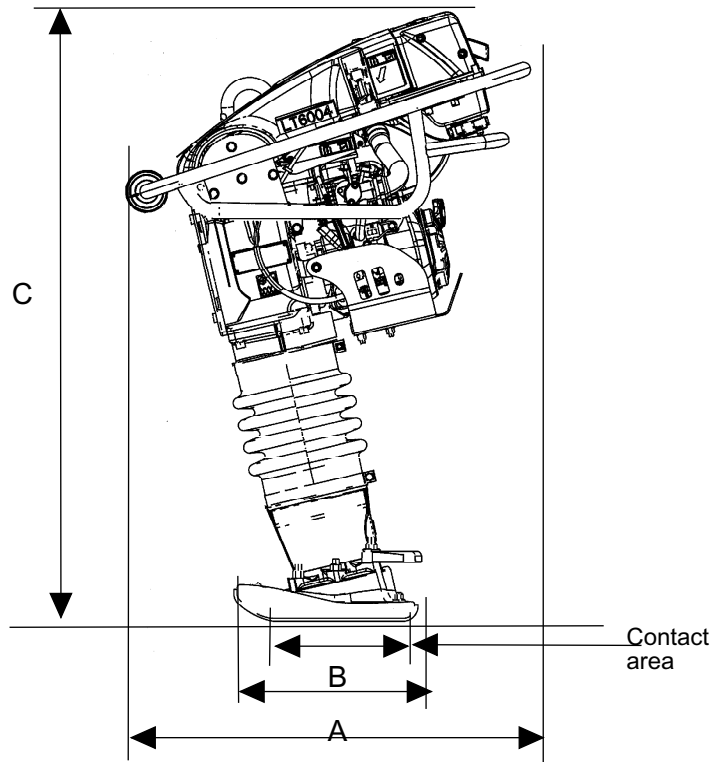
The below noise and vibration levels have been determined in accordance with the operating cycle on a macadam base described in EU Directive 2000/14/EC

**Honda**

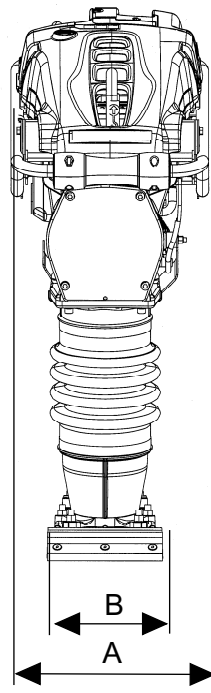
Measured sound power level, $L_{wA}$ dB (A)	103
Guaranteed sound power level, $L_{wA}$ dB (A)	104
Sound pressure level at operator's ear (EN 500-4), $L_{pA}$ dB (A)	91
Hand and arm vibrations (EN500-4), a <sub>hv</sub> m/s <sup>2</sup>	
Standard handle	4,9
Low vibration handle	-
Hand and arm vibrations, permitted working hours per day, (calculated on action value of 2.5 m/s <sup>2</sup> as per 2002/44/EC),	
Standard handle	0,3
Low vibration handle	-
Values may differ from those above depending on operating conditions.	
Uncertainty factor for gravel bed	
$K_{wa}$ dB(A)	1,5 - 2,5
$K_{pa}$ dB(A)	2,5 - 3,5



**Technical specifications - Dimensions**



Dimensions	
A mm (in)	730 (28.7)
B mm (in)	330 (13)
C mm (in)	1102 (43.3)
Contact area, m2, (sq feet)	0,053 (0.57) / 0.065 (0.70)



<b>Dimensions</b>	
A mm (in)	395 (15.3)
B mm (in)	230 (9) / 280 (11)

**Technical specifications - Weights and volumes**

**Weights**

	<b>9" Shoe width</b>	<b>11" Shoe width</b>
Net weight, kg (lbs)	67 (147)	68 (149)
Operating weight EN500, kg (lbs)	68 (149)	69 (151)

**Fluid volumes**

Fuel tank, lit (qts)	2,5 (2,6)
Crank case, l (qts)	0,3 (0,31)
Eccentric cylinder, l (qts)	0,9 (0,95)
Fuel consumption, l/h	0,69





**Technical specifications - General**

**Compaction data**

Vibration frequency, Hz (rpm)	12 (720)
Amplitude, mm (in)	65-75 (2.5-2.9)

**Engine**

Manufacture/Model	Honda GX 100 4-stroke Manual start
Power	2.2 kW (3 hp)
Rated Speed	3,800-3,900 rpm
Idling	1,600-1,900 rpm

**Performance**

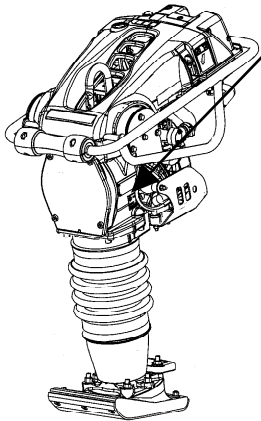
Working speed m/min	15-18
---------------------	-------



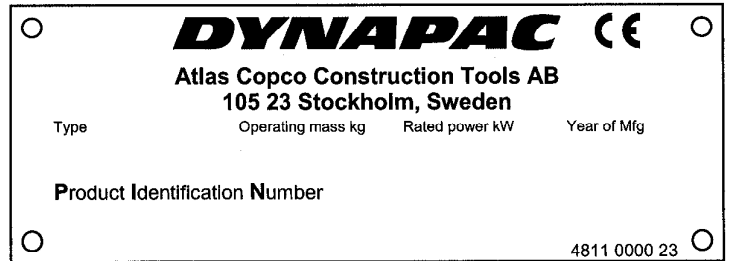
**Machine plate - Identification**

**Machine plate**

*Fill in all data below when delivering and commissioning the machine*



*Fig. Location of machine plate.*



-----  
**Engine model**

-----  
**Engine number**

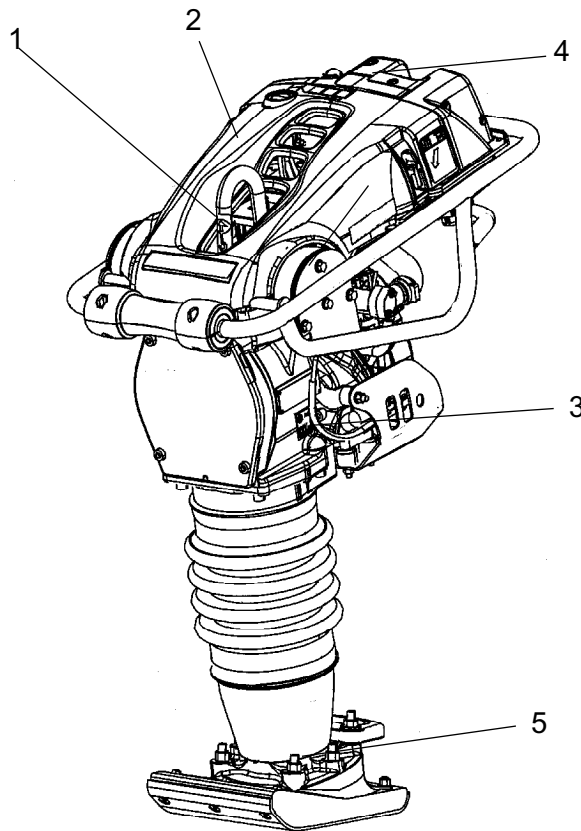
The plate specifies the manufacturer's name and address, the type of machine, the PIN product identification number (serial number), operating weight, engine power and year of manufacture. (on machines supplied to outside the EU, there are no CE markings and in some cases no year of manufacture.)

**When ordering spare parts specify the machine's PIN number.**



**Machine specifications- Decals**

**Location of decals**



- 1. Lifting point
- 3. Noise level
- 5. Pressurized spring package

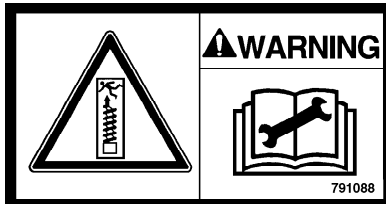
Item no.  
4700281269  
4700791292  
4700791088

- 2. Warning decal
- 4. Collection decal

Item no.  
4700904366  
4700385495

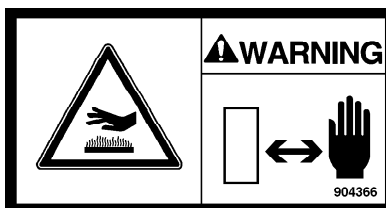
**Safety decals**

Always make sure that all safety decals are completely legible, and remove dirt or order new decals if they have become illegible. Use the part number specified on each decal.



**791088**  
**Warning - Compressed spring package**

Read the service manual.

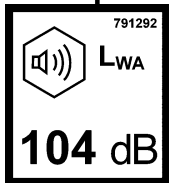


**904366**  
**Warning - Hot surfaces**

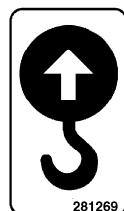
The muffler and exhaust system must not be touched.

**Info-decals**

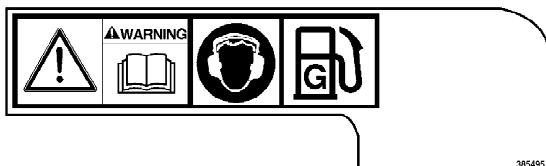
**Noise power level**



**Lifting point**



**Collection decal**



### The machine's range of applications

#### The machine's range of applications

Dynapac LT vibratory rammers are designed for the compaction of fill, including also fill that contains clay.

Applications include house foundations, and bearing courses for roads and parking areas etc.

It can be used to advantage in pipe trenches and for compacting round posts etc.

LT rammers must only be used in well-ventilated areas, as is the case for all combustion engine machines.

When operating LT rammers follow the instructions in the manual, and do not sit or hang from the machine when it is working.

This will interfere with the machine's functionality and result in inferior compaction, and may also damage the machine.

Do not lift the machine in any way when it is in operation, and do not operate on steeper slopes than what is recommended in this manual.





**Operation - Starting**

**Before starting, Honda**

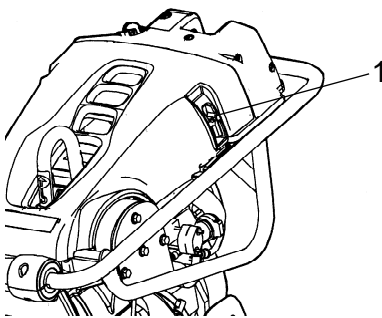
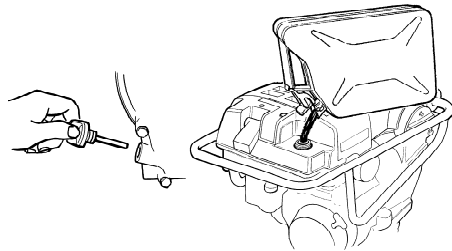
Follow the general safety precautions supplied with the machine on delivery. Check that daily maintenance has been carried out.

We recommend that you also read the detailed motor instructions supplied with the machine.

- The rammer must be standing on the shoe when the oil level is checked in the engine.
- Fill the fuel tank with fuel.
- Check that all the controls are working.
- Make sure that there is no leakage of oil, and that all bolted joints are tightened.
- Check that the hood locks (1) are locked.



On new machines the oil must be changed after 20 working hours.



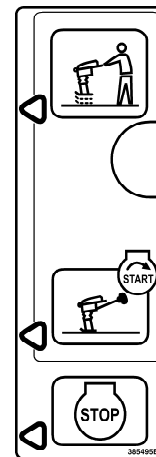
**Checking the hood lock**  
**1. Hood lock (x2)**

**Description of starting decal:**

Working mode

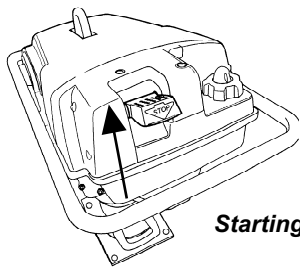
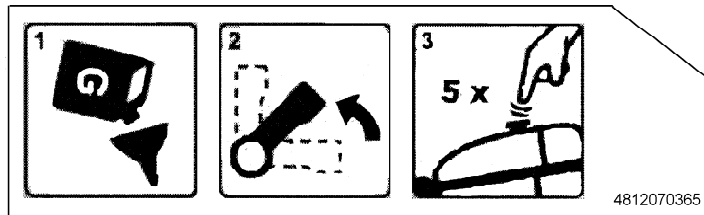
Start/Idling

Stop/Transport/Refueling



**Description of start decal on hood:**

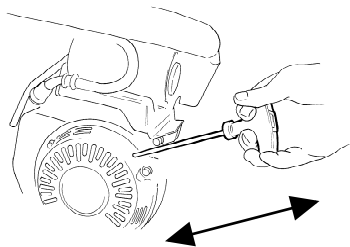
- 1. Fill up with fuel 2. Start lever 3. Venting knob**



**Starting mode**

**Starting the engine**

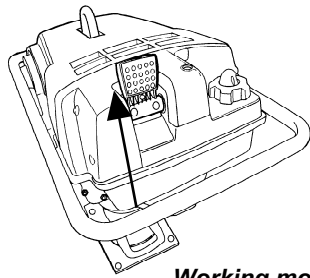
1. Set the throttle in starting mode.
2. Close the choke damper if the engine is cold; if the engine is warm or the ambient temperature is high, push the choke in halfway or leave open. See decal on the air filter.
3. Grip the handle for the recoil starter and pull round the engine until it resists. Release the handle and then pull sharply until the engine starts. Now gradually open the choke damper until it is fully open.
4. Allow the engine to idle for a few minutes before revving up to full power.



## Operation - Driving

### Operating

1. Set the trottle in working mode, and the rammer will start to move forward.



Working mode

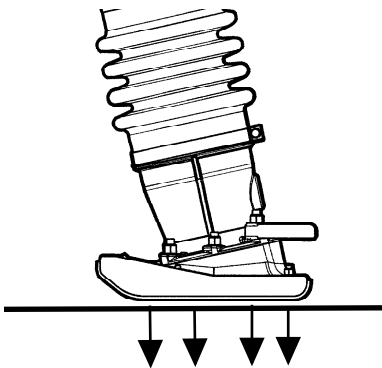


During operation, the engine must always work at full throttle (working mode).

2. Steer the rammer with the handle.

3. Make sure the shoe impacts parallel to the ground.

4. Do not overload or force the machine.



**Stop the engine. Never work on hard surfaces (solid rock, hardened concrete or the like). When working in trenches, always make sure that they are wide enough before starting. When working in narrow trenches there is a risk of the plate fastening between the walls. The rammer can misstrike and become damaged. The ramming shoe in particular could be severely damaged. Check that the rammer is only steered by means of the handle. It must only be pushed forward. The rammer must not be pressed down into the material being compacted. Excessive pressure on the handle will result in poor compaction by obstructing the vibratory action. If the machine tips over during the work, switch off the engine before lifting it up. The rammer should be used on a level surface.**

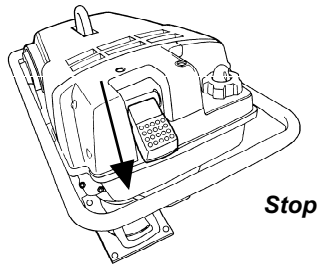


## Operating - Stopping

### Stopping the engine

1. Put the throttle lever in the stop position.

In this position the fuel supply to the engine is switched off and the engine switch is in the Off position.





## Miscellaneous

### Lifting

#### Lifting/Towing



**Never walk or stand under a lifted machine.**



Use only the machine's lifting eye (1) to lift the machine.



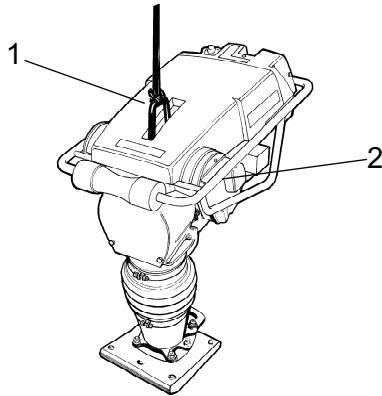
The lifting equipment must be in dimensioned in order to fulfill all regulations. Before lifting check that rubber elements (2) and safety frame (1) are correctly attached and not damaged.

Information on the weight is shown on the machine plate.

The hood should be closed.



**Keep your feet away from the machine.**



**Fig. Machine ready for lifting**  
**1. Lifting hook**  
**2. Rubber element**

## Transport

### Transport



Lay the machine down when it is switched off and not being used.



**Always strap the machine secure during all transportation.**

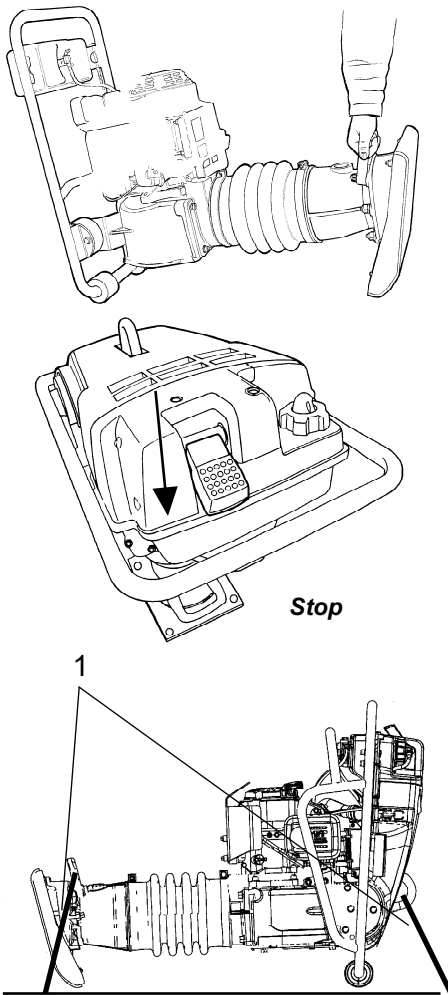
Secure the machine in the lifting hook and the lower lifting handle.

When moving short distances the machine can be tilted forward, so that it rests on the plastic wheels on the handle. Lift with the transport handle and roll the machine forwards and backwards.  
Set the throttle in stop mode so that no fuel runs out.

The hood should be closed.



**Keep your feet away from the machine.**



**Fig. Machine ready for transport**  
**1. Straps.**



### Long-term parking

1. Clean the machine. Remove any clay and sand from the shoe.

2. Clean the air cleaner.



Drain all the fuel from the fuel tank and carburetor. Collect the contents in a container, and dispose of it properly.

3. Carefully pull the starter handle until you feel a slight resistance.




4. Wipe off any oil and dust that has accumulated on the rubber parts.

5. Apply a light coat of oil on the shoe to prevent it rusting.

6. Cover the machine and store it in a dry, dust-free area.



**Maintenance - Lubricants and symbols**

	<b>ENGINE OIL</b>	Use SAE 15W/40, Shell Universal Engine Oil TX15W-40
	<b>ECCENTRIC ELEMENT OIL</b>	Use SAE 15W/40: Shell universal 15W-40
	<b>FUEL</b>	Use unleaded petrol of standard quality

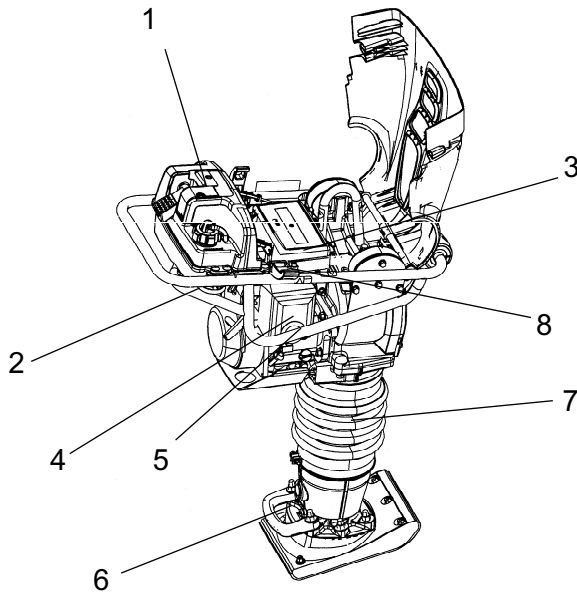


***Stop the engine before refilling the fuel tank. Never refuel near an open flame or sparks, which could start a fire. Do not smoke. Use pure fuel and clean filling equipment. Take care not to spill fuel.***



**Maintenance - Maintenance schedule**

**Service and service points**



**Fig. Service and service points**

- |                  |                                     |
|------------------|-------------------------------------|
| 1. Fuel tank     | 5 Oil plug                          |
| 2. Fuel filter   | 6 Springloaded leg oil, sight glass |
| 3. Air filter    | 7 Bellows                           |
| 4. Dipstick      | 8 Main lock                         |
| 5 Cooling system |                                     |
| 6 Fuel filter    |                                     |



Study the engine instruction book and also follow the maintenance instructions.

## Maintenance - Maintenance schedule

### Every ten operating hours (Daily)

Please consult the list of contents for page and section references!

Action	Comment
<b>Before the first start of the day</b>	
Check and replenish fuel	
Check and replenish lube oil	
Check for oil leaks	
Check the air cleaner's drain valve	For engines equipped with cyclone Refer to the engine manual
Clean / replace air filter	
Check the tightness of all nuts and bolts	
Keep the machine clean	
Check / Clean the engine's cooling flanges	Refer to the engine manual
Check the engine's air filter indicator	Refer to the engine manual
Check that the controls are not damaged or do not jam	
Checking the oil level in the springloaded leg	Applies to DYNAPAC's LT series

### After the first 20 hours of operation

Please consult the list of contents for page and section references!

Action	Comment
Change lube oil	
Clean / replace air cleaner elements	
Change the oil in the eccentric element/springloaded leg.	Only for oil-lubricated eccentric element.
Check the engine speed	
Check and adjust valve clearance	Applies to diesel engines Refer to the engine manual

## Maintenance - Maintenance schedule

### Every 100 hours of operation

Please consult the list of contents for page and section references!

Action	Comment
Change engine oil	Applies to petrol engines Refer to the engine manual
Check and clean the spark plug	Applies to petrol engines Refer to the engine manual
Check the vibration dampers	
Check the engine speed	
Check the V-belt	Applies to belt-driven machines
Clean the carburettor's fuel cock	Applies to petrol engines Refer to the engine manual
Clean the silencer's spark catcher	Applies to petrol engines Refer to the engine manual

### Every 500 hours of operation (Yearly)

Please consult the list of contents for page and section references!

Action	Comment
Adjust valve head clearance for intake and exhaust valves	Refer to the engine manual
Clean / check fuel filter / tank	Refer to the engine manual
Replace air filter	
Changing the oil in the eccentric element	Only for oil lubricated eccentric elements.
Clean the engine's cooling flanges	Refer to the engine manual
Clean and adjust the carburettor	Applies to petrol engines Refer to the engine manual
Check the fuel injection pump	Applies to diesel engines Refer to the engine manual
Check the fuel injection nozzle	Applies to diesel engines Refer to the engine manual
Change the oil in the engine	Refer to the engine manual
Drain the fuel system of water	Applies to diesel engines Refer to the engine manual
Replace the fuel filter.	Applies to diesel engines Refer to the engine manual
Clean the oil filter	Applies to diesel engines Refer to the engine manual

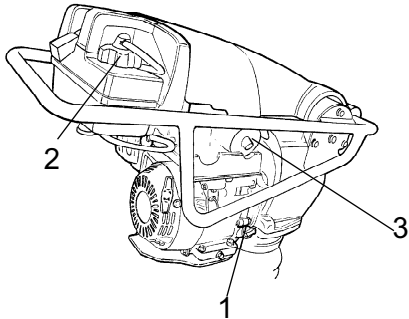




## Maintenance - 10h

### Checking the engine, Honda

1. Check the oil level (1)
2. Check the fuel level (2)
3. Check for oil leaks



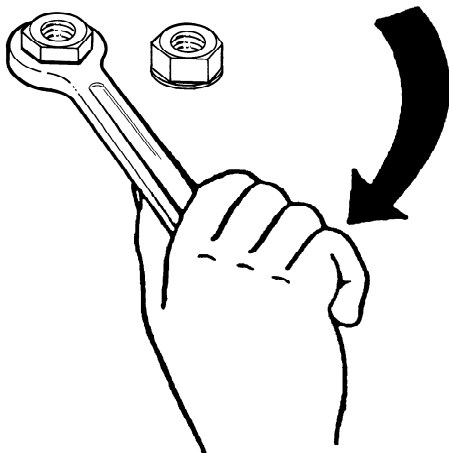
**Fig. Engine 1.** Oil dipstick  
2. Fuel cap  
3. Air filter



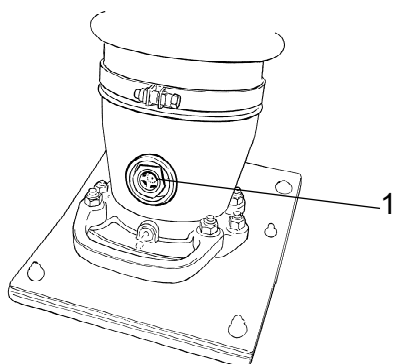
Save the oil and dispose of it in an approved manner.

### Checking bolted joint

Check and, where necessary, tighten screws and nuts.



**Fig. Checking bolted joint**



**Fig. Engine 1. Sight glass**

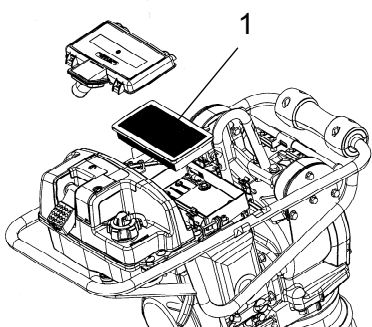
### Checking the oil level in the springloaded leg

1. Check the oil level in the springloaded leg through the sight glass (1)

The level should be at the middle of the sight glass.



Clean up the oil and hand in to an environment-friendly station.



**Fig. Replacing the air filter**  
1. Air filter

### Replacing the air filter

Clean or replace the air filter (1).



**Fig. Cleaning the machine.**

### Cleaning the machine.

Keep machine clean.



Never aim a water jet directly at the fuel filler cap. This is particularly important when using a high-pressure cleaner.

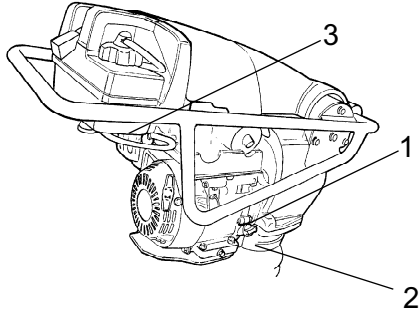
Do not spray water directly onto electrical components or the instrument panels. Place a plastic bag over the fuel filler cap and secure with a rubber band. This will prevent water from entering the venting hole in the filler cap. This could otherwise cause operational disturbances, such as clogged filters.

## The first 20 hours of operation

### Changing the engine oil

Change the oil in the engine.

Check the engine speed



**Fig. Engine**  
1. Dipstick  
2. Oil plug  
3. Spark plug



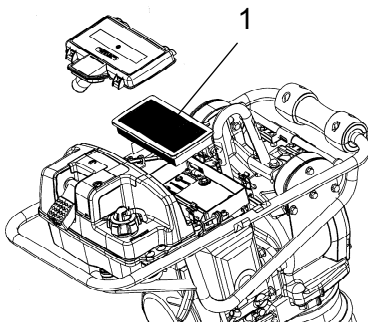
Use the oil drainage hose on machines that are equipped with this.



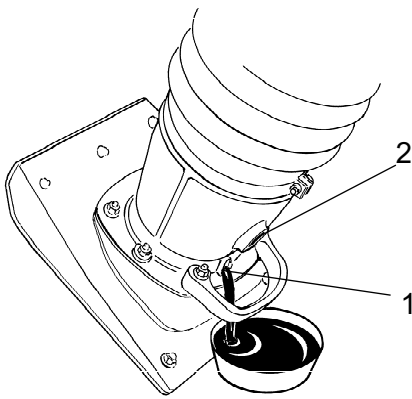
Save the oil and dispose of it in an approved manner.

### Replacing the air filter

Clean or replace the air filter (1).



**Fig. Replacing the air filter**  
1. Air filter



**Fig. Springloaded leg**  
**1. Oil drain**  
**2. Sight glass**

### Changing the oil in the springloaded leg

1. Unscrew the oil drain plug (1).
2. Empty the oil into a container
3. Refit the plug and tighten, making sure that the sealing washer is undamaged.
4. Remove the sight glass (2) and fill with new oil.
5. Refit the sight glass and tighten. The oil level should be at the middle of the sight glass.



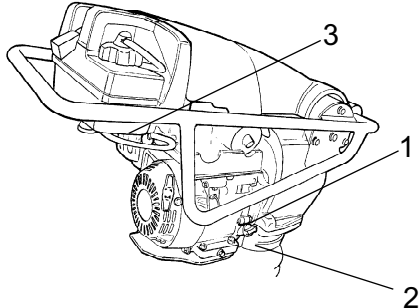
Save the oil and dispose of it in an approved manner.

## Maintenance - 100h

### Changing the engine oil

Change the oil in the engine.

Check the engine speed



**Fig. Engine**  
1. Dipstick  
2. Oil plug  
3. Spark plug



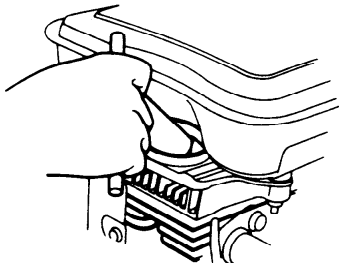
Use the oil drainage hose on machines that are equipped with this.



Save the oil and dispose of it in an approved manner.

### Checking spark plug

1. Check and clean/replace the spark plug.



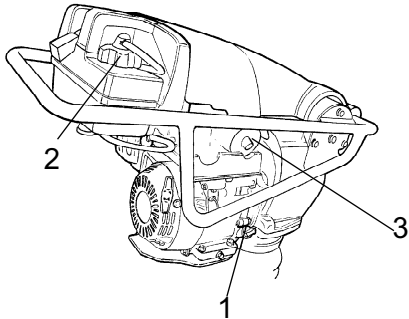
**Fig. Replacing spark plug.**



## Maintenance - 500h

### Checking the engine, Honda

1. Check the oil level (1)
2. Check the fuel level (2)
3. Check for oil leaks



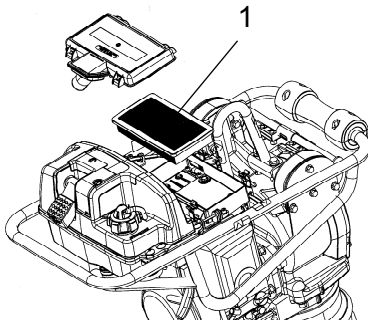
**Fig. Engine 1. Oil dipstick**  
**2. Fuel cap**  
**3. Air filter**



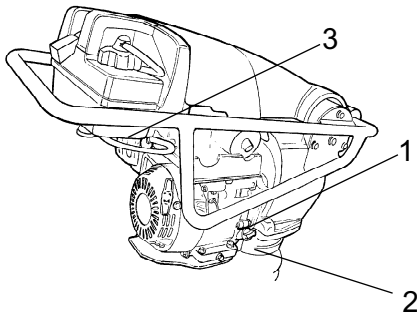
Save the oil and dispose of it in an approved manner.

### Replacing the air filter

Clean or replace the air filter (1).



**Fig. Replacing the air filter**  
**1. Air filter**



**Fig. Engine**  
1. Dipstick  
2. Oil plug  
3. Spark plug

### Changing the engine oil

Change the oil in the engine.

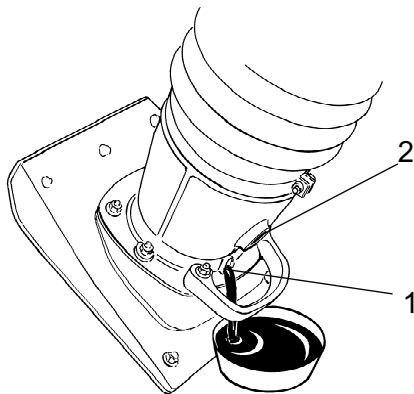
Check the engine speed



Use the oil drainage hose on machines that are equipped with this.



Save the oil and dispose of it in an approved manner.



**Fig. Springloaded leg**  
1. Oil drain  
2. Sight glass

### Changing the oil in the springloaded leg

1. Unscrew the oil drain plug (1).

2. Empty the oil into a container

3. Refit the plug and tighten, making sure that the sealing washer is undamaged.

4. Remove the sight glass (2) and fill with new oil.

5. Refit the sight glass and tighten. The oil level should be at the middle of the sight glass.

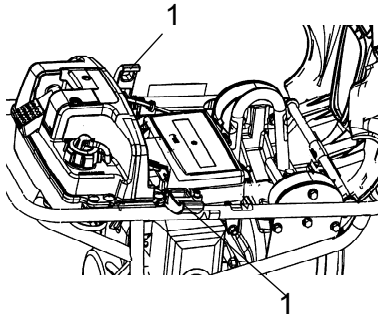


Save the oil and dispose of it in an approved manner.



### Checking the main lock

1. Check that the rubber straps are in good condition.



**Fig. Main lock**  
**1. Rubber straps**

***DYNAPAC***

Part of the Atlas Copco Group

Atlas Copco Construction Tools AB

SE-105 23 Stockholm

***DYNAPAC***

Part of the Atlas Copco Group

Atlas Copco Construction Tools AB

SE-105 23 Stockholm