

10 Technical Data

10.1 Engine

Engine Power Rating

Net power rating per ISO 3046/1-IFN. Actual power output may vary due to conditions of specific use.

Item no.	RD 16 / RD 16 IRH	
Engine		
Engine type	3-cylinder, 4-cycle, liquid-cooled, diesel engine	
Engine make	Lombardini	
Engine model	LDW 1003	
Max. rated power @ rated speed	kW (hp)	16.8 (22.5) @ 2850 rpm
Displacement	cm ³ (in ³)	1028 (62.7)
Engine speed - operat-	rpm	2850
Engine speed - idle	rpm	1300
Valve clearance (cold) intake:	mm (in.)	0.15 (0.006)
exhaust:		0.20 (0.008)
Battery	V	12V DC
Air cleaner	type	Dry pleated paper elements
Fuel	type	Diesel
Fuel tank capacity	L (gal)	23 (6.1)
Fuel consumption	L (gal)/hr	3.6 (0.96)
Engine oil	type	SAE 15W40 Class CD rated
	L (qt)	2.4 (2.5)
Coolant capacity	L (gal)	4.75 (1.25)

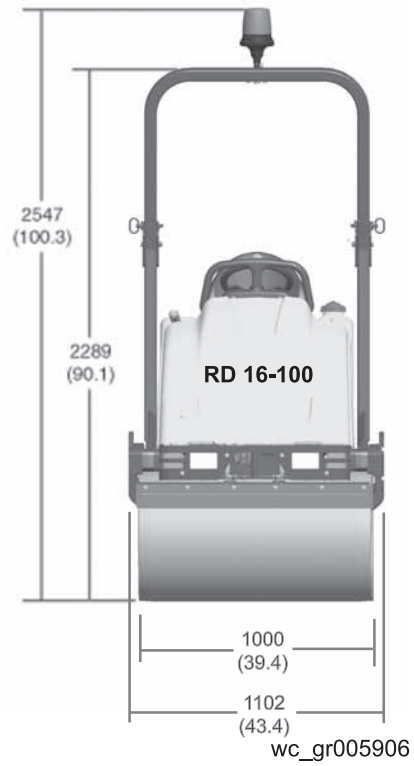
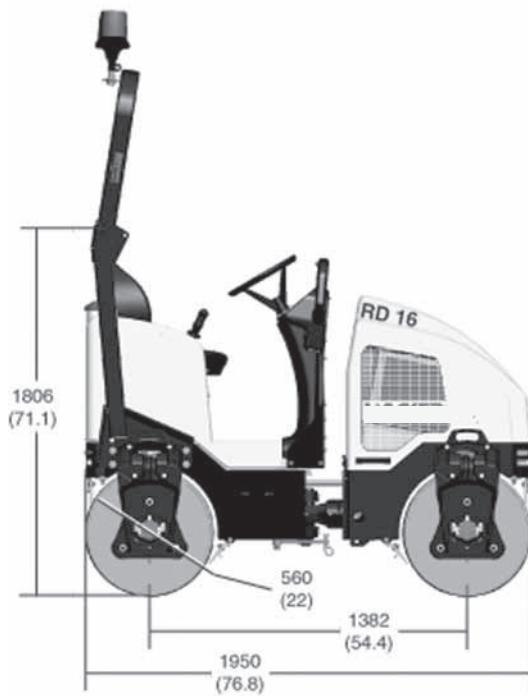
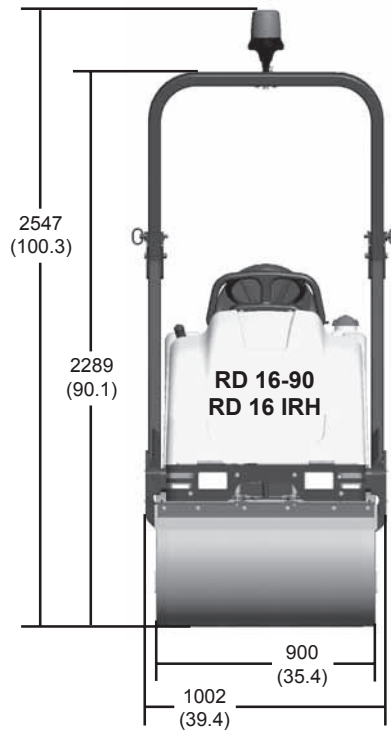
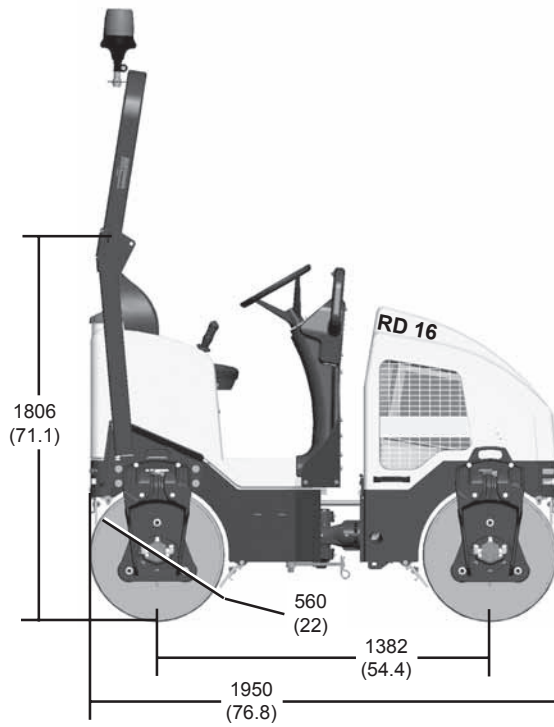
10.2 Roller

Item No.		RD 16/16 IRH
Roller		
Dry Weight	kg (lb)	1356 (2990)
Curb Clearance: Right Left	mm (in.)	400 (15.7) 400 (15.7)
Water Tank Capacity	L (gal)	100 (26.4)
Outside Turning Radius	m (ft)	2.87 (9.4)
Forward / Reverse Speed	kph (mph)	0-9.3 (0-5.8)
Gradeability		30%
Vibration Frequency	vpm	4200

10.3 Lubrication

Item No.		RD 16 / RD 16 IRH
Lubrication		
Engine Lubrication	type L (pt)	SAE 15W40 Class SD rated 2.4 (2.5)
Hydraulic System	type L (gal)	Premium grade, anti-wear hydraulic fluid 10W30 21.6 (5.7)
Exciter	type	Mobil XHP222
Rear Drum Drive Bearing	type qty.	Mobil XHP222 2-3 shots with hand-held grease gun
Front Drum Drive Bearing	type	Sealed Bearings—No lubrication required
Articulated Joint	type qty.	Mobil XHP222 2-3 shots with hand-held grease gun

10.4 Dimensions mm (in.)



wc_gr005906

10.5 Sound Measurements

The operating sound level, measured per the requirements of Appendix 1, Paragraph 1.7.4.f of the EC-Machine Regulations, is:

- the guaranteed sound power level (L_{WA}):
106 dB(A)
- the sound pressure level at operator's location (L_{pA}):
88.1 dB(A)

This sound value was determined according to ISO 3744 for the sound power level (L_{WA}).

10.6 Measurements of Operator Exposure to Vibration

The operator of this machine should expect to be exposed to vibration levels listed below when using the machine in performance of its normally intended function:

- Maximum hand/arm vibration levels are:
 2.2 m/s^2 (7.2 ft/s^2)

These are the representative values of the weighted root mean square (**rms**) acceleration to which the hands and arms are subjected. These weighted **rms** values are measured according to ISO 5349-1.

- Whole body vibration levels do not exceed:
 0.3 m/s^2 (1 ft/s^2)

These are the representative values of the weighted root mean square (**rms**) acceleration to which the whole body is subjected. These weighted **rms** values are measured according to ISO 2631-1.

The results are compliant to the limit and action vibration values (hand/arm and whole body) as specified in European directive 2002/44/EC.

10.7 Hydraulic Pressures

System	Operating Pressure		Relief Pressure	
	bar	psi	bar	psi
Drive**	55–76	800–1100	300	4350
Steering*				
—normal	41–55	600–800	45–51	650–725
—while turning	90–103	1300–1500		
Vibration				
—single drum	103–131	1500–1900	290	4200
—dual drum	138–165	2000–2400		

* Values for hard-packed surfaces. Values may differ depending on surface.

** Charge pressure: 29.3 – 30.7 bar (425–445 psi).