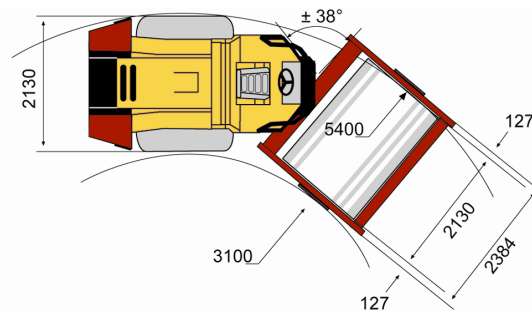
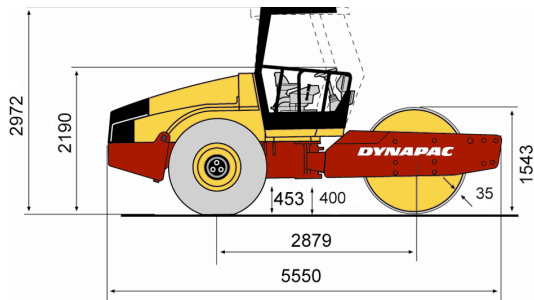


DYNAPAC

Part of the Atlas Copco Group

CA302D

Single drum vibratory rollers



Masses	CA302D
Operating mass (incl. Cab)	12,800 kg
Front module mass	8,200 kg
Rear module mass	4,600 kg
Traction	
Speed range (km/ h)	0-10
Vertical oscillation	±9°
Tyre size (8 ply)	23,1x26
Theor. gradeability	55 %
Compaction	
Centrifugal force, at high amplitude	300 kN
Centrifugal force, at low amplitude	146 kN
Nominal amplitude, high	1.7 mm
Nominal amplitude, low	0.8 mm
Static linear load	38.5 kg/ cm
Vibration frequency, at high amplitude	33 Hz
Vibration frequency, at low amplitude	33 Hz
Engine	
Manufacturer/ Model	Cummins QSB4.5
Type	Water cooled turbo Diesel with After Cooler
Rated power	93 kW
Rated power	125 hp
Rated power @	2,200 rpm
Rated power (rating standard)	SAE J1995
Fuel tank capacity	250 l
Hydraulic system	
Driving	Axial piston pump with variable displacement. Axial piston motor with variable displacement. Axial piston motor with constant displacement.
Vibration	Axial piston pump with variable displacement. Axial piston motor with constant displacement.
Steering	Gear pump with constant displacement.
Service brake	Hydrostatic in forward and reverse lever.
Parking/ Emergency brake	Failsafe multidisc brake in drum gear box and in rear axle.

Find your local dealer at www.dynapac.com

We reserve the right to change specifications without notice. Photos and illustrations do not always show standard versions of machines. The above information is a general description only, all informations are supplied without liability.