

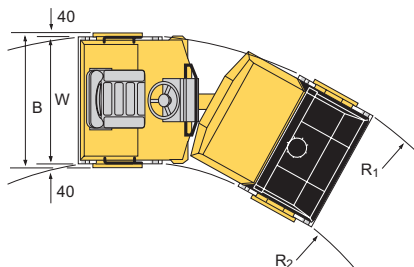
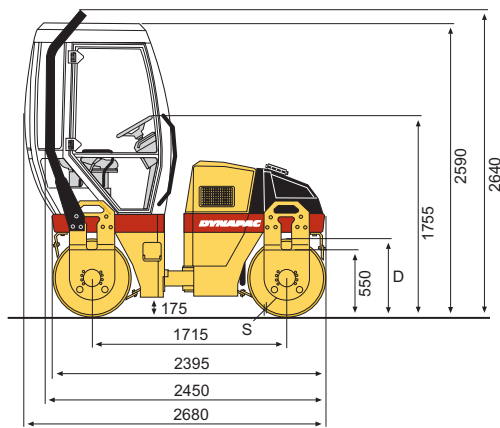
DYNAPAC

CC102/122

Tandem Asphalt Rollers



Technical data



Masses (kg)	CC102	CC122
Max. operating mass	2 900	3 150
Operating mass (incl. ROPS)	2 350	2 600
Drum module mass, front/rear	1 130/1 220	1 260/1 340

Traction	CC102	CC122
Speed range (km/h)	0 - 10	0 - 10
Vertical oscillation (°)	±10	±10
Steering angle (°)	±30	±30
Theor. gradeability (%)	50	45

Compaction	CC102	CC122
Static linear load, front/rear (kg/cm)	10,6/11,4	10,5/11,2
Nominal amplitude (mm)	0,5	0,5
Vibration frequency (Hz)	57	58
Centrifugal force per drum (kN)	23	27
Water tank (l)	160	160

Dimensions (mm)	CC102	CC122
B (w./w.o. ROPS)	1 180/1 150	1 310/1 280
D	680	682
R ₁	3 730	3 800
R ₂	2 660	2 600
S: Nominal	12	13
W	1 070	1 200

Engine	CC102/122	CC102/122
Model	Deutz F2L 2011	Isuzu 3LD1 PW-05
Type	Air cooled	Water cooled
Rated power, SAE J1995, at 2800 rpm, kW (hp)	23 (29)	-
at 2400 rpm, kW (hp)	-	22 (30)
Fuel tank capacity (l)	50	50

Hydraulic system

DrivingAxial piston pump with variable displacement and servo
Radial piston motors (2) with constant displacement.
VibrationGear pump/motors with constant displacement.
SteeringGear pump with constant displacement.
Service brakeHydrostatic in forward and reverse lever.
Parking/
Emergency brakeFailsafe multidisc brake on both drums.

Dynapac Compaction Equipment AB, Box 504, SE-371 23 Karlskrona, Sweden, Phone: +46 455 30 60 00, Fax: +46 455 30 60 30

We reserve the right to change specifications without notice. Photos and illustrations do not always show standard versions of machines.
The above information is a general description only, is not guaranteed and contains no warranties of any kind.

www.dynapac.com