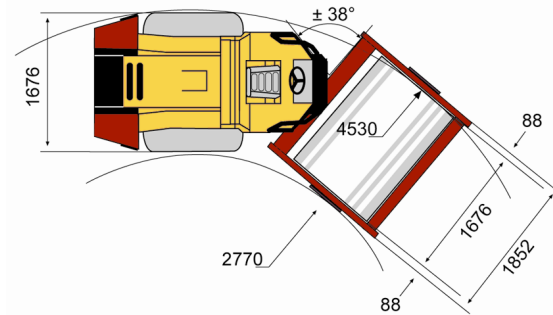
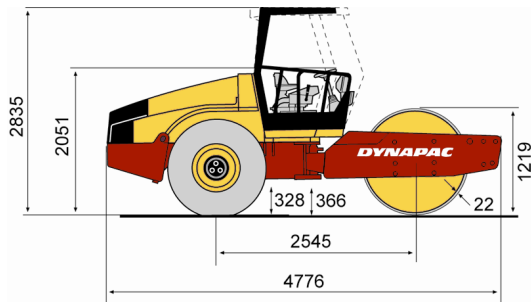


# DYNAPAC

Part of the Atlas Copco Group

## CA152D

### Single drum vibratory rollers



	CA152D
<b>Masses</b>	
Operating mass (incl. Cab)	7,600 kg
Front module mass	3,800 kg
Rear module mass	3,800 kg
<b>Traction</b>	
Speed range (km/ h)	0-10
Vertical oscillation	±9°
Tyre size (8 ply)	420-70 B24
Theor. gradeability	55 %
<b>Compaction</b>	
Centrifugal force, at high amplitude	114 kN
Centrifugal force, at low amplitude	109 kN
Nominal amplitude, high	1.7 mm
Nominal amplitude, low	0.8 mm
Static linear load	22.7 kg/ cm
Vibration frequency, at high amplitude	31 Hz
Vibration frequency, at low amplitude	43 Hz
<b>Engine</b>	
Manufacturer/ Model	Cummins QSB 3.3 T3
Type	Water cooled turbo Diesel with After Cooler
Rated power	74 kW
Rated power	99 hp
Rated power @	2,200 rpm
Rated power (rating standard)	SAE J1995
Fuel tank capacity	225 l
<b>Hydraulic system</b>	
Driving	Axial piston pump with variable displacement Axial piston motor with constant displacement. Radial piston motor with constant displacement (D, PD).
Vibration	Axial piston pump with variable displacement. Axial piston motors (2) with constant displacement.
Steering	Gear pump with constant displacement.
Service brake	Hydrostatic in forward and reverse lever.
Parking/ Emergency brake	Failsafe multidisc brake in rear axle.

Find your local dealer at [www.dynapac.com](http://www.dynapac.com)

We reserve the right to change specifications without notice. Photos and illustrations do not always show standard versions of machines. The above information is a general description only, all informations are supplied without liability.