

2. Technical Data

2.1 Engine

Part No.	RS 800A 0006581	RSS 800A 0006582
Engine		
Engine Type	4-stroke, overhead valve, single cylinder	
Engine Make	Honda	
Engine Model	GX 340 K1 QA2	GX 340 K1 QAE2
Rated Power	kW (Hp) 8.2 (11.0)	
Spark Plug	(NGK) BR 6ES	
Electrode Gap	mm (in.) 0.028–0.031 (0.7–0.8)	
Engine Speed	rpm 2400–2500	
Valve Clearance (cold)	mm (in.)	
intake:	0.15 (0.006)	
exhaust:	0.20 (0.008)	
Air Cleaner	type Dual Element	
Engine Lubrication	oil grade SAE 10W30 Service Class SF, SG	
Engine Oil Capacity	l (oz.) 1.1 (37)	
Fuel	type Regular unleaded gasoline	
Fuel Tank Capacity	l (qts.) 6.8 (7.2)	

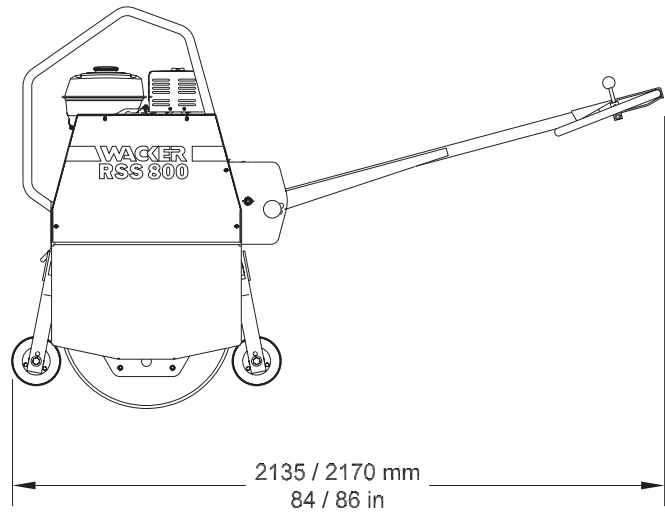
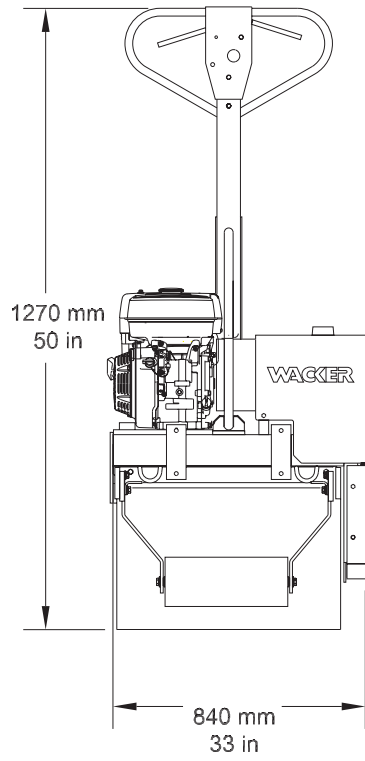
2.2 Roller

Item No.		RS800A 0006581	RSS800A 0006582
Roller			
Weight	kg (lbs.)	450 (1000)	465 (1025)
Area capacity	m ² (ft ²) / hr.	2630 (28300)	
Forward speed (max.)	m (ft) / min.	0–61 (0–200)	
Reverse speed (max.)	m (ft) / min.	0–46 (0–150)	
Vibration frequency	Hz (vpm)	70 (420)	
Gradability	%	15	
Water tank capacity	l (gal)	30 (8)	

2.3 Lubrication

Part No.		RS 800A 0006581	RSS 800A 0006582
Lubrication			
Gear case	type / qty.	SAE 90W Gear Lube Oil / 175 ml (6.0 oz)	
Hydrostatic transmission		SAE 10W30 Class SE	
Grease fittings		No. 2 EMB	

2.4 Dimensions



wc_gr001024

Notes