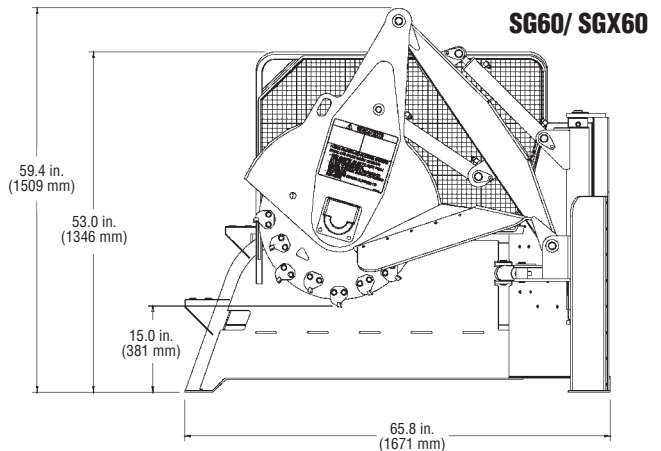
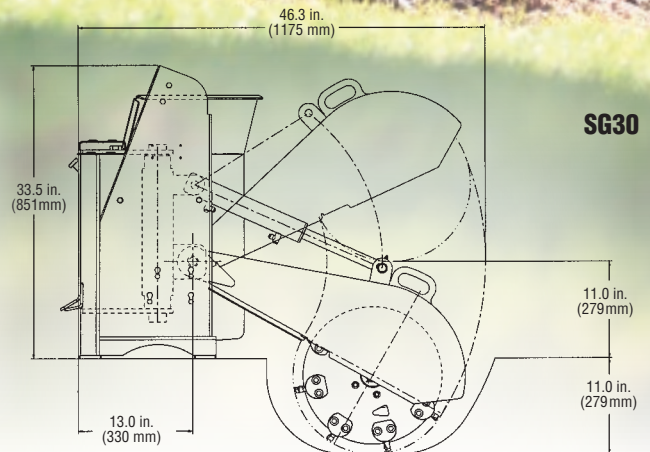


STUMP GRINDER

- Remove stumps in large, open areas and in small, compact environments
- Access smaller spaces such as backyards and gate openings

Grind tree stumps INTO MULCH.

An ideal attachment for landscaping contractors, homeowners with acreage, campus facilities, municipalities, and rental contractors, the stump grinder mounts directly to the front of a carrier for maneuverability in tight areas and easy positioning over the stump.



Specifications	SG30	SG60	SGX60
Transport Width	36.0 in. (914 mm)	65.8 in. (1671 mm)	65.8 in. (1671 mm)
Overall Length	46.3 in. (1175 mm)	45.0 in. (1143 mm)	45.0 in. (1143 mm)
Overall Height	33.5 in. (851 mm)	59.4 in. (1509 mm)	59.4 in. (1509 mm)
Weight	460 lb. (209 kg)	980 lb. (445 kg)	995 lb. (451 kg)
Wheel Diameter w/Teeth	18.0 in. (457 mm)	27.0 in. (686 mm)	27.0 in. (686 mm)
Tip Speed	3109 – 4691 ft./min. (948 – 1430 m/min.)	4480 – 6330 ft./min. (1366 – 1990 m/min.)	3321 – 5511 ft./min. (1012 – 1680 m/min.)
Number of Teeth	16	32	32
Maximum Cutting Height	11.0 in. (279 mm)	32.0 in. (813 mm)	32.0 in. (813 mm)
Maximum Cutting Depth (Below Grade)	11.0 in. (279 mm)	15.0 in. (381 mm)	15.0 in. (381 mm)
Maximum Swing Arc	90 deg.	80 deg.	80 deg.
Hydraulic Flow	10 – 14 gpm (38 – 53 L/min.)	17 – 32 gpm (64 – 121 L/min.)	25 – 40 gpm (95 – 151 L/min.)

Approved Machines: Skid-Steer Loader, Compact Track Loader, All-Wheel Steer Loader, Mini Track Loader, Toolcat Utility Work Machine

For more information

STUMP GRINDER

90-DEGREE ANGLE MOUNT

Mounted at a 90-degree angle to the operator, the stump grinder offers increased visibility to the cutting area, giving the operator the same wide view as with any pull-behind grinder.

AUXILIARY HYDRAULICS OPERATION

Stump grinder operates off the carrier's auxiliary hydraulics, eliminating an engine to maintain while operating.

CARBIDE-TIPPED TEETH

Efficiently rip through hard wood, providing long life and uptime protection for the attachment.

UNIQUE VALVE DESIGN

Reduces the possibility of the cutting wheel stalling while in the cut.

RUBBER DEFLECTING SHIELDS

Protect operators from wood chips for safety and comfort.



Scan the code to see the stump grinder in action.



STABILIZER, REAR

Improve digging power and performance.

Frame-mounted at the rear of the loader, this transfers the weight of the loader to the backhoe or tree spade attachment, giving the attachment more force to power through the dig. Street pads protect sensitive surfaces from damage and grouser bars help keep the loader from being pulled toward the work area. The rear stabilizer attachment also helps level and stabilize the loader on uneven terrain.

STEEL TRACKS

Improve performance in rough, rocky and muddy conditions.

Easy-to-install steel tracks provide better flotation and reduced ground pressure when operating in tough environments. They also improve traction when working in soft and loose conditions. Compared to rubber tires, the steel tracks deliver better operating results and protect tires from wear and damage. After initial installation, steel tracks can be reinstalled in less than 30 minutes.

