

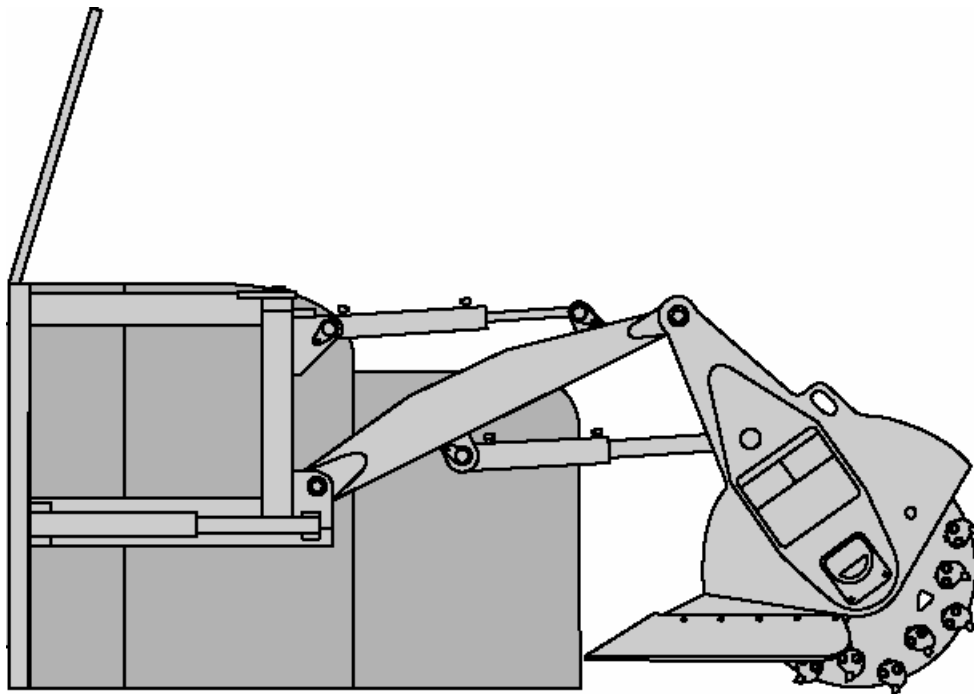


30 Salisbury Road, Hornsby, NSW 2077
PO Box 50, Hornsby, NSW 1630 Australia
Phone: (02) 9477 8444
Fax: (02) 9476 6558

RISK ASSESSMENT

For

Stump Grinder Attachment



CONTENTS

Applicability

Standards referenced in the preparation of this document

Risk Assessment (1 page)

APPLICABILITY

The following Risk Assessment document is applicable to the Stump Grinder attachment models:

- SG25
- SG30
- SG60

STANDARDS REFERENCED

The following Standards, Acts and Regulations were referenced in the preparation of this Risk Assessment.

- NOHSC: 1010 (1994) - National Standard for Plant
- OHS Act 2000 (NSW)
- OHS Regulation 2001 (NSW)
- Workplace Health and Safety Act 1995 (Queensland)
- Workplace Health and Safety Regulation 1997 (Queensland)
- AS2359.6 (1995) – Powered Industrial Trucks – Safety Code
- AS4360 (2004) – Risk Management
- ISO/WD 3691-1 (1999) – Industrial Trucks – Safety Requirements and Verification
- EN1459 (1999) – Safety of Industrial Trucks

Risk Assessment - Stump Grinder

Subject: Stump Grinder Attachment for Compact Loaders

Hazard	Risk	Rating	Control
Plant machinery not compatible with attachment	Injury to operator/bystander - stump grinder could fail due to excessive	Low	Use correct attachment and work procedures. Refer to owners manual
Attachment not secured in place correctly	Injury to bystander - stump grinder could come loose (strike, crush inju	Medium hi	Refer to operators manual - Make sure attachment is connected properly
Obstructions underground- rocks	Operator frustration increases risk of injury	Low	Continually inspect site before and while work is being completed
Obstructions underground - (e.g. electricity, gas)	Electric shock, gas explosions, fire	Low	Inspect area and check with local authorities for service location
Obstructions underground - service(e.g. cables)	Hook cable on teeth, lacerations to operator/bystanders	Medium	Inspect area and check with local authorities for service location
Bystander collision	Poor visibility causing collision	Medium hi	Only proceed when a full grasp of surroundings is known and all bystanders are clear
Moving stump grinder manually	Back injury, strains	Medium hi	Only use plant equipment to move stump grinder - refer to operators manual
Attachment becomes hot due to sun/ hydraulic operation	Burns to operator	Medium	Use gloves if need be, when connecting/disconnecting Stump Grinder
Sharp edges - especially on cutting teeth	Minor abrasions and cuts	Medium	Take care when moving in the vicinity of the Stump Grinder
Rotating disc	Coming in contact with or getting caught on moving wheel	Medium	Stay well clear of Stump Grinder when it is in operation at least 6 metres
Hydraulic leakage under pressure while hot	Burns to operator, bystanders	Low	Burst bag covers all hydraulic lines
Foreign objects ejected/thrown whilst in operation	Hazardous to bystanders body, head, eyes	Medium	Bystanders must be well clear as objects could travel large distances, wear eye protection
Clearance of refuse	Possible severe injury to person from ejection of material	Medium hi	Only commence clearing once Stump Grinder is well clear and plant machinery is turned off
Tooth being ejected	Severe lacerations to operator and/or bystanders	Medium hi	Keep teeth well maintained and check before every use
Hot hydraulic fluid while disconnecting attachment	Burns to hands, eyes and/or body	Low	Relieve pressure in hydraulic lines before disconnecting, refer to owners manual
Person being caught/crushed by pivoting blade	Crush injury	Medium hi	Bystanders must be well clear of attachment whilst in operation

Hierarchy of Control

1. Elimination
2. Substitution
3. Isolation
4. Engineering Control
5. Administrative Control
6. PPE