



Cat[®] 216B Series 3

SKID STEER LOADER

FEATURES:

The Cat[®] 216B Series 3 Skid Steer Loader, with its radial lift design, delivers excellent digging performance with outstanding drawbar power. The 216B Series 3 features the following:

- **Ergonomic operator station** features easy to use pilot operated joystick controls for reduced operator fatigue and increased productivity.
- **High performance power train** provides high engine horsepower and torque, allowing part-throttle operation for lower sound levels and fuel consumption.
- **Advanced hydraulic system** is designed for maximum power and reliability.
- **Easy routine maintenance** helps reduce machine downtime for greater productivity.
- **Broad range of performance matched Cat Work Tools** make the Cat Skid Steer Loader the most versatile machine on the job site.

Specifications

Engine

Engine Model	Cat C2.2	
Gross Power SAE J1995	38 kW	51 hp
Net Power SAE 1349/ISO 9249	35 kW	47 hp
Displacement	2.2 L	134 in ³
Stroke	100 mm	3.9 in
Bore	84 mm	3.3 in

Weights*

Operating Weight	2581 kg	5,690 lb
------------------	---------	----------

Power Train

Travel Speed (Forward or Reverse)	12.7 km/h	7.9 mph
-----------------------------------	-----------	---------

Hydraulic System

Hydraulic Flow – Standard:		
Loader Hydraulic Pressure	23 000 kPa	3,335 psi
Loader Hydraulic Flow	61 L/min	16 gal/min
Hydraulic Power (calculated)	23.2 kW	31.1 hp

*Operating Weight, Operating Specifications and Dimensions all based on 75 kg (165 lb) operator, all fluids, OROPS, 1524 mm (60 in) dirt bucket, Cat 10×16.5 tires, no optional counterweights and manual quick coupler (unless otherwise noted).

Operating Specifications*

Rated Operating Capacity	635 kg	1,400 lb
Rated Operating Capacity with Optional Counterweight	680 kg	1,500 lb
Tipping Load	1270 kg	2,800 lb
Breakout Force, Tilt Cylinder	1852 kg	4,083 lb

Cab

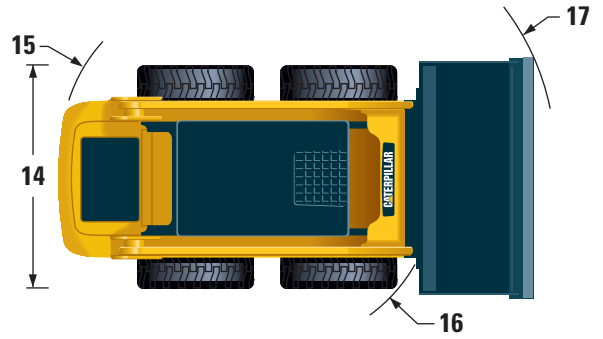
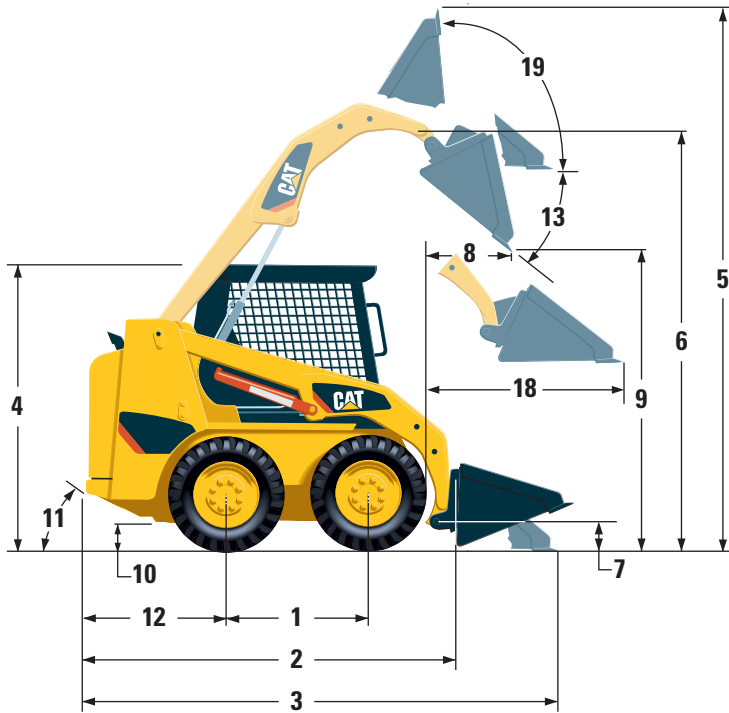
ROPS	SAE J1040 MAY94, ISO 3471:1994
FOPS	SAE J/ISO 3449 APR98 Level I, ISO 3449:1992 Level I
FOPS Level II	SAE J/ISO 3449 APR98 Level II, ISO 3449:1992 Level II (optional)

Service Refill Capacities

Chain Box, each side	6 L	1.6 gal
Cooling System	10 L	2.6 gal
Engine Crankcase	10 L	2.6 gal
Fuel Tank	58 L	15.4 gal
Hydraulic System	55 L	14.5 gal
Hydraulic Tank	35 L	9.2 gal



216B Series 3 Skid Steer Loader



Dimensions*

1 Wheelbase	986 mm	39 in	11 Departure Angle	26°	
2 Length w/o Bucket	2519 mm	99 in	12 Bumper Overhang Behind Rear Axle	967 mm	38 in
3 Length w/Bucket on Ground	3233 mm	127 in	13 Maximum Dump Angle	40°	
4 Height to Top of Cab	1950 mm	77 in	14 Vehicle Width over Tires	1525 mm	60 in
5 Maximum Overall Height	3709 mm	146 in	15 Turning Radius from Center – Machine Rear	1502 mm	59 in
6 Bucket Pin Height at Maximum Lift	2854 mm	112 in	16 Turning Radius from Center – Coupler	1195 mm	47 in
7 Bucket Pin Height at Carry Position	200 mm	8 in	17 Turning Radius from Center – Bucket	1944 mm	77 in
8 Reach at Maximum Lift and Dump	505 mm	20 in	18 Maximum Reach w/Arms Parallel to Ground	1291 mm	51 in
9 Clearance at Maximum Lift and Dump	2169 mm	85.4 in	19 Rack Back Angle at Maximum Height	81°	
10 Ground Clearance	195 mm	8 in			

MANDATORY EQUIPMENT

- Quick Coupler, Mechanical or Hydraulic
- Seat Belt, 50 mm (2 in) or 75 mm (3 in)

COMFORT PACKAGE *(must select one of the following)*

- Open ROPS (C0): *Static Seat*
- Open ROPS (C1): *Suspension Seat, Deluxe Headliner*
- Enclosed ROPS (C3): *Suspension Seat, Deluxe Headliner, Heater, Air Conditioner, Cab Door, Side Windows, Cup Holder, Cab Debris Barrier*

CONTROL PACKAGE *(must select one of the following)*

- Control Package 1: *On/Off Auxiliary Hydraulics Basic*
- Control Package 2: *Proportional Auxiliary Hydraulics Deluxe*
- Control Package 3: *Proportional Auxiliary Hydraulics Deluxe, Work Tool Harness*

STANDARD EQUIPMENT

ELECTRICAL

- 12 volt Electrical System
- 65 ampere Alternator
- Automatic Glow Plug Activation
- Ignition Key Start/Stop Switch
- Lights: *Gauge Backlighting, Two Rear Tail Lights, Two Adjustable Front and Rear Halogen Lights, Dome Light*

OPERATOR ENVIRONMENT

- Gauges: *Fuel Level, Hour Meter*
- Operator Warning System Indicators: *Air Filter Restriction, Alternator Output, Armrest Raised/Operator Out of Seat, Engine Coolant Temperature, Engine Oil Pressure, Glow Plug Activation, Hydraulic Filter Restriction, Hydraulic Oil Temperature, Parking Brake Engaged*
- Vinyl Seat
- Pull Down Ergonomic Contoured Armrest
- Control Interlock System, when operator leaves seat or armrest raised: *Hydraulic System Disables, Hydrostatic Transmission Disables, Parking Brake Engages*
- ROPS Cab, Open, Tilt Up
- FOPS, Level I
- Top and Rear Windows
- Interior Rearview Mirror
- 12 volt Electric Socket
- Horn
- Backup Alarm

POWER TRAIN

- Cat C2.2 Diesel Engine
- Meets EU Stage IIIA equivalent and Bharat Stage III emission standards
- Air Cleaner, Dual Element, Radial Seal
- S-O-SSM Sampling Valve, Hydraulic Oil
- Filters: Spin on, Hydraulic
- Filters: Bayonet-type, Fuel and Water Separator
- Tilt Up Radiator/Hydraulic Oil Cooler
- Muffler, Standard
- Spring Applied, Hydraulically Released Parking Brakes
- Hydrostatic Transmission
- Four Wheel Chain Drive

OTHER

- Engine Enclosure, Lockable
- Extended Life Antifreeze, -36° C (-33° F)
- Machine Tie Down Points (4)
- Support, Lift Arm
- Hydraulic Oil Level Sight Gauge
- Radiator Coolant Level Sight Gauge
- Radiator, Expansion Bottle
- Cat ToughGuard™ Hose
- Auxiliary, Hydraulics, Continuous Flow
- Heavy Duty, Flat Faced Quick Disconnects
- Split D-Ring to Route Work Tool Hoses Along Side of Left Lift Arm
- Electrical Outlet, Beacon
- Belly Pan Cleanout
- Product Link™ PL240, Cellular

OPTIONAL EQUIPMENT

- Counterweight, increases rated operating capacity 45 kg (100 lb)
- Beacon, Rotating
- Engine Block Heater – 120V or 240V
- Oil, Hydraulic, Cold Operation
- Heavy Duty Battery, 880 CCA

216B Series 3 Skid Steer Loader

For more complete information on Cat products, dealer services, and industry solutions, visit us on the web at www.cat.com

© 2018 Caterpillar
All rights reserved

Materials and specifications are subject to change without notice. Featured machines in photos may include additional equipment. See your Cat dealer for available options.

CAT, CATERPILLAR, SAFETY.CAT.COM, their respective logos, "Caterpillar Yellow" and the "Power Edge" trade dress, as well as corporate and product identity used herein, are trademarks of Caterpillar and may not be used without permission.

AEHQ6103-02 (03-2018)
Replaces AEHQ6103-01

