



OPERATION AND MAINTENANCE MANUAL

DEUTZ F2L2011F / STAMFORD BCI 164A

CONTENTS

- Section 1. OPERATING INSTRUCTIONS
- Section 2. SPARE PARTS DIAGRAM
- Section 3. SPARE PARTS LIST
- Section 4. ELECTRICAL SCHEMATIC
- Section 5. SPARE PARTS FLYER



Section 1.
OPERATING INSTRUCTIONS



OPERATING INSTRUCTIONS

1. Check for overhead electrical wires
2. Position trailer in required location, trailer rear facing the area to be lighted
3. Use jacks to level trailer
4. Remove pin from boom rest
5. Check engine and hydraulic oil levels
6. Check fuel level
7. Start genset via key and pushbutton
8. Raise main boom to vertical position
9. Extend top boom to required height
10. Focus lights via rotation of boom (manual)
11. Switch on each light circuit breaker separately
12. Always lower top boom first
13. Lower main boom to rest position
14. Boom must be locked in rest position before towing or lifting

WARNINGS

1. Ensure boom is clear of overhead wires
2. Trailer must be level before operating boom
3. Jacks must be clear of ground before towing



All parts available from
S.E. Power Equipment
Ph: 1800 636 744
parts@sepower.com.au



MECHANICAL SPECIFICATION		ELECTRICAL SPECIFICATION	
LENGTH	4.5 m	ALTERNATOR	Stamford 8 kVA
WIDTH	1.8 m	LIGHTS	4 x 1000 watt
HEIGHT	2.2 m	OUTLET	1 x 240V
WEIGHT	1280 kg		
RAISED MAST HEIGHT	8 m		
HYDRAULIC LIFT	12 Volt DC		
SCREW LEVEL JACKS	3		
WHEELS	14 "		
COUPLING	50 mm Ball		
BRAKES	Override Type		
DEUTZ	Air Cooled		
FUEL TANK CAPACITY	56 L		
ENGINE SUMP CAPACITY	6.5 L		
		FEATURES	
		<ul style="list-style-type: none"> ➤ Vertical exhaust discharge. ➤ Painted "safety yellow". ➤ Engine Shutdown Protection ➤ Circuit Breakers with Earth Leakage Protection ➤ Weatherproof Canopy 75 dB @ 7 m. ➤ Recessed EMERGENCY STOP. ➤ Lockable battery isolator. ➤ LED style tail lights. 	

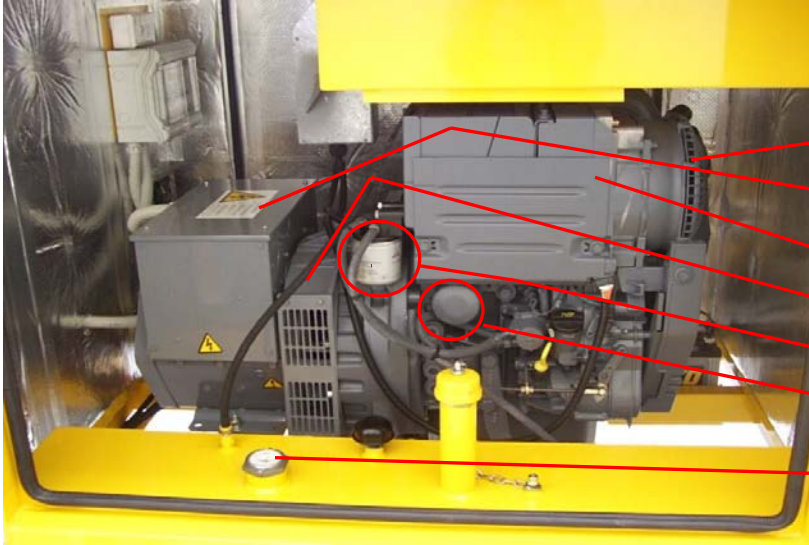
ALL SERVICE AND PARTS AVAILABLE THROUGH



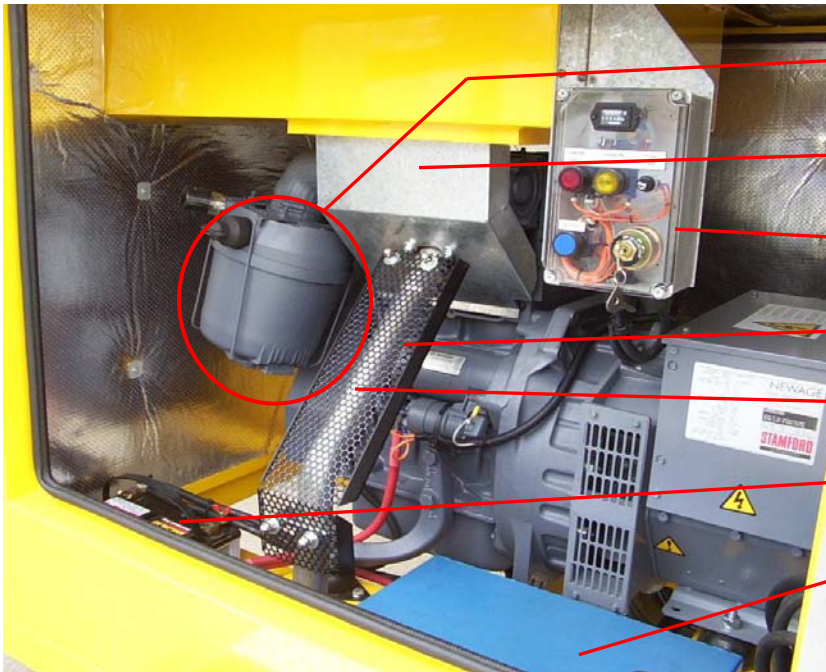
47 Proprietary Street, Tingalpa. QLD 4173
 P.O. Box 3306, Tingalpa B.C. QLD 4173
 Telephone: 1800 636 744 Fax: (07) 3390 9723
parts@sepower.com.au

PROVEN POWER TO PERFORM

Section 2.
SPARE PARTS DIAGRAM



- BELT MD2929933
- ALTERNATOR : MTL601
- ENGINE :MTL201
- FUEL RETURN : MTL203
- FUEL FILTER: MD1174696
- OIL FILTER: MD1174416
- FUEL GAUGE : MTL 206

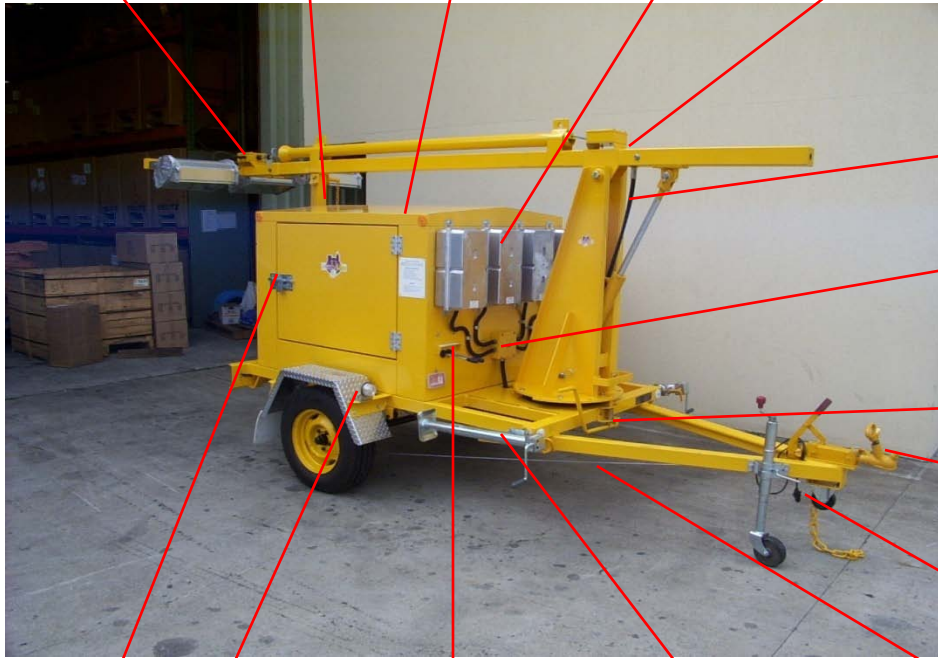


- AIR FILTR: MD2934587
- HEAT SHIELD MTL211
- DC START PANEL MTL618
- EXHAUST PIPE MTL214
- HEAT GUARD MTL213
- BATTERY MTL606
- HYDRAULIC PACK MTL401



- GPO MTL619
- GPO BREAKER MTL637
- LAMP BREAKERS MTL631-636
- CONTROL VALVES MTL418
- BOT CYL HOSES MTL432,433
- TOP CYL HOSES MTL434,435
- VALVE RETURN HOSE :MTL423
- VALVE FEED HOSE MTL421
- AV MOUNT MTL 108

TERMINAL BOX : MTL616 BOOM REST : MTL195 ENCLOSURE : MTL175 LAMP BALLAST : MTL 603 TERMINAL BOX : MTL617



TOP CYLINDER HOSES : MTL434-435

TERMINAL BOX : MTL642

SLEW LOCK : MTL114-119

TOW COUPLING : MTL105

VEHICLE PLUG : MTL611

DOOR LATCH : MTL193 CLEARANCE LIGHT : MTL612 CONTROL VALVES : MTL418

LEVELLING JACK : MTL107

BRAKE CABLE ASSEMBLY : MTL109-112

LIGHT ASSEMBLY : MTL604

REPLACEMENT LAMP : MTL605 LIGHT MAST : MTL154 LOWER BOOM : MTL152 DOOR : MTL179 DOOR HINGE : MTL192

CURLY LAMP CABLE MTL638

BOOM PIVOT PIN : MTL159

TOP CYLINDER LOWER END PIN : MTL407

MAIN CYLINDER TOP PIN : MTL404

MAIN CYLINDER : MTL402

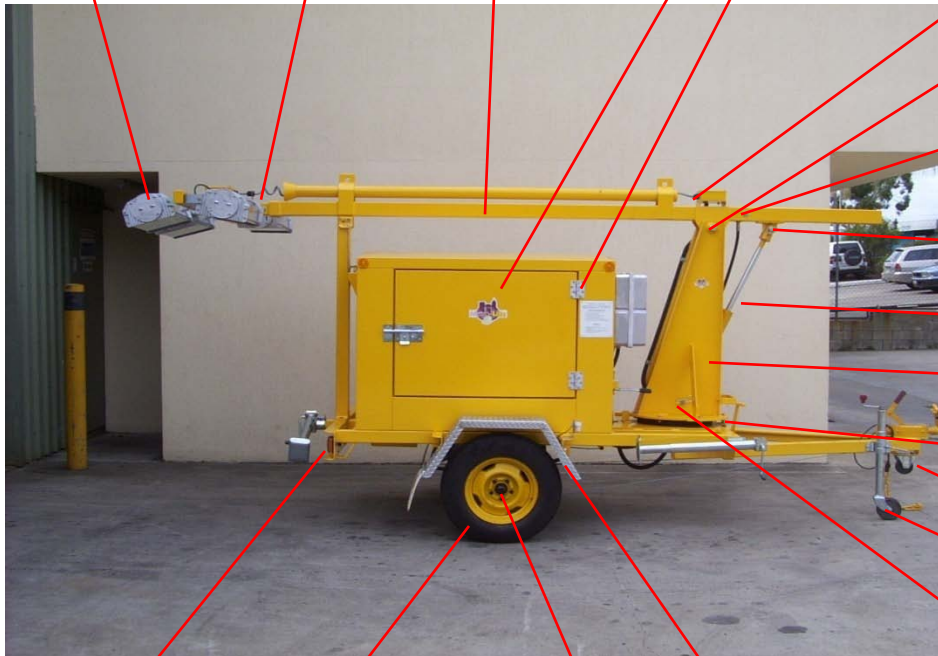
BOOM PEDESTAL : MTL151

PEDESTAL BEARING : MTL150

CASTOR WHEEL : MTL121

DOLLY WHEEL : MTL120

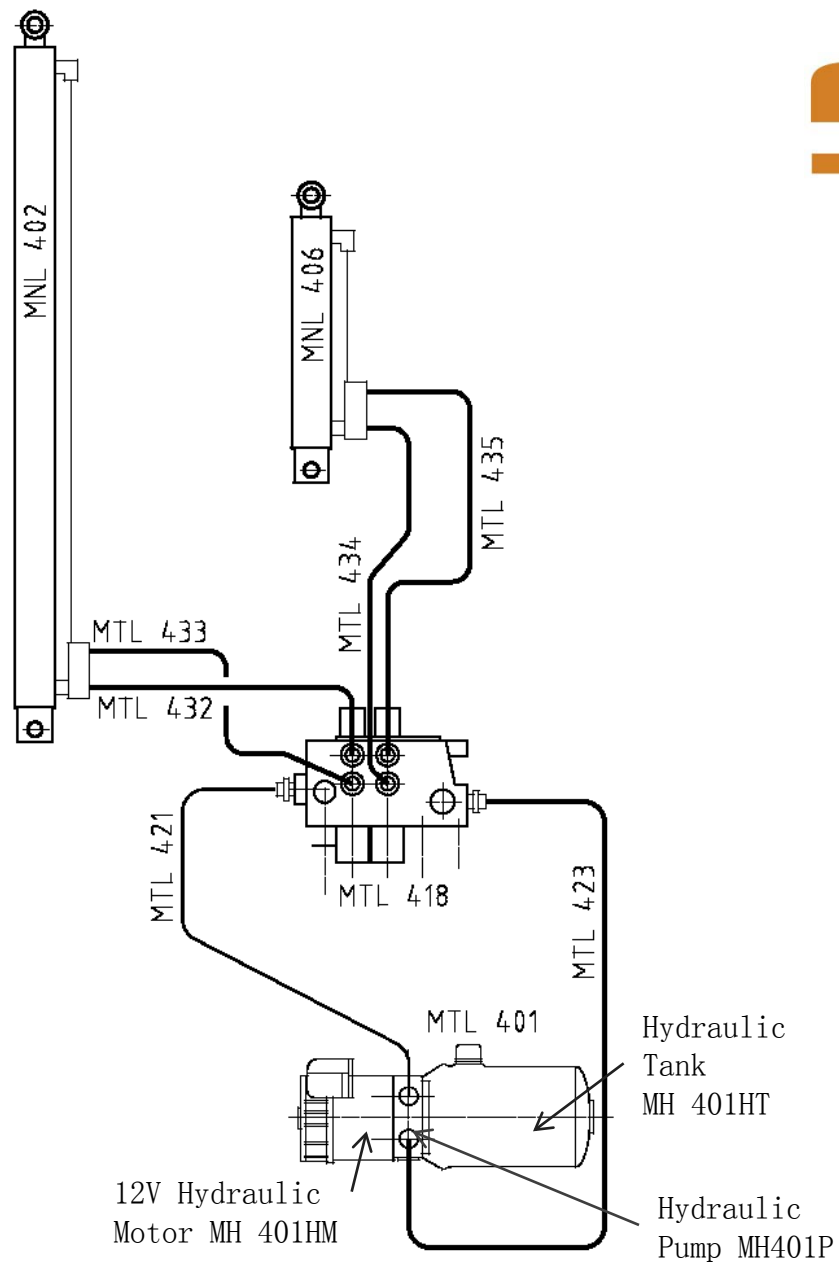
MAIN CYLINDER LOWER END PIN : MTL43



TAIL LIGHT : MTL610 14" WHEEL & TYRE : MTL103

AXLE ASSEMBLY : MTL102

MUDGUARD : MTL106



METROLIGHT - HYDRAULIC PARTS LISTING

Section 3.
SPARE PARTS LIST



METROLITE PARTS LISTING

Section	Description	Part Number
DOCUMENTATION	ARRANGEMENT	MTL 001
	HYDRAULIC CONNECTION DIAGRAM	MTL 002
	ELECTRICAL SCHEMATIC	MTL 003
	PARTS AND OPERATION MANUAL	MTL 004
TRAILER	MAIN FRAME	MTL 101
	AXLE ASSEMBLY	MTL 102
	WHEEL & TYRE	MTL 103
	SPRING ASSEMBLY	MTL 104
	SPRING ONLY	MTL 104-1024-A
	PIVOT ROCKER BAR	MTL 104-1038
	NYLON BUSH	MTL 104-1045
	ANTI-SWIVEL PLATE	MTL 104-1049
	SHACKLE PINS	MTL 104-1059
	PIVOT PINS	MTL 104-1059
	PIVOT PIN - MIDDLE	MTL 104-1061-A
	NYLOC NUT TO SUIT SHACKLE BOLT	MTL 104-1064
	NYLOC NUT TO SUIT PIVT PINS	MTL 104-1064
	U BOLT	MTL 104-1113
	NYLOC NUT TO SUIT U BOLT	MTL 104-1124
	HUB ASSEMBLY - REAR	MTL 104-1326
	HUB ASSEMBLY - FRONT	MTL 104-1427
	TOW COUPLING 50mm BALL	MTL 105
	MUDGUARD	MTL 106
	STABILISER ASSEMBLY	MTL 107
	ANTI VIBRATION MOUNT	MTL 108
	BRAKE CABLE	MTL 109
	BRAKE CABLE GRIP	MTL 110
	BRAKE CABLE TURNING PULLEY	MTL 111
	BRAKE CABLE TURNBUCKLE	MTL 112
	BOOM SLEW LOCK HANDLE	MTL 114
	BOOM SLEW LOCK MOUNT BRACKET	MTL 115
	BOOM SLEW LOCK LINK	MTL 116
	BOOM SLEW LOCK SPRING	MTL 117
	BOOM SLEW LOCK SPRING PIN	MTL 118
	BOOM SLEW LOCK PIN	MTL 119
CASTOR WHEEL	MTL 120	
DOLLY WHEEL	MTL 121	
BOOM	TURNTABLE BEARING	MTL 150
	BOOM SUPPORT PEDESTAL	MTL 151
	LOWER BOOM	MTL 152
	LIGHT MAST	MTL 154
	PEDESTAL / BOOM PIN	MTL 159
	SLEWING HANDLE	MTL 160
CANOPY	CANOPY CARCASE	MTL 175
	LH SIDE DOOR	MTL 179
	RH SIDE DOOR	MTL 180
	HOT AIR DISCHARGE DUCT	MTL 183
	DOOR HINGE	MTL 192
	DOOR LATCH	MTL 193
	BOOM REST	MTL 195
	DOOR SEAL RUBBER	MTL 196



METROLITE PARTS LISTING

Section	Description	Part Number	
ENGINE & SERVICES	ENGINE	MTL 201	
	FUEL PICK UP HOSE	MTL 202	
	FUEL RETURN HOSE	MTL 203	
	FUEL FILL CONNECTOR	MTL 204	
	FUEL VENT (if fitted)	MTL 205	
	FUEL GAUGE	MTL 206	
	BATTERY HOLD DOWN BAR	MTL 209	
	BATTERY HOLD DOWN HOOK BOLTS	MTL 210	
	ENGINE HEAT DIFFUSER	MTL 211	
	EXHAUST DISCHARGE BEND	MTL 212	
	EXHAUST GUARD	MTL 213	
	EXHAUST	MTL 214	
	EXHAUST SILENCER	MTL 215	
	EXHAUST TAIL PIPE	MTL 216	
	FUEL FILTER	MD 1174696	
	AIR FILTER	MD 2934587	
	OIL FILTER	MD 1174416	
	FAN / ALTERNATOR BELT	MD 2929933	
	HYDRAULIC	12V HYDAULIC MOTOR	MH 401HM
HYDRAULIC PUMP		MH 401HP	
HYDRAULIC TANK		MH 401HT	
POWER PACK		MTL 401	
BOOM STAGE 1 CYLINDER		MTL 402	
CYLINDER END PIN		MTL 403	
ROD END PIN		MTL 404	
PIN RETAINING CLIP		MTL 405	
BOOM STAGE 2 CYLINDER		MTL 406	
CYLINDER END BOLT		MTL 407	
ROD END BOLT		MTL 408	
BOOM CONTROL VALVES		MTL 418	
POWER PACK DISCHARGE HOSE		MTL 421	
VALVE BLOCK / POWER PACK RETURN HOSE		MTL 423	
MAIN BOOM CYLINDER EXTEND HOSE		MTL 432	
MAIN BOOM CYLINDER RETRACT HOSE		MTL 433	
UPPER BOOM CYLINDER EXTEND HOSE		MTL 434	
UPPER BOOM CYLINDER RETRACT HOSE		MTL 435	
HOSE MOUNTING BLOCK		MTL 438	
ELECTRICAL	ALTERNATOR	MTL 601	
	BALLAST	MTL 603	
	LAMP ASSEMBLY	MTL 604	
	REPLACEMENT LAMP	MTL 605	
	BATTERY	MTL 606	
	TRAILER TAIL LIGHT	MTL 610	
	VEHICLE CONNECTION PLUG & CABLE	MTL 611	
	SIDE CLEARANCE LIGHT	MTL 612	
	LOWER LIGHT CABLE FLEX AND GLANDS	MTL 613	
	UPPER LIGHT CABLE FLEX AND GLANDS	MTL 615	
	LIGHT MAST TERMINAL BOX	MTL 616	
	LIGHT CABLE TERMINAL BOX	MTL 617	
	DC CONTROL BOX	MTL 618	
	10 A GPO WITH SWITCH	MTL 619	
	HOUR RUN METER	MTL 621	
	OIL PRESSURE GAUGE	MTL 622	
	OIL TEMPERATURE GAUGE	MTL 623	



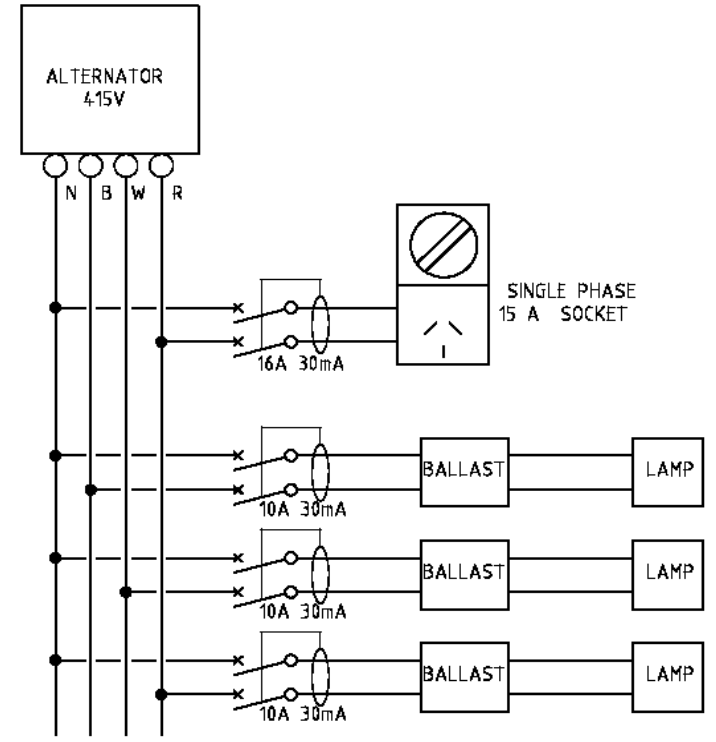
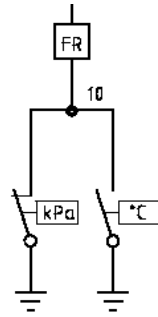
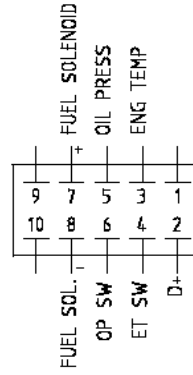
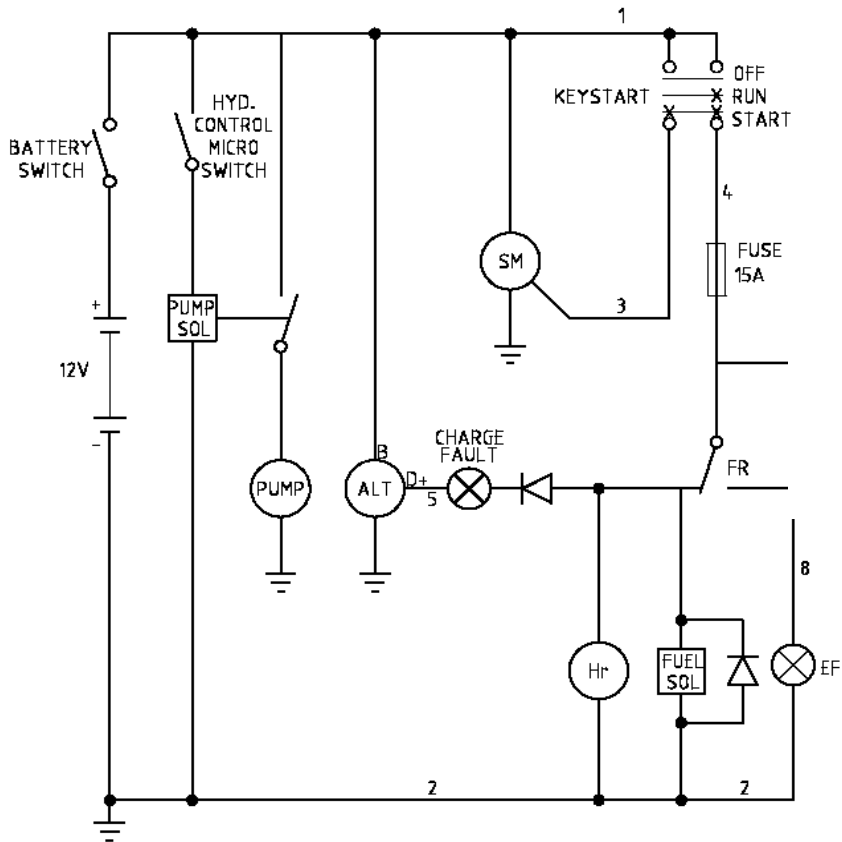
METROLITE PARTS LISTING

Section	Description	Part Number
	EMERGENCY STOP PUSHBUTTON	MTL 624
	BYPASS PUSHBUTTON	MTL 625
	ENGINE FAULT LAMP	MTL 627
	KEYSWITCH	MTL 630
	CHARGING FAULT LAMP	MTL 631
	LIGHT 1 SWITCH	MTL 633
	LIGHT 2 SWITCH	MTL 634
	LIGHT 3 SWITCH	MTL 635
	LIGHT 4 SWITCH	MTL 636
	MAIN SWITCH	MTL 637
	SELF COILING CABLE	MTL 638
	AVR	MTL 640
	AC CONTROL BOX	MTL 641
	LIGHT CABLE DISTRIBUTION BOX	MTL 642

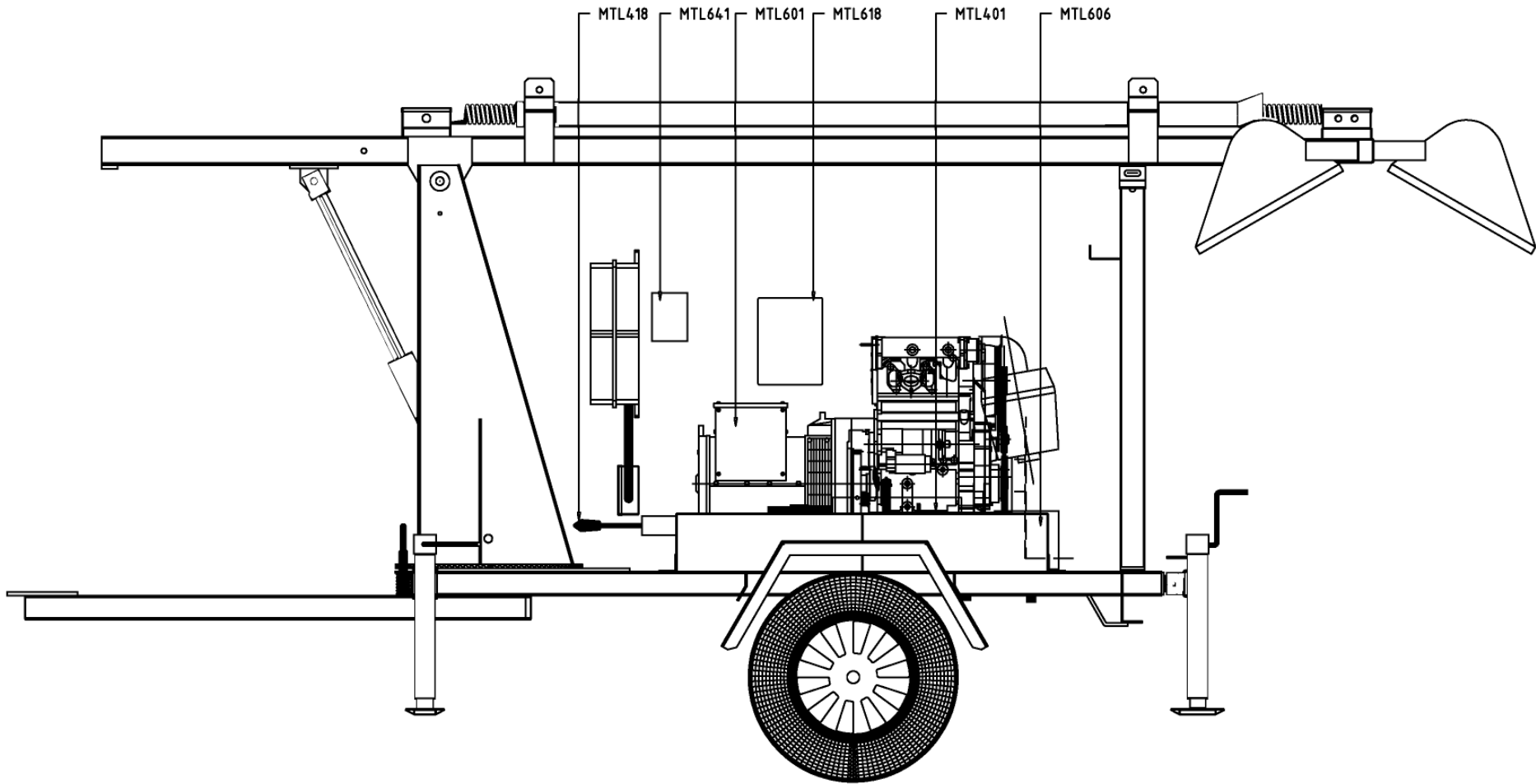
Section 4.
ELECTRICAL SCHEMATIC



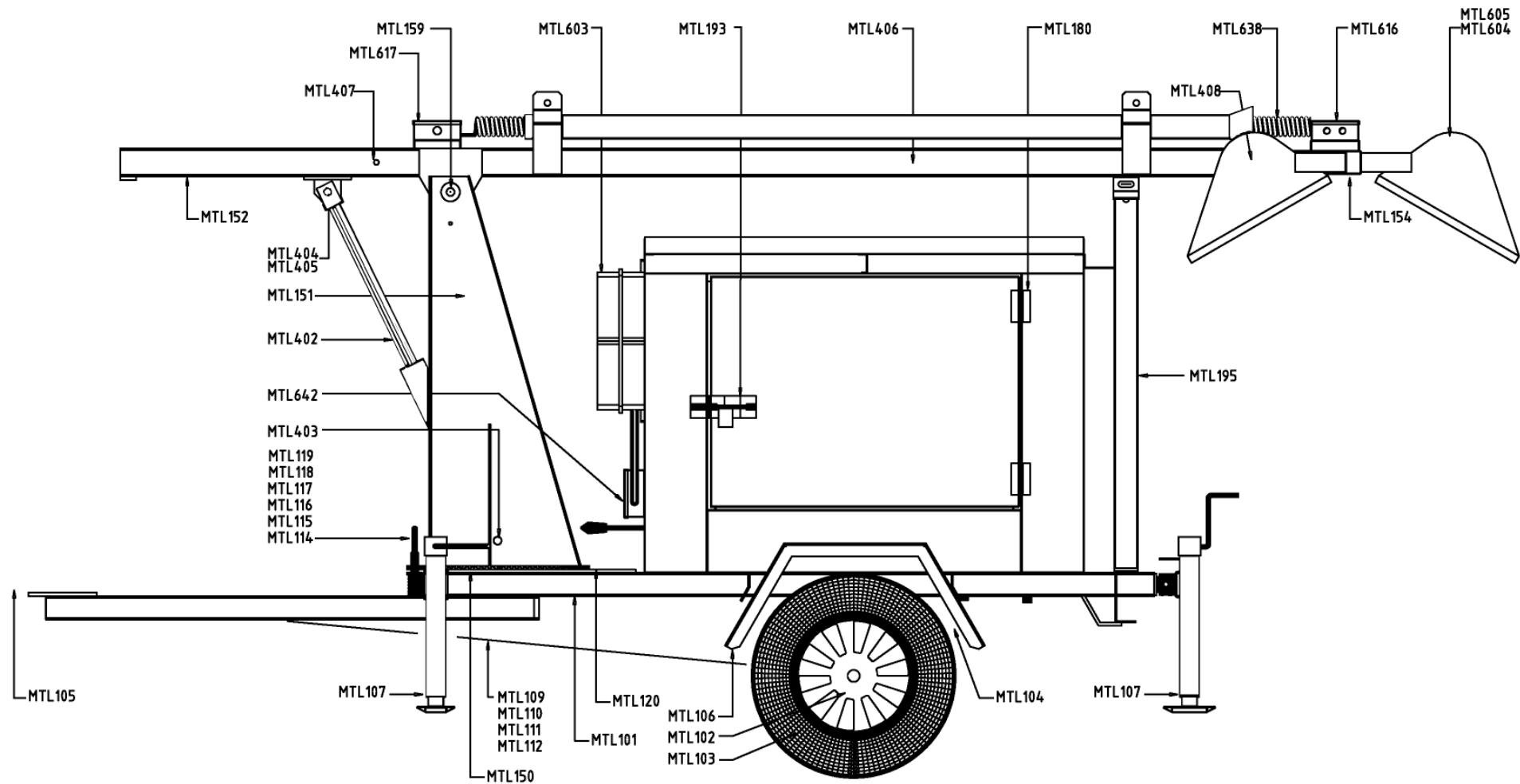
DEUTZ FL1011
ENGINE CONNECTION PLUG
(IF FITTED)



METROLIGHT – ELECTRICAL SCHEMATIC



ACOUSTIC ENCLOSURE NOT SHOWN



Section 5
SPARE PARTS FLYER



The SE Power's SPARE PARTS Division has a wide range of spare parts available for:

- INDUSTRIAL DIESEL ENGINES INCLUDING DEUTZ, CUMMINS, PERKINS & CATERPILLAR
- ALTERNATORS INCLUDING STAMFORD, LEROY SOMER AND MECC ALTE.
- SE POWER DIESEL GENERATOR SETS
- SE POWER GAS GENERATOR SETS
- SE POWER DIESEL DRIVEN PUMPS
- SE POWER GAS DRIVEN PUMPS
- SE POWER MOBILE LIGHTING PLANTS

Examples of Parts Available



- ◆ Fuel Stop Solenoids
- ◆ Fuel Pumps, etc.



- ◆ Generator Controllers
- ◆ Gauges, etc.



- ◆ Oil, Fuel and Air Filters
- ◆ Inner and Outer Filters



- ◆ Spark Plug Leads
- ◆ Spark Plugs



- ◆ Engine Exhaust and Inlet Valves
- ◆ Pistons, Rings, etc.
- ◆ All Engine Re-Build Kits and Accessories



- ◆ Starter Motors
- ◆ All Associated Electrical Equipment



- ◆ Complete Light Body Fixtures

- ◆ Lighting Bulbs to Suit Most Light Fixtures
- ◆ All Associated Control Gear



For more detailed information on spare parts and any of our other products and services, please don't hesitate to contact one of our friendly staff in the Spare Parts Division at SE Power.

Phone: (07) 3890 1744

