



47 Proprietary Street, Tingalpa Qld 4173
P.O. Box 3306 Tingalpa Qld 4173
Phone (07) 3890 1744
Facsimile (07) 3390 9723
A.B.N. 20 446 368 726

MIDNITE-LITE

OPERATION AND MAINTENANCE MANUAL

CONTENTS

Section 1	OPERATING INSTRUCTIONS
Section 2	OPERATING SPECIFICATIONS
Section 3	SPARE PARTS BREAKDOWN
Section 4.	HYDRAULIC SCHEMATIC
Section 5	ELECTRICAL SCHEMATIC



midnitelite

PROVEN POWER TO PERFORM



Section 1
OPERATING INSTRUCTIONS



PROVEN POWER TO PERFORM



OPERATING INSTRUCTIONS

1. Check for overhead electrical wires
2. Position trailer in required location, with rear of trailer facing area to be lighted
3. Level trailer frame using the 3 lever hydraulic bank
4. Trailer must be level before proceeding
5. Check engine fuel and oil levels
6. Start Engine
7. Check RCD / Earth Leakage
8. To lift boom to operating position
 - a) Lift top section to about 60°
 - b) Lift main section to limit of travel
 - c) Lift top section to extended position
 - d) Focus light beam to correct position
9. Switch on each light circuit breaker separately
10. To lower boom to travel position
 - a) Turn off lights
 - b) Position light beam to horizontal
 - c) Lower top section to mid-way (90°)
 - d) Lower main section to rest position
 - e) Continue lowering top section to rest position.
11. If moving, lower trailer wheels to ground, use front stabiliser to load onto towing vehicle
12. Retract all stabilisers to maximum ground clearance position.
13. Turn off engine.

WARNINGS

1. Ensure boom will be clear of overhead wires & building structures
2. Trailer must be level before operating boom
3. Jacks must be clear of ground before towing
4. Check RCD / Earth Leakage every day

All parts available from
S.E. Power Equipment
Ph: 1800 636 744
Ph: (07) 3890 1744



Section 2
OPERATING SPECIFICATIONS



PROVEN POWER TO PERFORM



MECHANICAL SPECIFICATION		ELECTRICAL SPECIFICATION	
LENGTH	4.8 m	ALTERNATOR	Stamford
WIDTH	2.4 m	LIGHTS	3 x 2000 watt
HEIGHT	2.8 m	OUTLET	1 x 415 V
RAISED MAST HEIGHT	10 m	DB LEVEL	90 @ 5m
HYDRAULIC POWER PACK	12 Volt DC	FEATURES	
HYDRAULIC STABILISERS	3	<ul style="list-style-type: none"> • Engine Shutdown • Circuit Breakers with Earth Leakage Protection • Slew-Light Focus • Lock Valves on Boom • Weatherproof Canopy Over Engine and Alternator • Chequer Plate Mudguards • Separate AC Panel with Door Isolation Switches • Lockable Battery Isolator. • Exterior Emergency Stop 	
WHEELS - SUNRAISER	16 "		
COUPLING	70 mm Ring		
BRAKES	No Brakes		
ENGINE	Deutz		
FUEL TANK CAPACITY	150 L		
ENGINE SUMP CAPACITY	6.5 L		

ALL SERVICE AND PARTS AVAILABLE THROUGH



47 Proprietary Street, Tingalpa. QLD 4173
P.O. Box 3306, Tingalpa B.C. QLD 4173
Telephone: (07) 3890 1744 Fax: (07) 3390 9723
1800 636 744

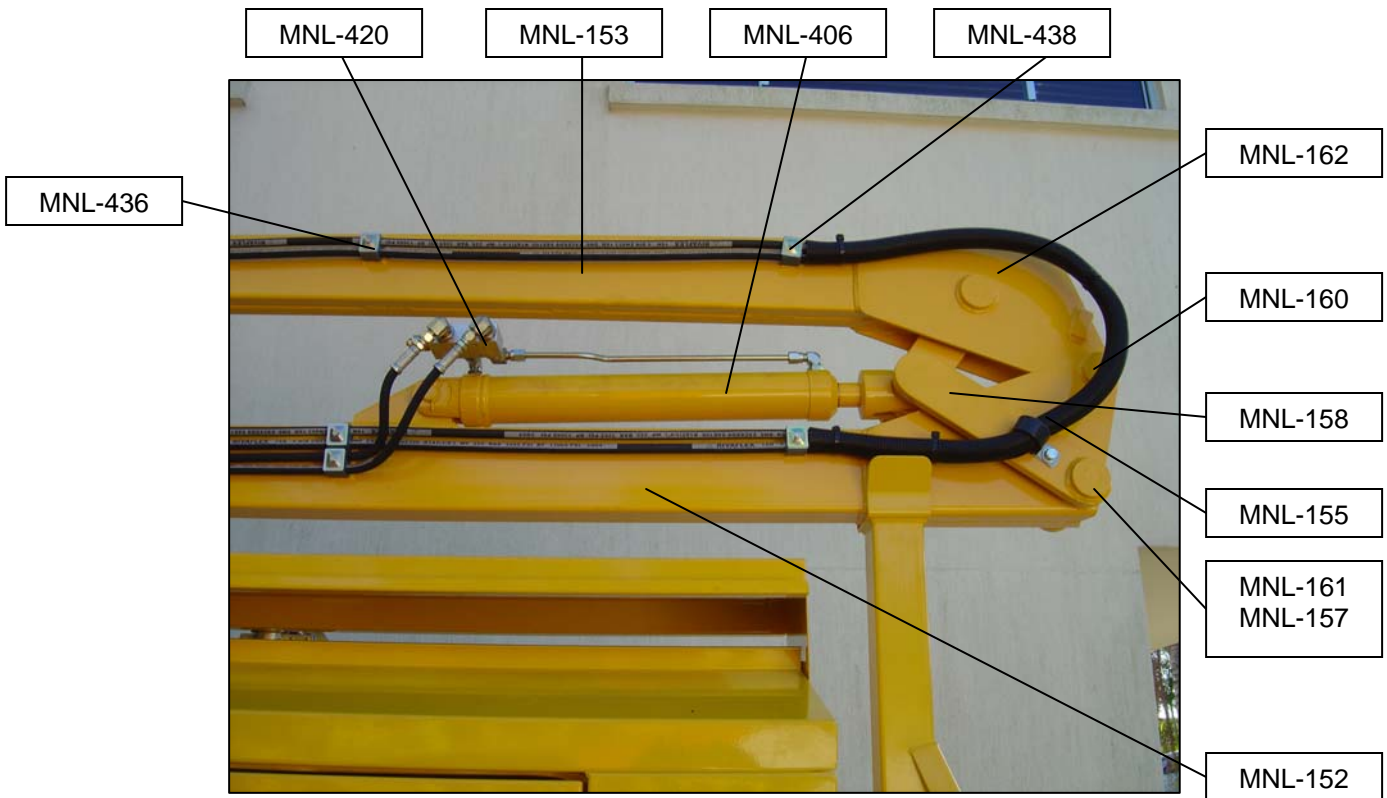
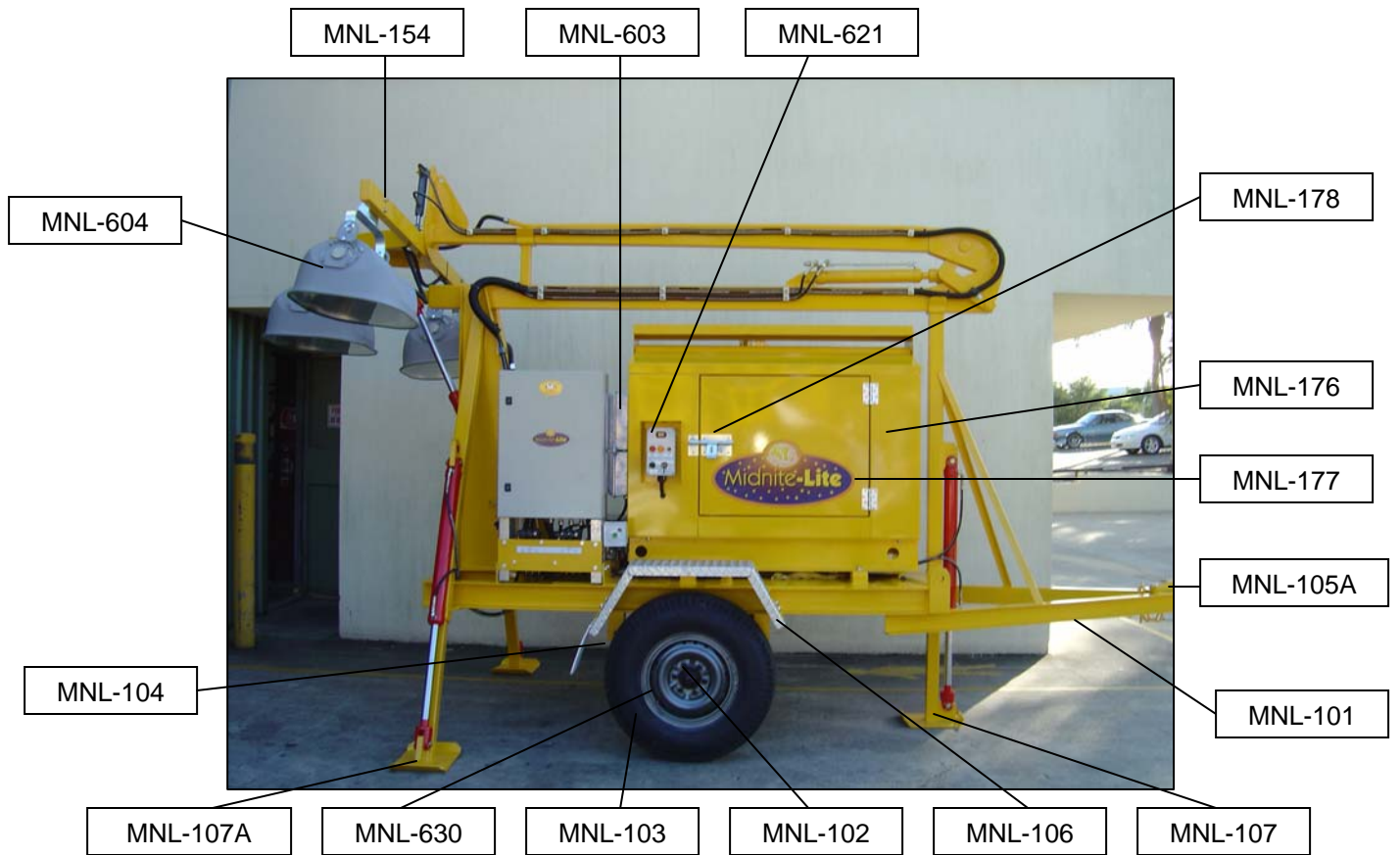
PROVEN POWER TO PERFORM



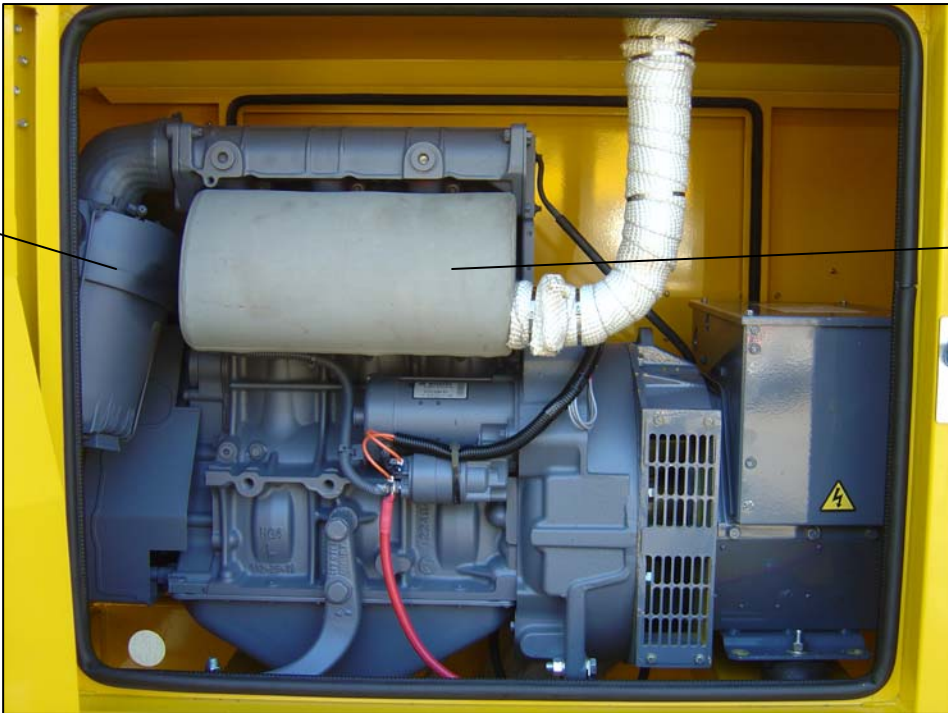
Section 3
SPARE PARTS BREAKDOWN



PROVEN POWER TO PERFORM



MNL-218



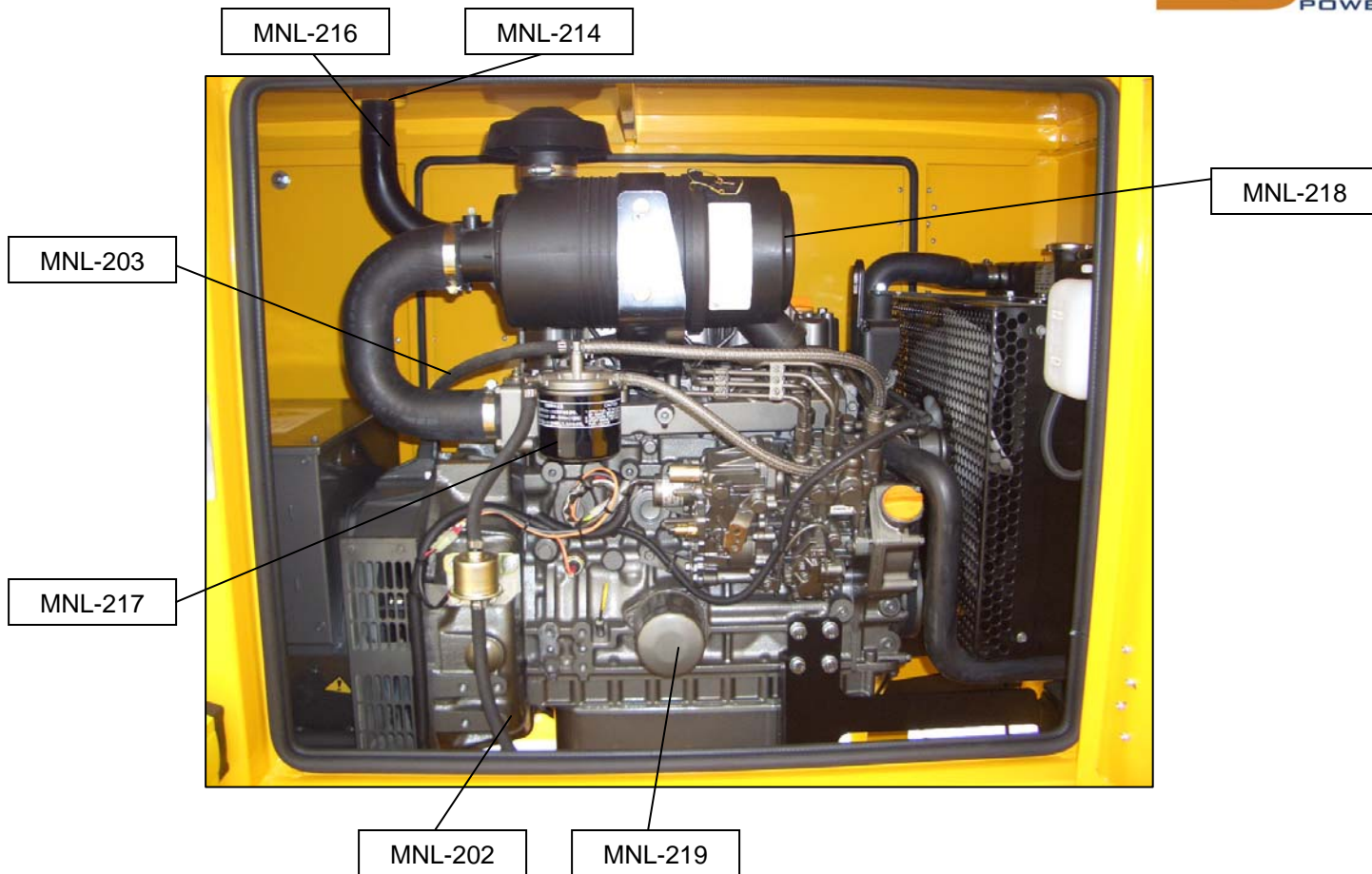
MNL-221

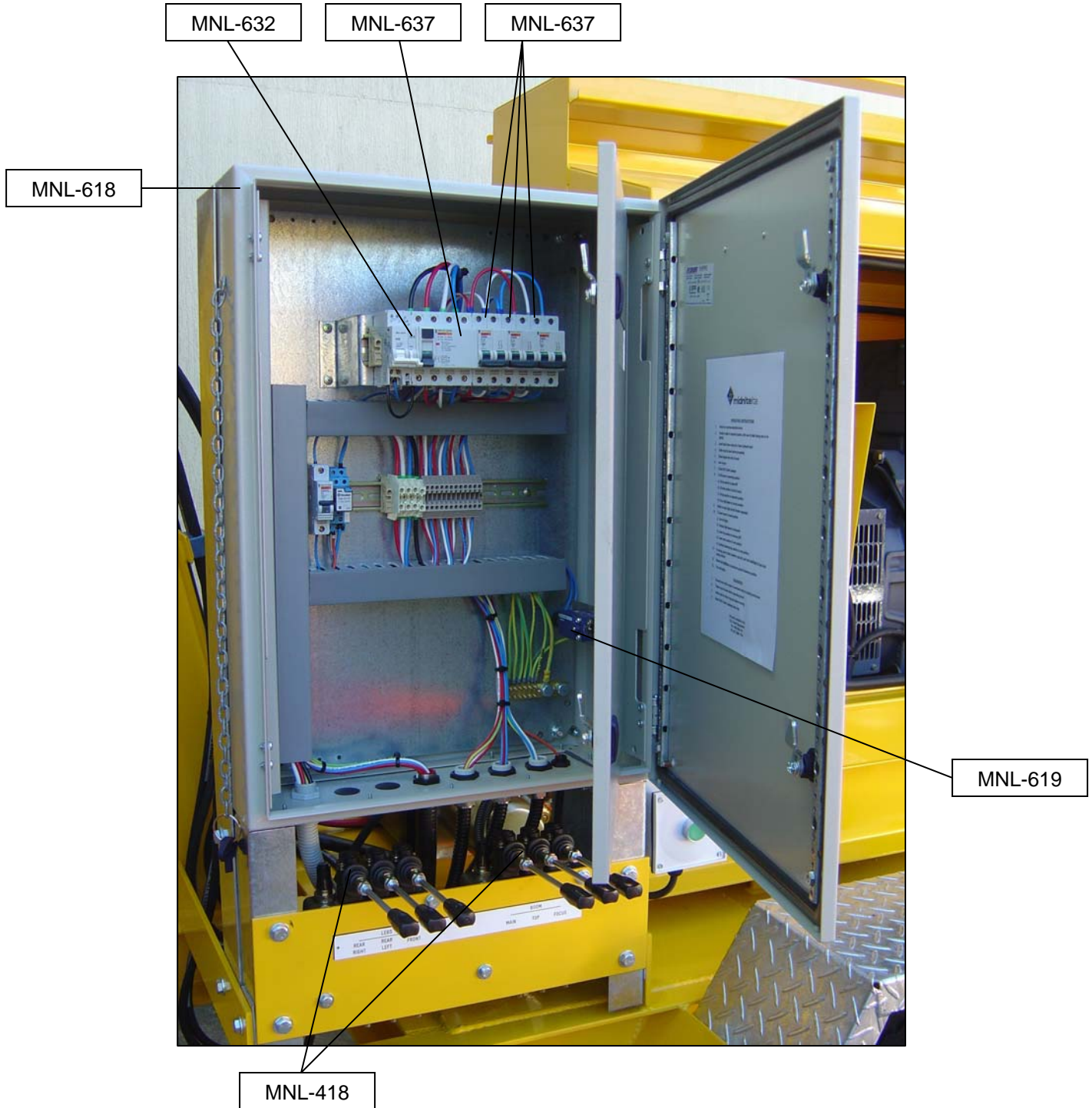


MNL-436

MNL-410

MNL-437





ALL SERVICE AND PARTS AVAILABLE THROUGH

SE POWER EQUIPMENT

47 Proprietary Street, Tingalpa. QLD 4173

P.O. Box 3306, Tingalpa B.C. QLD 4173

Telephone: (07) 3890 1744 Fax: (07) 3390 9723

1800 636 744

PROVEN POWER TO PERFORM



PARTS LISTING



	Section	Description	Part Number
	DOCUMENTATION	ARRANGEMENT	MNL 001
		HYDRAULIC CONNECTION DIAGRAM	MNL 002
		ELECTRICAL SCHEMATIC	MNL 003
		PARTS AND OPERATION MANUAL	MNL 004
	TRAILER	MAIN FRAME	MNL 101
		AXLE ASSEMBLY	MNL 102
		WHEEL & TYRE	MNL 103
		SPRING ASSEMBLY	MNL 104
		TOW COUPLING 50mm BALL	MNL 105
		TOW COUPLING 70mm EYE	MNL 105A
		MUDGUARD	MNL 106
		STABILISER FOOT STRAIGHT	MNL 107
		STABILISER FOOT ANGLED	MNL 107A
		ANTI VIBRATION MOUNT	MNL 108
		4 POST ROOF	MNL 175
		BOOM	LOWER BOOM
	UPPER BOOM		MNL 153
	LIGHT ARM		MNL 154
	BOOM CENTRE LOWER LINK		MNL 155
	BOOM CENTRE UPPER LINK		MNL 156
	BUSHING		MNL 157
	BUSHING		MNL 158
	PEDESTAL / BOOM PIN		MNL 159
	LOWER BOOM / UPPER BOOM PIN		MNL 160
	LOWER BOOM / LINK PIN		MNL 161
	UPPER BOOM / LINK PIN		MNL 162
	UPPER BOOM / LIGHT MAST PIN		MNL 163
	ELECTRICAL	ALTERNATOR	MNL 601
		BALLAST	MNL 603
		LAMP ASSEMBLY	MNL 604
		REPLACEMENT LAMP	MNL 605
		BATTERY	MNL 606
		LOWER LIGHT CABLE FLEX AND GLANDS	MNL 613
	MIDDLE LIGHT CABLE FLEX AND GLANDS	MNL 614	

	Section	Description	Part Number
	ELECTRICAL (Continued)	UPPER LIGHT CABLE FLEX AND GLANDS	MNL 615
		LIGHT MAST TERMINAL BOX	MNL 616
		LIGHT CABLE TERMINAL BOX	MNL 617
		CABINET	MNL 618
		DOOR SWITCH	MNL 619
		HOUR RUN METER	MNL 621
		RESET PUSHBUTTON	MNL 626
		KEYSWITCH PANEL	MNL 630
		RCD	MNL 632
		LIGHT 1 SWITCH	MNL 633
		LIGHT 2 SWITCH	MNL 634
		LIGHT 3 SWITCH	MNL 635
		CIRCUIT BREAKER	MNL 637
		AVR	MNL 640
		ENGINE CONTROLLER	MNL 645
	ENGINE & SERVICES	ENGINE	MNL 201
		FUEL PICK UP HOSE	MNL 202
		FUEL RETURN HOSE	MNL 203
		FUEL FILL CAP	MNL 204
		FUEL TANK VENT	MNL 205
		FUEL GAUGE	MNL 206
		SUMP DRAIN VALVE	MNL 208
		BATTERY HOLD DOWN BAR	MNL 209
		BATTERY HOLD DOWN HOOK BOLTS	MNL 210
		EXHAUST DISCHARGE PIPE	MNL 214
		EXHAUST PIPE U-BOLT	MNL 216
		FUEL FILTER	MNL 217
		AIR FILTER	MNL 218
		OIL FILTER	MNL 219
		FAN / ALTERNATOR BELT	MNL 220
	HYDRAULIC	POWER PACK	MNL 401
		BOOM STAGE 1 CYLINDER	MNL 402
		CYLINDER END PIN	MNL 403
		ROD END PIN	MNL 404
		PIN RETAINING CLIP	MNL 405
		BOOM STAGE 2 CYLINDER	MNL 406
		CYLINDER END PIN	MNL 407
		ROD END PIN	MNL 408
		PIN RETAINING CLIP	MNL 409
		BOOM FOCUS CYLINDER	MNL 410
		CYLINDER END PIN	MNL 411

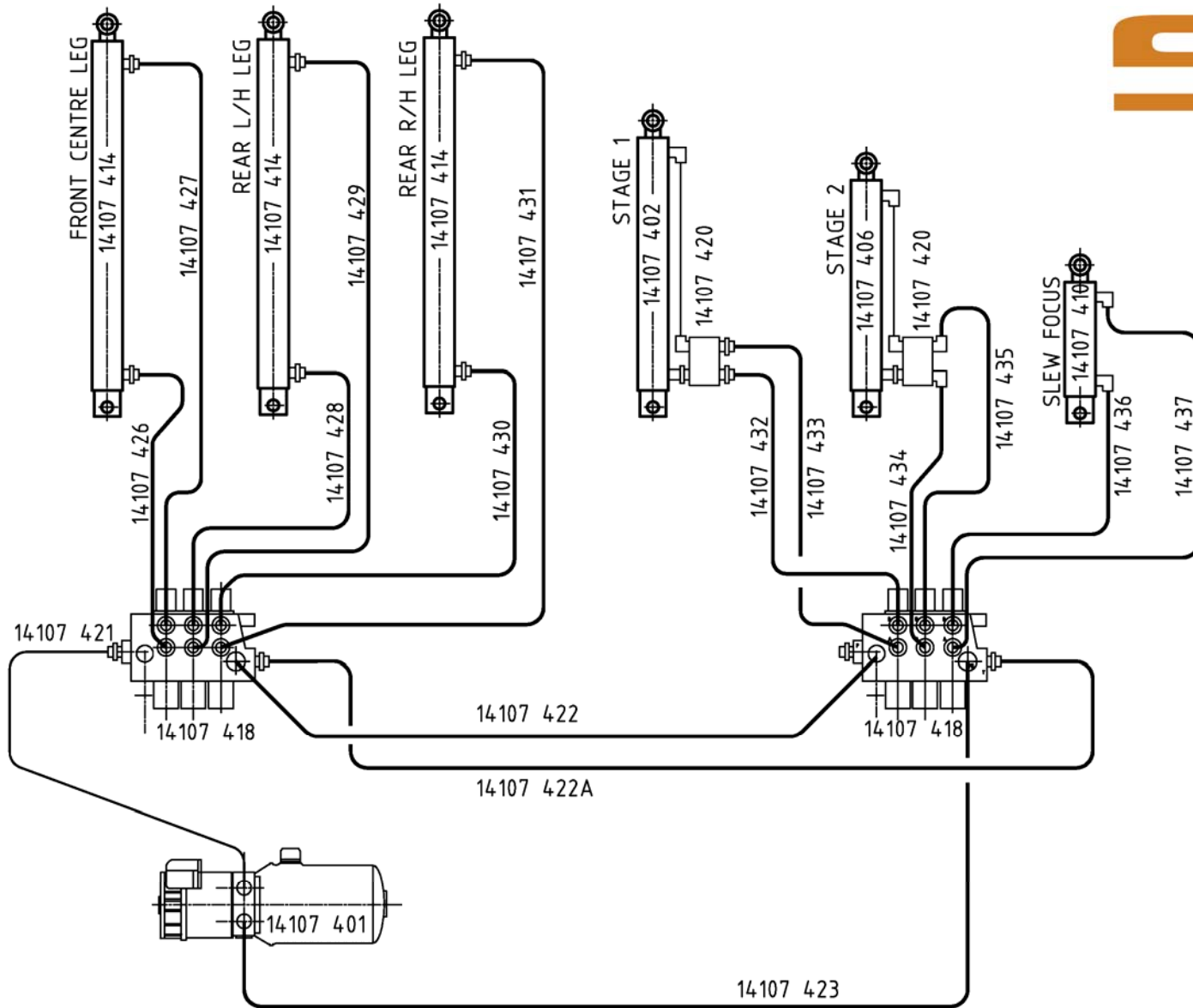
	Section	Description	Part Number
	HYDRAULIC (Continued)	ROD END PIN	MNL 412
		PIN RETAINING CLIP	MNL 413
		STABILISER CYLINDER	MNL 414
		CYLINDER END PIN	MNL 415
		ROD END PIN	MNL 416
		PIN RETAINING CLIP	MNL 417
		BOOM CONTROL VALVES	MNL 418
		STABILISER CONTROL VALVES	MNL 418
		CYLINDER LOCK VALVE	MNL 420
		POWER PACK DISCHARGE HOSE	MNL 421
		VALVE BLOCK INTERCONNECTION HOSE	MNL 422
		VALVE BLOCK / POWER PACK RETRACT HOSE	MNL 423
		FRONT STABILISER EXTEND HOSE	MNL 424
		FRONT STABILISER RETRACT HOSE	MNL 425
		REAR LEFT STABILISER EXTEND HOSE	MNL 428
		REAR LEFT STABILISER RETRACT HOSE	MNL 429
		REAR RIGHT STABILISER EXTEND HOSE	MNL 430
		REAR RIGHT STABILISER RETRACT HOSE	MNL 431
		MAIN BOOM CYLINDER EXTEND HOSE	MNL 432
		MAIN BOOM CYLINDER RETRACT HOSE	MNL 433
		UPPER BOOM CYLINDER EXTEND HOSE	MNL 434
		UPPER BOOM CYLINDER RETRACT HOSE	MNL 435
		FOCUS CYLINDER EXTEND HOSE	MNL 436
		FOCUS CYLINDER RETRACT HOSE	MNL 437
		HOSE MOUNTING BLOCK	MNL 438
	ANCILIARIES	FIRE EXTINGUISHER	MNL 439
		JUMP START RECEPTACLE	MNL 440
		WIGGINS FILL	MNL 441
		WIGGINS VENT	MNL 442
		LOCKABLE ISOLATOR	MNL 443
		WHEEL CHOCKS	MNL 444
		SOLENOID VALVE ASSEMBLY	MNL 445
		LOCK VALVE	MNL 446
		PRESSURE SWITCH	MNL 447



Section 4.
HYDRAULIC SCHEMATIC



PROVEN POWER TO PERFORM



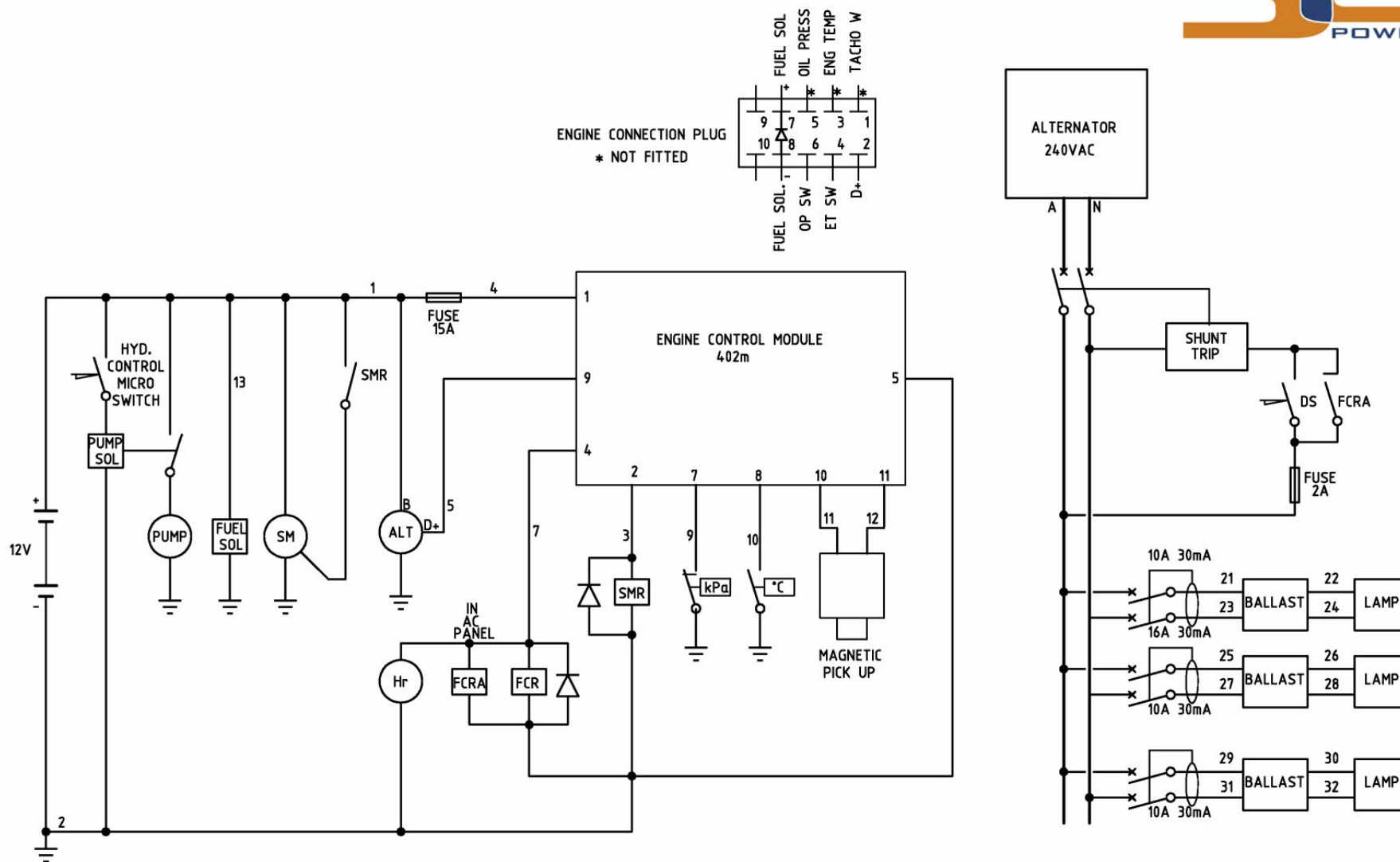
MIDNITE-LITE HYDRAULIC COMPONENTS



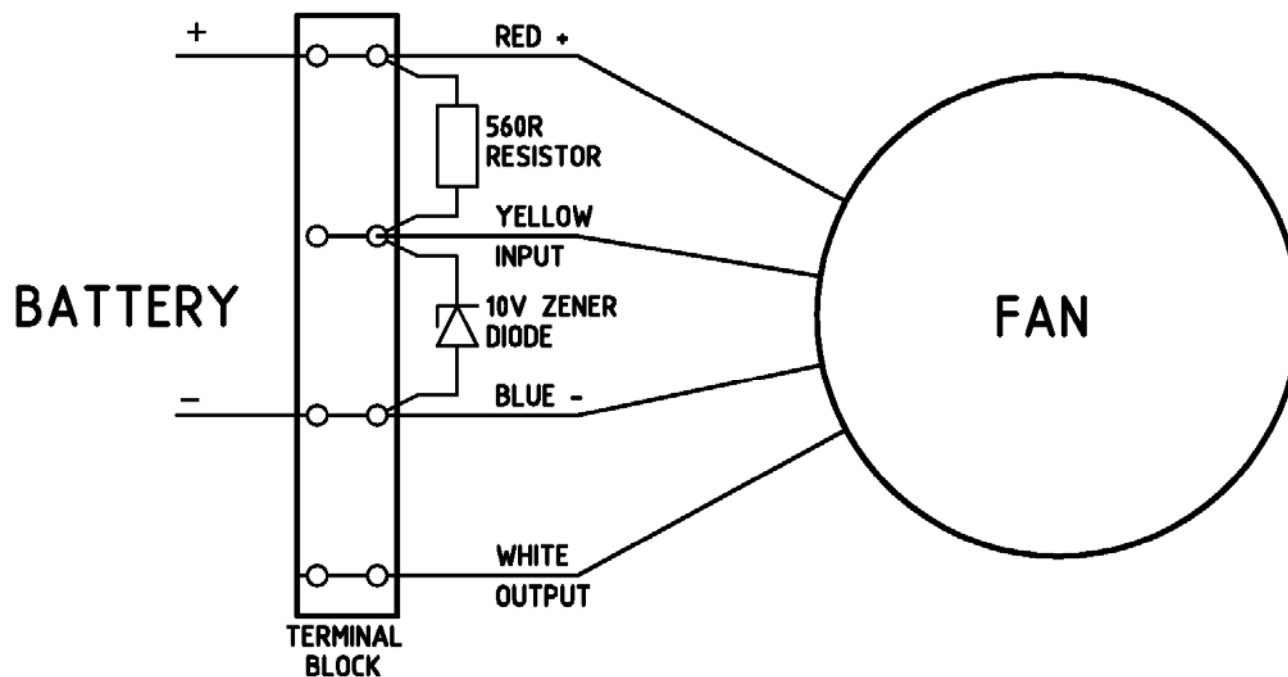
Section 5
ELECTRICAL SCHEMATIC



PROVEN POWER TO PERFORM



MIDNITE-LITE ELECTRICAL SCHEMATIC



FAN WIRING SCHEMATIC

Proven Power to Perform