

STIHL[®]

STIHL SE 121

Gebrauchsanleitung



**Instruction Manual
Notice d'emploi
Instrucciones de servicio
Skötselanvisning
Istruzioni d'uso
Betjeningsvejledning
Bruksanvisning
Instruções de serviço
Návod na obsluhu
Handleiding
Инструкция по эксплуатации
οδηγίες χρήσης
使用説明書
Instrukcja użytkowania
Eksploataavimo instrukcija
Instrucțiuni de utilizare**



Contents

BA_SE_125_002_01_04.fm

Printed on chlorine-free paper.
 Printing inks contain vegetable oils; paper can be recycled.

© ANDREAS STIHL AG & Co. KG, 2007
 0488 645 9821, M4, A7, FST. Printed in Germany

Guide to Using this Manual	16
Important safety instructions	17
Intended use	18
Start-up	18
Parking the machine	19
Connect vacuum unit to power supply, operation	19
Cleaning the filter element	21
Emptying the container	21
Replacing the filter element	22
Storage	23
Minimize wear and avoid damage	23
Remedying faults	24
Main parts of the machine	25
Specifications	26
Special accessories	26
Maintenance and Repairs	26
Disposal	27
Certificate of conformity	27
Quality Certification	28

Dear Customer,

Thank you for choosing a quality
engineered STIHL product.

This machine has been built using
modern production techniques and
comprehensive quality assurance.
Every effort has been made to ensure
your satisfaction and troublefree use
of the machine.

Please contact your dealer or our
sales company if you have any
queries concerning your machine.



Hans Peter Stihl



STIHL®

SE 121, SE 121 E

Guide to Using this Manual

Pictograms

All the pictograms attached to the machine are shown and explained in this manual.

The operating and handling instructions are supported by illustrations.

Symbols in text

The individual steps or procedures described in the manual may be marked in different ways:

- A bullet marks a step or procedure without direct reference to an illustration.


A description of a step or procedure that refers directly to an illustration may contain item numbers that appear in the illustration.


Example:


Loosen the screw **(1)**


Lever **(2)** ...

In addition to the operating instructions, this manual may contain paragraphs that require your special attention. Such paragraphs are marked with the symbols described below:

 Warning where there is a risk of an accident or personal injury or serious damage to property.

 Caution where there is a risk of damaging the machine or its individual components.

 Note or hint which is not essential for using the machine, but may improve the operator's understanding of the situation and result in better use of the machine.

 Note or hint on correct procedure in order to avoid damage to the environment.

* Equipment and features

This instruction manual may refer to several models with different features. Components that are not installed on all models and related applications are marked with an asterisk (*). Such components may be available as special accessories from your STIHL dealer.

Engineering improvements

STIHL's philosophy is to continually improve all of its products. As a result, engineering changes and improvements are made from time to time. If the operating characteristics or the appearance of your machine differ from those described in this manual, please contact your STIHL dealer for assistance.

Therefore some changes, modifications and improvements may not be covered in this manual.

Important safety instructions

General



Particular safety precautions must be taken when working with the machine. The power connection is a particular source of danger.



Read all instructions before using this machine. The following safety precautions must be observed.

Before starting work, always check that your vacuum cleaner is operating correctly and is in good condition. Pay special attention to the power cable and plug.

The machine may only be used by duly trained and authorized operators. The machine must never be used by adolescents.

Keep children, animals and bystanders at a safe distance.

The machine may only be operated with an undamaged filter element.



Never attempt to pick up flammable materials (hot ashes, inflammable explosive dust, glowing cigarettes, etc.) or combustible liquids (petrol, thinners, etc.).

The machine cannot be used to vacuum physiologically harmful dust.



Risk of fire or explosion

Avoid damage to the power cable by rolling over, crushing or pulling it.

Never pull the power cable to disconnect the plug from the wall outlet. Always grasp the plug, never the cable, to unplug.

Inspect the power cable regularly for signs of damage or ageing. Never use the machine if the power cable is damaged in any way – risk of electrocution.



The main plug must be disconnected immediately if the power cable is damaged – electric shocks can kill.

Always remove the paper filter bag and check correct operation of the float before using the vacuum cleaner to pick up liquids or wet materials. Always use the filter element. Stop work immediately and empty the container if foam forms.

Never modify your vacuum cleaner in any way, as this could be extremely dangerous.

Only carry out the maintenance work and repairs described in this manual. Other work should be performed by your STIHL servicing dealer.

Only use original replacement parts.

Always disconnect the plug from the power supply (unplug it) before performing any kind of work on the machine.

The power cable may only be repaired or replaced by authorized personnel.

All plugs and connectors for power cables must at least be splash-proof.

The machine must be unplugged from the power supply before cleaning or servicing it and before replacing any parts.

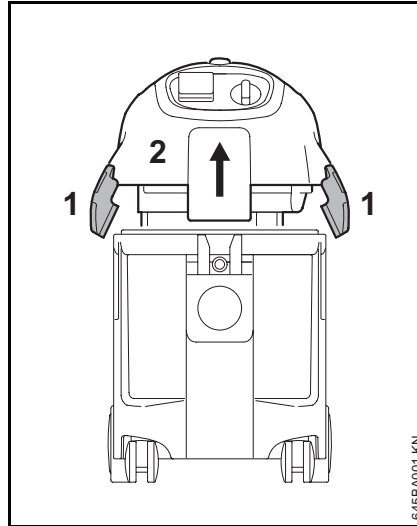
Never spray the upper part of the vacuum cleaner with water: danger to people, risk of short-circuiting.

Intended use

For vacuuming:

- Dry, non-flammable materials (dust, dirt, broken glass, wood or metal shavings, sand, etc.)
- Non-flammable liquids (dirty water, spilled juices, etc.)
- Also suitable for more demanding use in industrial applications

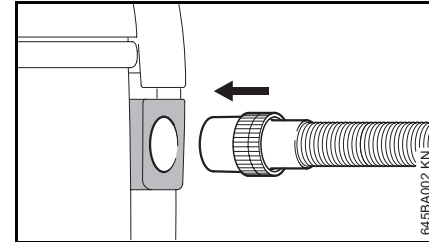
Start-up



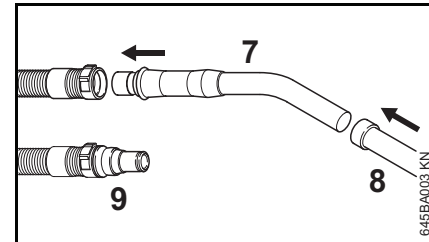
The machine must not be plugged into the mains socket while carrying out the following operations.

- Release catches (1)
- Lift upper part of vacuum unit (2) vertically upwards
- Remove accessories from container
- Insert filter bag in vacuum unit (instructions are printed on the bag)
- Refit upper part of vacuum unit and engage catches

💡 Ensure that catches are fitted correctly.



- Insert suction hose into intake port

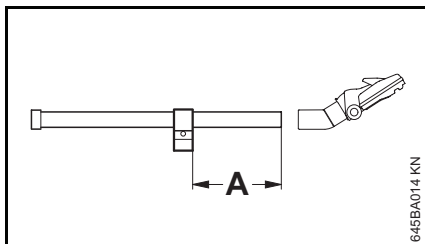


- Push handle tube (7) into sleeve of suction hose
- Push extension tube (8) onto handle tube

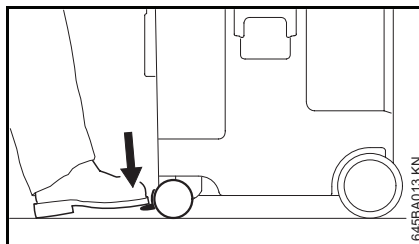
SE 121 E

Fit sleeve for power tools on end of hose (9)

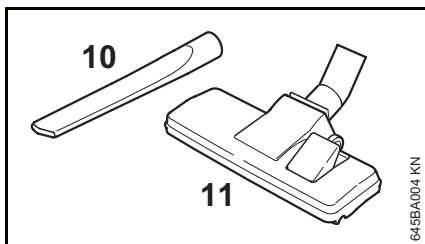
Parking the machine



- Attach suction tube holder approx. 20 cm (**A**) from bottom end of extension tube



The parking brake may be applied on the swivel wheel to lock the machine in one position.



- Fit a crevice tool (**10**) or floor tool (**11**) on the extension tube as required.

Connect vacuum unit to power supply, operation

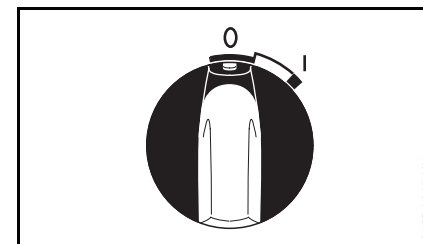
The operating voltage specified on the rating plate must match that of the mains power supply. The rating plate is located on the rear of the upper part of the vacuum unit.

- Ensure that the vacuum unit is switched off
- Plug the power cable into a correctly installed socket.

Observe the minimum cable cross-sections when using extension leads.

Cable length	Cross-section
Up to 20 m	1.5 mm ²
20 m to 50 m	2.5 mm ²

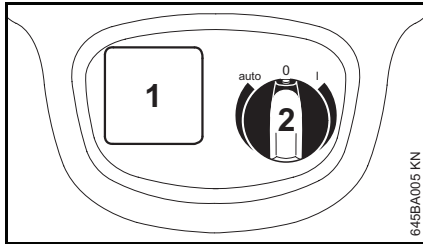
SE 121



Switch positions

- 0** = Vacuum unit OFF
- I** = Vacuum unit ON

SE 121 E



- Other machines (up to 2400 W) are connected to the socket (1) outlet on the machine.
- The machine is switched on and off or to automatic operation via the switch (2). The suction force is adjusted manually by turning the switch further.

Switch positions

0

Vacuum unit is switched off, the socket cannot be used

I

Vacuum unit is switched on, the socket cannot be used


auto

The machine connected to the socket on the vacuum unit switches the vacuum unit on and off via the automatic switch-on function

Switch off the connected machine before moving the switch to the "auto" position.


The motor continues to run for a few seconds after switching off in order to empty the suction hose.

Vacuumping dry matter


 Flammable materials must not be vacuumed.

Always ensure that the filter bag has been fitted in the container before vacuuming dry materials. This makes it easier to dispose of the vacuumed material. Dry matter can also be vacuumed without filter bag.

Vacuumping liquids

 Flammable liquids must not be vacuumed.

Always remove the paper filter bag and check correct operation of the float before vacuuming liquids. The float interrupts the air stream when the container is full. The filter element should be replaced by a special cartridge* if the vacuum unit is used exclusively for wet vacuuming.

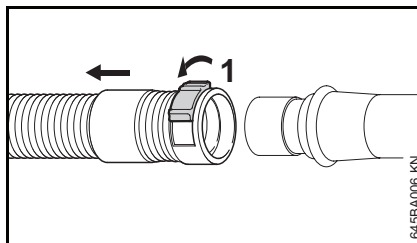
 The filter element is damp after vacuuming liquids. The filter element may clog more quickly if dry matter is vacuumed while it is still damp. For this reason, the filter element should be dried or replaced by a dry filter element before vacuuming dry matter.

* Special accessory

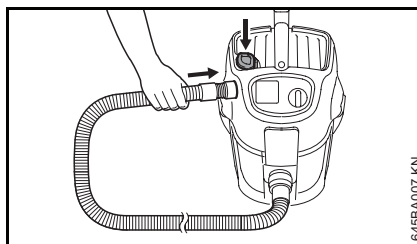
Cleaning the filter element

After use

- Unplug the power cable from the mains socket
 - Wind up the power cable and hang it over the handle
 - Empty the container and clean the vacuum unit
- After vacuuming liquids:
- Remove the upper part of the vacuum unit so that the filter element can dry



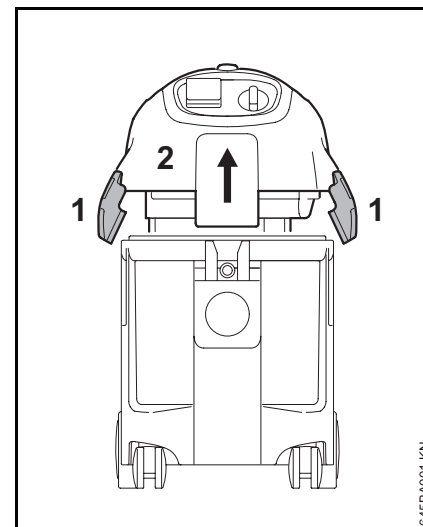
- Switch on vacuum unit
- Push slide (1) to release sleeve on hose
- Remove sleeve



- Seal suction hose at sleeve – press sleeve firmly against upper part of vacuum unit
- Press filter cleaning button three times

Accumulated dust is cleared from the filter element.

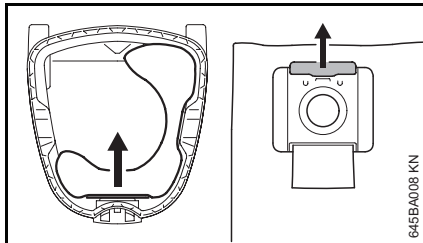
Emptying the container



- Switch off machine
- Unplug machine from mains socket
- Release catches (1)
- Lift upper part of vacuum unit (2) vertically upwards

When dry-vacuuming without filter bag and when picking up liquids:

- Empty the container and dispose of the contents in accordance with regulations
- Refit upper part of vacuum unit

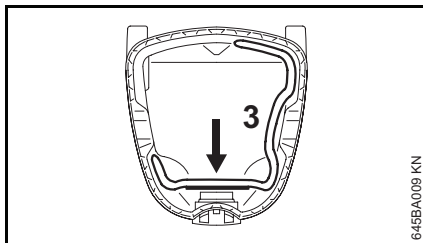


Refit upper part of vacuum unit

- Clean edge of container
- Refit upper part of vacuum unit
- Clean sleeve and intake port before fitting the suction hose

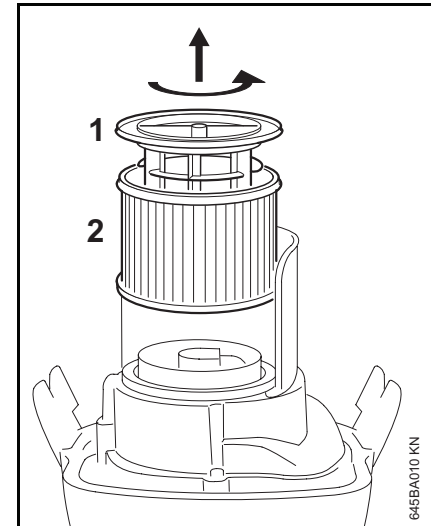
When dry-vacuuming with filter bag:

- Pull filter bag sleeve off intake port and seal opening in filter bag sleeve with slide
- Carefully remove filter bag from container and dispose of it in accordance with statutory regulations



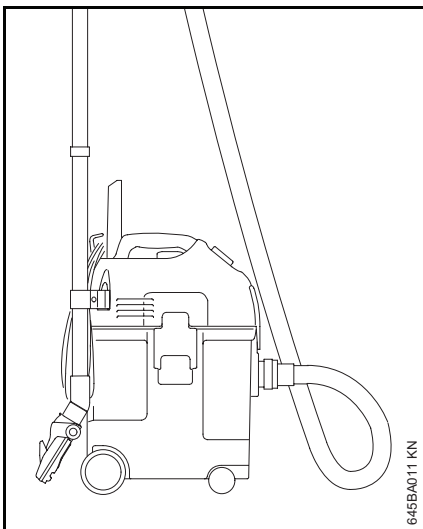
- Fit a new filter bag (3) (instructions are printed on the bag)
- Push filter bag sleeve onto intake port as far as possible

Replacing the filter element



- Unplug machine from mains socket
- Remove upper part of vacuum unit and turn it over
- Unscrew filter cage (1)
- Remove filter element (2) and dispose of it in accordance with statutory regulations
- Fit a new filter element in reverse order of steps
- Check correct operation of the float: the float must move easily when the filter cage is turned
- Refit upper part of vacuum unit
- ⚙️ Never work without the filter element.

Storage



The vacuum cleaner should be stored in a dry place where it is safe from unauthorized use.

Minimize wear and avoid damage

Excess wear and damage to the device can be avoided by observing the instructions in this booklet.

The device must be used, serviced and stored following the precautions in this booklet.

The user is responsible for all damage due to non-compliance with the safety, operating and maintenance instructions. This applies to the following in particular:

- Modifications to the product not authorized by STIHL
- The use of accessories that are impermissible or unsuitable for the device or are of inferior quality
- Improper use of the device
- Use of the device in sports or competitive events
- Damage from using the device with defective parts
- Damage due to operation with the wrong power supply

Service tasks

All of the tasks listed in the section "Service and Care Instructions" must be performed regularly. If the user is unable to do these service tasks, hire a dealer.

STIHL recommends that you only use STIHL dealers for service and repairs. STIHL dealers are regularly trained and provided with technical information.

If these tasks are not done right or at all, damage can ensue for which the user is responsible. This includes:

- Damage to device components from untimely or insufficient service
- Corrosion and other damage due to incorrect storage
- Damage to the device from using inferior-quality replacement parts

Remedying faults

Wear parts

Some parts of the power tool are subject to normal wear and tear even when the machine is used for its intended purpose. These parts must be replaced in good time, depending on the nature and duration of use.

Such parts include the following, for example:

- Filter element, filter bag
- Carbon brushes

Fault: Motor does not start

Cause	Remedy
Mains fuse disconnected	Check and reconnect mains fuse
Overload protection tripped	Leave vacuum to cool for approx. 5 minutes

Fault: Motor does not run in automatic mode

Cause	Remedy
Power tool defective or not plugged in correctly	Check correct operation of power tool or plug in correctly

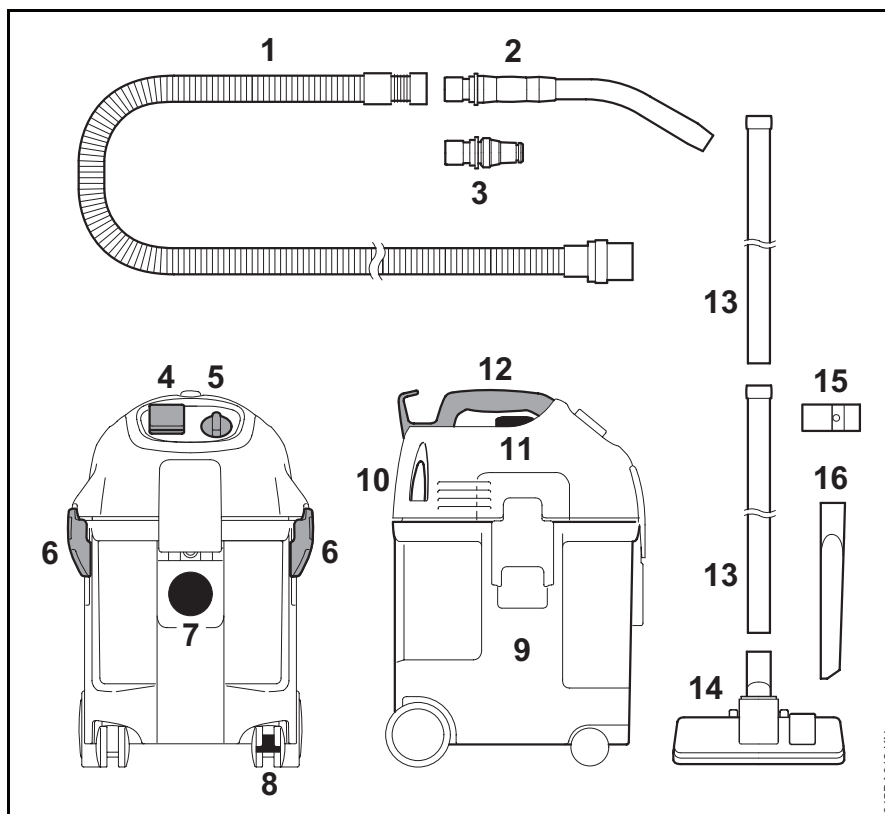
Fault: Reduced vacuuming performance

Cause	Remedy
Suction force manually set to an excessively low level	See "Operation"
Filter bag full	See "Emptying the container"
Suction hose / nozzle clogged	Clean suction hose / nozzle
Filter element soiled	See "Cleaning the filter element" or "Replacing the filter element"
Seal between upper part of vacuum unit and container soiled or defective	Clean or replace the seal

Fault: No suction when picking up liquids

Cause	Remedy
Container is full (float seals the suction opening)	See "Emptying the container"

Main parts of the machine



1 = Suction hose

2 = Handle tube

3 = Sleeve for power tool ¹⁾

4 = Socket outlet for power tool ¹⁾

5 = Switch

6 = Catches

7 = Intake port for connecting the suction hose

8 = Castor with parking brake

9 = Container

10 = Holder for nozzles and accessories

11 = Filter cleaning button

12 = Handle

13 = Suction tube

14 = Floor tool

15 = Suction tube holder

16 = Crevice tool

¹⁾ Only for SE 121 E

Specifications

Voltage	230 - 240 V (110 V ¹⁾)
Frequency	50 -60 Hz
Power consumption	
- Maximum	1500 W
- Acc. to EN 60335-2-69	1200 W
Fuse	16 A (15 A ¹⁾)
Protection class SE 121	2
Type of protection	IP X4
Max. intake capacity	
- Air	3600 l/min
Max. vacuum	230 mbar
Length approx	390 mm
Width approx.	380 mm
Height approx.	570 mm
Suction hose	
- Length	3 m
- Diameter, inside	36 mm
Container capacity	27 l
Weight approx.	10 kg
Sound pressure level at a distance of 1 m	62 dB(A)

1) Great Britain, 110 V version

Special accessories

Filter bag

Filter element

Wet vacuuming nozzle – for wet-vacuuming large areas

Coupling – for connecting nozzles directly to the suction hose

Machine sleeve ¹⁾ – for connecting a power tool to the suction hose

Connecting element – for connecting suction hoses

Suction hose ND 27, 3.5 m

Suction hose ND 27, 3.5 m ²⁾ (antistatic)

Further information on these and other special accessories is available from your STIHL dealer.

1) Already included with the SE 121 E

2) Only for SE 121 E


Maintenance and Repairs

Users of this machine may only carry out the maintenance and service work described in this user manual. All other repairs must be carried out by a servicing dealer.

STIHL recommends that all maintenance and repair work be carried out by an authorized STIHL dealer. STIHL dealers regularly attend training courses and are supplied with the necessary technical information.

When repairing the machine, only use replacement parts which have been approved by STIHL for this power tool or are technically equivalent. Only use high-quality replacement parts in order to avoid the risk of accidents or damage to the machine.

STIHL recommends the use of genuine STIHL replacement parts.

Original STIHL parts can be identified by the STIHL part number, the **STIHL** logo and the STIHL parts symbol . The symbol may appear alone on small parts.

Disposal



Electrical appliances must not be thrown in the garbage can. Take the unit, accessories and packaging to an approved disposal site for environment-friendly recycling.

Certificate of conformity

Andreas Stihl AG & Co. KG
Badstr. 115
71336 Waiblingen

certifies that the new machines described below

Category:	Vacuum cleaner
Make:	STIHL
Model:	SE 121, SE 121 E
Serial identification:	4742

conform to the specifications of Directives 98/37/EC, 73/23/EEC and 89/336/EEC.

The products have been developed and manufactured in compliance with the following standards:
EN ISO 12100-1, EN ISO 12100-2,
EN 60335-1, EN 60335-2-69,
EN 55014-1, EN 55014-2, EN 61000-3-2

Done at Waiblingen,
11 January 2005

Andreas Stihl AG & Co. KG
pp.

Steinhauser
Director
Group Product Management /
Technical Service

English

Quality Certification



All STIHL products comply with the highest quality standards.

An independent organization has certified that all products manufactured by STIHL meet the strict requirements of the ISO 9001 standard for quality management systems in terms of product development, materials purchasing, production, assembly, documentation and customer service.