

STIHL®

STIHL SE 122

Instruction Manual
Manual de instrucciones



Warning!

Read and follow all safety precautions in Instruction Manual – improper use can cause serious or fatal injury.

Advertencia!

Lea y siga todas las precauciones de seguridad dadas en el manual de instrucciones – el uso incorrecto puede causar lesiones graves o mortales.



Instruction Manual

1 - 20

**Manual de
instrucciones**

21 - 40

Contents

Guide to Using this Manual	2
IMPORTANT SAFETY INSTRUCTIONS	2
Safety Precautions and Working Techniques	3
Lock the machine in position	8
Assembling the Unit	8
Connecting to Power Supply	9
Switching On	10
Working	10
Switching Off	11
After Finishing Work	11
Emptying the container	11
Cleaning the filter element	12
Replacing the filter element	12
Maintenance and Care	14
Troubleshooting	15
Main Parts	16
Specifications	17
Special Accessories	18
Maintenance and Repairs	18
Trademarks	19
Addresses	20

This manual contains operating and safety instructions for the STIHL vacuum cleaner.

Allow only persons who fully understand this manual to operate your vacuum cleaner.

To receive maximum performance and satisfaction from your STIHL vacuum cleaner, it is important that you read and understand and follow the safety precautions and the operating and maintenance instructions before using your vacuum cleaner. For further information you can go to www.stihlusa.com.

Contact your STIHL dealer or the STIHL distributor for your area if you do not understand any of the instructions in this manual.

Warning!

Because a vacuum cleaner is a high-speed electric power tool, some special safety precautions must be observed to reduce the risk of personal injury. Careless or improper use may cause serious or even fatal injury.

Guide to Using this Manual

Pictograms

All the pictograms attached to the machine are shown and explained in this manual.

Symbols in Text

Many operating and safety instructions are supported by illustrations.

The individual steps or procedures described in the manual may be marked in different ways:

- A bullet marks a step or procedure without direct reference to an illustration.

A description of a step or procedure that refers directly to an illustration may contain item numbers that appear in the illustration. Example:

- Loosen the screw (1).
- Lever (2) ...

In addition to the operating instructions, this manual may contain paragraphs that require your special attention. Such paragraphs are marked with the symbols and signal words described below:



Danger!

Indicates an imminent risk of severe or fatal injury.



Warning!

Indicates a hazardous situation which, if not avoided, could result in severe or fatal injury.



Caution!

Indicates a risk of property damage, including damage to the machine or its individual components.

Engineering Improvements

STIHL's philosophy is to continually improve all of its products. As a result, engineering changes and improvements are made from time to time. Therefore, some changes, modifications and improvements may not be covered in this manual. If the operating characteristics or the appearance of your machine differ from those described in this manual, please contact your STIHL dealer for assistance.

IMPORTANT SAFETY INSTRUCTIONS

When using a vacuum cleaner, basic precautions should always be followed, including the following:

READ ALL INSTRUCTIONS BEFORE USING THIS STIHL VACUUM CLEANER

WARNING!

To reduce the risk of fire, electric shock, or other injury:

1. Do not leave the vacuum cleaner unattended when plugged in. Unplug from outlet when not in use and before servicing.
2. Do not expose to rain. Store indoors.
3. Do not allow to be used as a toy. Close attention is necessary when used near children.
4. Use only as described in this manual. Use only manufacturer's recommended attachments.
5. Do not use with damaged power supply cord or plug. If the vacuum cleaner is not working as it should, has been dropped, left outdoors, or dropped into water, return it to your STIHL servicing dealer.

6. Do not pull or carry by power supply cord, use power supply cord as a handle, close a door on power supply cord, or pull power supply cord around sharp edges or corners. Keep power supply cord away from heated surfaces.
7. Do not unplug by pulling on power supply cord. To unplug, grasp the plug, not the power supply cord.
8. Do not handle plug or unit with wet hands.
9. Do not put any object into openings. Do not use with any opening blocked; keep free of dust, lint, hair, and anything that may reduce air flow.
10. Keep hair, loose clothing, fingers and all parts of body away from openings and moving parts.
11. Turn off all controls before unplugging.
12. Use extra care when cleaning on stairs.
13. Do not use to pick up flammable or combustible liquids such as gasoline or use in areas where they may be present.
14. This vacuum is provided with double insulation. Use only identical replacement parts. See instructions for "Maintenance and Repairs."
15. Do not pick up anything that is burning or smoking, such as cigarettes, matches, or hot ashes.
16. Do not use with a damaged or missing filter element.
17. Regularly examine the power supply cord for damage, such as cracking or ageing. If damage is found, replace the cord before further use.

SAVE THESE INSTRUCTIONS

Safety Precautions and Working Techniques



Because the use of vacuum cleaners may be dangerous, special safety precautions must be observed to reduce the risk of personal injury.



It is important that you read, fully understand and observe preceding "Important Safety Instructions" and the following safety precautions and warnings. Read the instruction manual and the safety precautions periodically. Careless or improper use may cause serious or fatal injury.



Warning!

Do not lend or rent your vacuum cleaner without the instruction manual. Be sure that anyone using it understands the information contained in this manual.

A first-time operator should obtain practical instruction before using the vacuum cleaner. Employers should establish a training program for operators to assure safe operation of these machines. These safety precautions and warnings apply to the use of all STIHL vacuum cleaners.

Be thoroughly familiar with the controls and the proper use of the equipment. Know how to stop the unit and disengage the controls quickly.

Have your STIHL dealer show you how to operate your vacuum cleaner. Observe all applicable local safety regulations, standards and ordinances.

Use your vacuum cleaner for vacuuming of dry, non-flammable materials (dust, dirt, broken glass, wood or metal shavings, sand, etc.) and non-flammable liquids (dirty water, spilled juices, etc.)

The vacuum cleaner is suitable for more demanding commercial or industrial use, as e.g., in hotels, schools, hospitals, factories, shops, offices and stores.

 **Warning!**

Do not use the vacuum cleaner for other purposes, since misuse may result in personal injury or property damage, including damage to the vacuum cleaner. The vacuum cleaner must not be modified in any way – this may also lead to accidents or damage to the vacuum cleaner.

 **Warning!**

Minors should never be allowed to use this vacuum cleaner. Bystanders, especially children, and animals should not be allowed in the area where it is in use.

 **Warning!**

To reduce the risk of injury to bystanders and damage to property, never let your vacuum cleaner run unattended. When it is not in use (e.g. during a work break), shut it off and disconnect it from the power supply and make sure that unauthorized persons do not use it.

Most of these safety precautions and warnings apply to the use of all STIHL vacuum cleaners. Different models may have different parts and controls. See the appropriate section of your instruction manual for a description of the controls and the function of the parts of your model.

Safe use of a vacuum cleaner involves

1. the operator
2. the vacuum cleaner
3. the use of the vacuum cleaner

THE OPERATOR

Physical Condition

You must be in good physical condition and mental health and not under the influence of any substance (drugs, alcohol, etc.) which might impair vision, dexterity or judgment. Do not operate this vacuum cleaner when you are fatigued.

 **Warning!**

Be alert – if you get tired, take a break. Tiredness may result in loss of control. Working with any vacuum cleaner can be strenuous. If you have any condition that might be aggravated by strenuous work, check with your doctor before operating this vacuum cleaner.

THE VACUUM CLEANER

For illustrations and definitions of the vacuum cleaner parts see the chapter on "Main Parts and Controls."

 **Warning!**

Never modify the vacuum cleaner in any way. Only attachments supplied by STIHL or expressly approved by STIHL for use with the specific STIHL model are authorized. Although certain unauthorized attachments are useable with STIHL vacuum cleaners, their use may, in fact, be extremely dangerous.

If this unit is subjected to unusually high loads for which it was not designed (e.g. heavy impact or a fall), always check that it is in good condition before continuing work. Check in particular that the controls and safety devices are working properly.

 **Warning!**

Never operate your vacuum cleaner if it is damaged or not completely and securely assembled. In case of doubt, have it checked by your STIHL servicing dealer.

The vacuum cleaner may only be used when all parts are in proper working order.

Ensure that the filter element is always in place and undamaged.

Do not use with a damaged or missing filter element.

The machine may only be operated in an upright position. Do not cover the machine and ensure adequate motor ventilation.

Warning!

To avoid the risk of short-circuiting, never spray the upper part of the vacuum cleaner with water.

Do not clean your vacuum cleaner with a pressure washer. The solid jet of water may damage parts of the vacuum cleaner.

THE USE OF THE VACUUM CLEANER

Electrical Precautions

See also the electrical safety precautions listed under "Important Safety Instructions" at the beginning of this manual.

Warning!

Special precautions for vacuum cleaners must be observed to reduce the risk of personal injury and property damage from fire and electric shock.

Warning!

Inspect the power supply cord and the plug regularly for signs of damage and ageing.

Warning!

In order to reduce the risk of serious injury from electrocution, never use your vacuum cleaner if the power supply cord or plug is cut, cracked, worn or damaged.

Have your STIHL servicing dealer replace such a power supply cord.

Only connect the machine to a correctly installed power socket.

Warning!

The voltage and frequency of the power supply must agree with the voltage and frequency specified on the vacuum cleaner's rating plate. Improper voltage will damage the vacuum cleaner's motor and may cause personal injury.

The vacuum cleaner should only be connected to the power supply via a ground-fault circuit interrupter rated for at least 120 V, 60 Hz.

Warning!

Be sure the power switch is off when plugging the unit into the power supply in order to reduce the risk of fire or electrical shock from arcing and the risk of injury from unintended vacuuming.

Warning!

To reduce the risk of electric shock, do not use the vacuum cleaner in damp or wet locations. Do not expose to or use in rain. Do not handle the plug or the unit with wet hands.

Warning!

When using the vacuum cleaner, always keep the power supply cord behind you. Always ensure that your power supply cord does not become entangled with obstacles or objects. Keep cord away from heat, oil, and sharp edges. Do not close a door on the cord. Never pull or carry vacuum cleaner by power supply cord or jerk power supply cord to disconnect the plug from the wall outlet. To unplug, grasp the plug not the cord. Damaged cords may cause electrocution. Always disconnect the plug from the power supply when you take a break.

Electrical Cords

When using extension cords, ensure that the minimum conductor cross-sections are maintained – see "Connecting to Power Supply."

Appropriate extension cords are available in special stores for electrical equipment. Use only extension cords that comply with the specifications for the respective application.

Unsuitable extension cords may be dangerous.

If an extension cord is coiled on a cord reel, always unroll completely to reduce the risk of fire due to overheating.

When using extension cords, the connector and coupling must be waterproof or routed in such a way that they cannot come into contact with water.

Transporting the vacuum cleaner

Before transporting the container, close all the locks.

When transporting your unit in a vehicle, properly secure it to prevent turnover and damage to the vacuum cleaner.

Do not tilt the vacuum cleaner if there is liquid in the container.

Do not use a crane hook to lift the vacuum cleaner.

Before using

Always make sure the vacuum cleaner is in proper condition before starting.

Warning!

Inspect the power supply cord, extension cords and plugs before and after each use for signs of damage or ageing. Never operate your vacuum cleaner with damaged cords or plugs.

Working Conditions

Warning!



Never use the vacuum cleaner to pick up hot materials (hot ash, glowing cigarette butts, matches etc.). Never vacuum flammable or combustible liquids (gasoline, thinner, etc.) as well as aggressive liquids (acids, lye) – **Risk of serious or fatal injury from fire or explosion!**

Warning!



To reduce the risk of personal injury from fire and explosion, never attempt to vacuum flammable explosive dust (e.g. magnesium or aluminium dust, etc.)

Warning!

To reduce risk of personal injury or death, do not vacuum hazardous or toxic material.

Warning!

Some dust created by sanding, grinding, drilling and other workshop activities contains chemicals known to the State of California and other authorities to cause cancer and birth defects and other reproductive harm. Some examples of these chemicals are:

1. lead from lead-based paint
2. crystalline silica from bricks and cement, other masonry products and many types of stone, and
3. arsenic and chromium from chemically treated lumber.

If these or similar dusts are on the surfaces where you are cleaning, small particles may become airborne as a result of the vacuuming process. Control dust at the source where possible. Use good work practices. When the inhalation of dust cannot be substantially controlled, i.e., kept at or near the ambient (background) level, the operator and any bystanders should wear a respirator approved by NIOSH/MSHA for the type of dust encountered.

Warning!

If the substance being vacuumed is a commercial substance, review, understand and follow all warnings and instructions in the product literature and material safety data sheet for that substance and/or consult the material manufacturer/supplier.

 **Warning!**

Breathing asbestos dust is dangerous and can cause severe or fatal injury, respiratory illness or cancer. The use and disposal of asbestos-containing products have been strictly regulated by OSHA and the Environmental Protection Agency. If you have any reason to believe that you might be vacuuming or otherwise disturbing asbestos, immediately contact EPA, your employer or a local OSHA representative.

Vacuuming unsuitable materials may block the suction hose. Switch off the unit immediately and disconnect the plug from the power supply. Then clear the blockage.

Remove the filter bag and check correct operation of the float before vacuuming liquids or wet materials. Never work without the filter element.

 **Warning!**

If foam develops or liquid escapes from the appliance, stop work immediately, unplug the power cord and empty the container.

When working with the vacuum cleaner, always wrap your fingers tightly around the handle tube. Keep your hand in this position to have your vacuum cleaner under control at all times. Make sure your handle tube is in good condition and free of moisture, pitch, oil or grease.

In order to turn the vacuum cleaner on after you have plugged the power supply cord into the outlet, push the power switch from position "0" to position "I."

To reduce the risk of stumbling and loss of control, do not walk backward while operating the vacuum cleaner.

Dispose of the dirt, filter bag and filter element in accordance with applicable regulations.

MAINTENANCE, REPAIR AND STORING

Servicing of double-insulated Appliance

Your STIHL vacuum cleaner is double-insulated. In a double-insulated appliance, two systems of insulation are provided instead of grounding. No grounding means is provided on a double-insulated appliance, nor should a means for grounding be added to the appliance. Servicing a double-insulated appliance requires extreme care and knowledge of the system, and should be done only by qualified service personnel. Replacement parts for a double-insulated appliance must be identical to the parts they replace.

Use only identical STIHL replacement parts for maintenance and repair. Use of parts manufactured by others may cause serious or fatal injury. Follow the maintenance and repair instructions in the appropriate section of your instruction manual.

 **Warning!**



Always switch off the motor, disconnect the plug from the power supply and make sure that the fan wheel is stopped before doing any maintenance or repair work or cleaning the vacuum cleaner. Do not attempt any maintenance or repair work not described in your instruction manual. Have such work performed at your STIHL service shop only.

Service the vacuum cleaner regularly. Always repair a damaged unit before further use. STIHL recommends that you have servicing and repair work carried out exclusively by an authorized STIHL servicing dealer.

STIHL recommends the use of genuine STIHL replacement parts. They are specifically designed to match your unit and meet your performance requirements.

STIHL recommends the use of genuine STIHL replacement parts. They are specifically designed to match your unit and meet your performance requirements.

STIHL recommends the use of genuine STIHL replacement parts. They are specifically designed to match your unit and meet your performance requirements.

Never attempt to modify your vacuum cleaner in any way since this will increase the risk of personal injury.

Regularly inspect the power supply cord and plug for signs of damage and ageing.

Have damaged cords replaced by your authorized STIHL servicing dealer only.

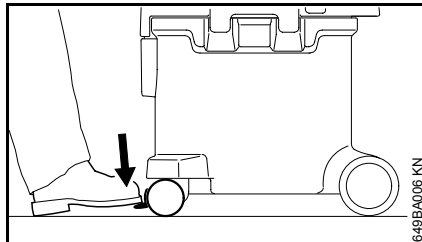
Clean plastic components with a cloth. Do not use any strong detergents on the plastic housing or handle. These parts can be attacked by certain house-hold

cleaners containing aromatic oils such as pine or lemon, or by solvents such as kerosene.

Do not spray water on the vacuum cleaner, moisture can cause an electric shock hazard. Wipe moisture off the unit with a cloth.

Store vacuum cleaner in a dry and high or locked location and out of reach of children.


Lock the machine in position

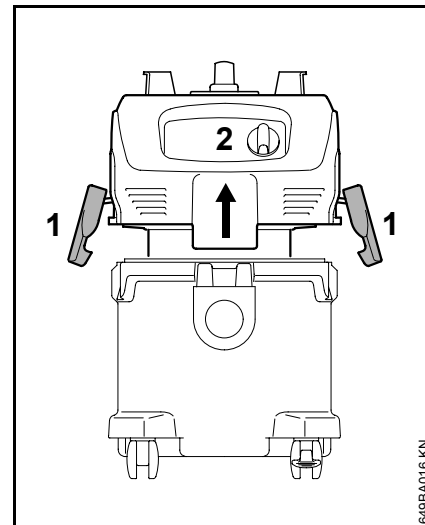


Apply the brake on the caster to lock the machine in a particular position.

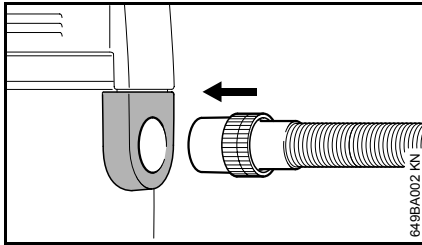
Assembling the Unit

Various accessory parts must be mounted on the machines before starting for the first time.

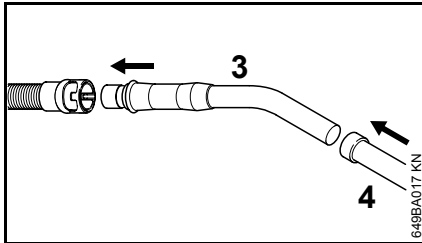
 Do not plug the power cord into the outlet until the machine is completely assembled.



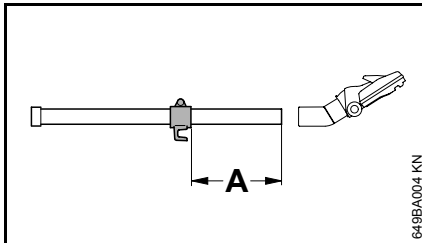
- Release the spring catches (1)
- Lift the upper part of the vacuum cleaner (2) vertically up and off
- Remove the accessories from the container
- Push filter bag sleeve onto intake port as far as possible (see instructions on filter bag)
- Refit the upper part of the vacuum cleaner (2) and close the spring catches (1) – ensure that the catches engage properly



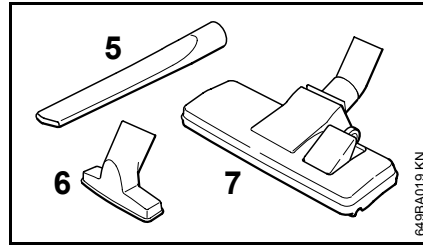
- Push the suction hose into the connector



- Push the hand tube (3) into the sleeve of the suction hose
- Push extension tube (4) onto the hand tube



- Mount suction tube holder at a distance (A) of approx. 8 inches (20 cm) from the bottom edge of the extension tube



- Depending on the intended use of the vacuum, fit the crevice tool (5), all-purpose tool (6) or floor tool (7) onto the suction tube.

Connecting to Power Supply

The voltage and frequency of your power supply and the voltage and frequency specified on the unit must be the same.

The connection to the power supply must be protected by a fuse or a circuit breaker with a minimum rating in accordance with the specifications – see "Specifications."

The power tool must be connected to the power supply via a Ground Fault Circuit Interrupter (GFCI). Receptacles are available having built-in GFCI protection and may be used for this measure of safety.

The electrical power supply connection must comply with all applicable standards and regulations.

Extension Cords

Make sure your electrical cord set is in good condition. When using an extension cord, be sure to use one heavy enough to carry the current your product will draw. An undersized extension cord may cause a drop in line voltage resulting in loss of power and overheating. The table below shows the correct size (AWG) to use for your machine (Cord types SJW or SJTW) depending on cord length and nameplate ampere rating. If in doubt, use the next heavier gauge. The smaller the gauge number, the heavier the cord.

Cord length (ft)	Wire gage (AWG)
50	16
100	14
150	12

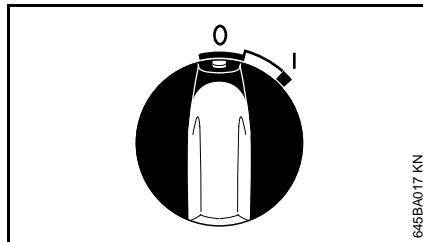
Appropriate extension cords are available in special stores for electrical equipment or from your STIHL dealer.

Connection to the power supply socket

Before connection to the power supply, check that the machine is switched off – see "Switching off the machine"

- Plug the power cord or extension cord into a properly installed outlet

Switching On



Switch positions

Switch position **0** – vacuum cleaner is switched off

Switch position **I** – vacuum cleaner is switched on

- To switch on, turn master switch to **I**

Working

Vacuumping dry materials

⚠ Flammable materials must not be vacuumed.

Always make sure that the filter bag has been fitted in the container before vacuuming dry materials. The vacuumed material can then be disposed of without difficulty. Dry materials can also be vacuumed without filter bag.

⚙ Never use the vacuum cleaner with a damaged filter element or without the filter element.

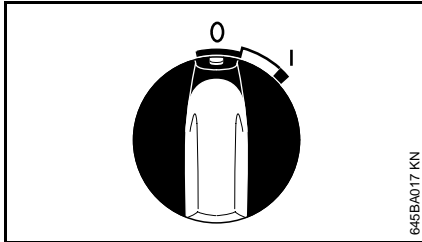
Vacuumping liquids

⚠ Flammable liquids must not be vacuumed.

Always remove the filter bag and check operation of the float before vacuuming liquids. The float switches off the air stream when the container is full. If the machine is exclusively used for wet-vacuumping, the filter element should be replaced by a special insert (special accessory).

The filter element is damp after vacuuming liquids. The filter element is likely to clog up more quickly if dry material is vacuumed while it is still damp. For this reason, the filter element should be dried or replaced by a dry filter element before vacuuming dry materials.

Switching Off



649BA017 KN

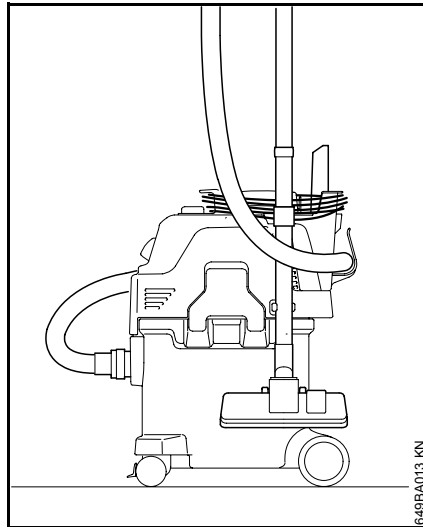
- Turn the master switch to **0**
- Unplug the power plug from the socket

After Finishing Work

- Empty the container and clean the machine

After vacuuming liquids:

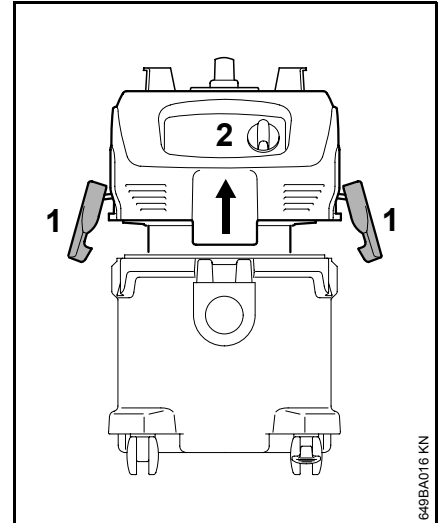
- Remove the upper part of the vacuum cleaner so that the filter element can dry



649BA013 KN

- Coil power cord around handle and holder
- Fasten the extension tube, suction hose and accessories to the holders provided for this purpose
- The vacuum cleaner must be stored in a dry room and protected against unauthorized use

Emptying the container



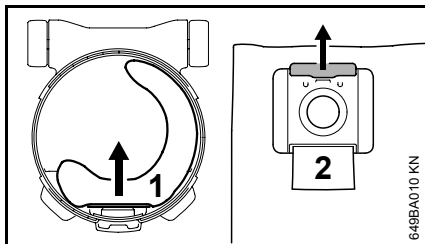
649BA016 KN

- Switch off the vacuum cleaner
- Unplug the power plug from the socket
- Release the spring catches (1)
- Lift the upper part of the vacuum cleaner (2) vertically up and off

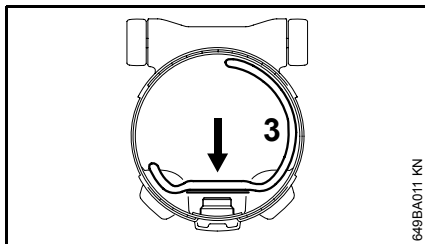
When dry-vacuuming without filter bag and when wet-vacuuming

- Empty the container and dispose of its contents in accordance with the applicable regulations
- Continue with: Refit the upper part of the vacuum cleaner

When dry-vacuuming with filter bag



- Pull filter bag sleeve (1) off intake port and seal opening in filter bag sleeve with slide (2)
- Carefully remove filter bag from container and dispose of in accordance with statutory regulations

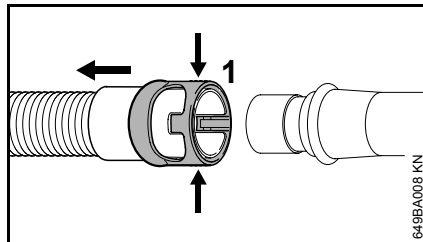


- Insert new filter bag (3) (instructions on filter bag)
- Push filter bag sleeve onto intake port as far as possible

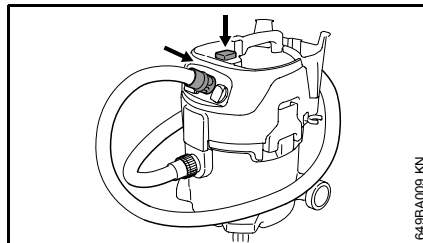
Refit the upper part of the vacuum cleaner

- Clean the edge of the container
- Refit the upper part of the vacuum cleaner
- Clean the sleeve and intake port before fitting the suction hose

Cleaning the filter element



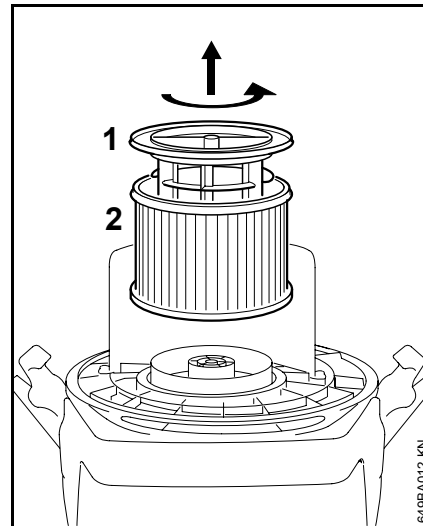
- Squeeze sleeve (1) of suction hose (arrows) together to release it
- Remove suction hose
- Switch on machine



- Seal the hose at the sleeve by firmly pressing the sleeve against the flat surface beside the switch (as shown in picture)
- Press the filter cleaning button 3 times

Dust deposits are removed from the filter element.

Replacing the filter element



- Unplug the power plug from the socket
- Remove upper part of vacuum cleaner and turn it over
- Unscrew supporting cage for filter (1)
- Remove filter element (2) and dispose of it in accordance with the statutory regulations
- Fit new filter element in the reverse sequence of steps
- Check correct operation of the float: the float must move easily when the supporting cage for the filter is turned over.
- Refit upper part of the vacuum cleaner



Never use the vacuum cleaner
with a damaged filter element or
without the filter element.

Maintenance and Care

The following maintenance intervals apply in normal operating conditions. The specified intervals must be shortened accordingly when working for longer than normal or under difficult cutting conditions (extensive dust, etc.).		before starting work	at the end of work and/or daily	Weekly	monthly	if faulty	if damaged	as required
Complete machine	visual inspection (condition)	X						
	clean		X					
Connecting cable	check	X						
	have them replaced by a specialist dealer ¹⁾						X	
Switch	check operation	X						
	have them replaced by a specialist dealer ¹⁾					X	X	
Ventilation slots in motor housing	clean							X
Filter bag	change							X
Filter element	clean							X
	replace						X	
Container	empty		X					
All accessible screws, nuts and bolts	retighten							X
Safety information sticker	replace						X	

¹⁾ STIHL recommends STIHL servicing dealers

Troubleshooting

Fault: Motor does not start

Cause	Remedy
Mains circuit-breaker has been tripped	Check and reset mains circuit breaker
Overload protection has been tripped	Let vacuum cleaner cool for approx. 5 minutes

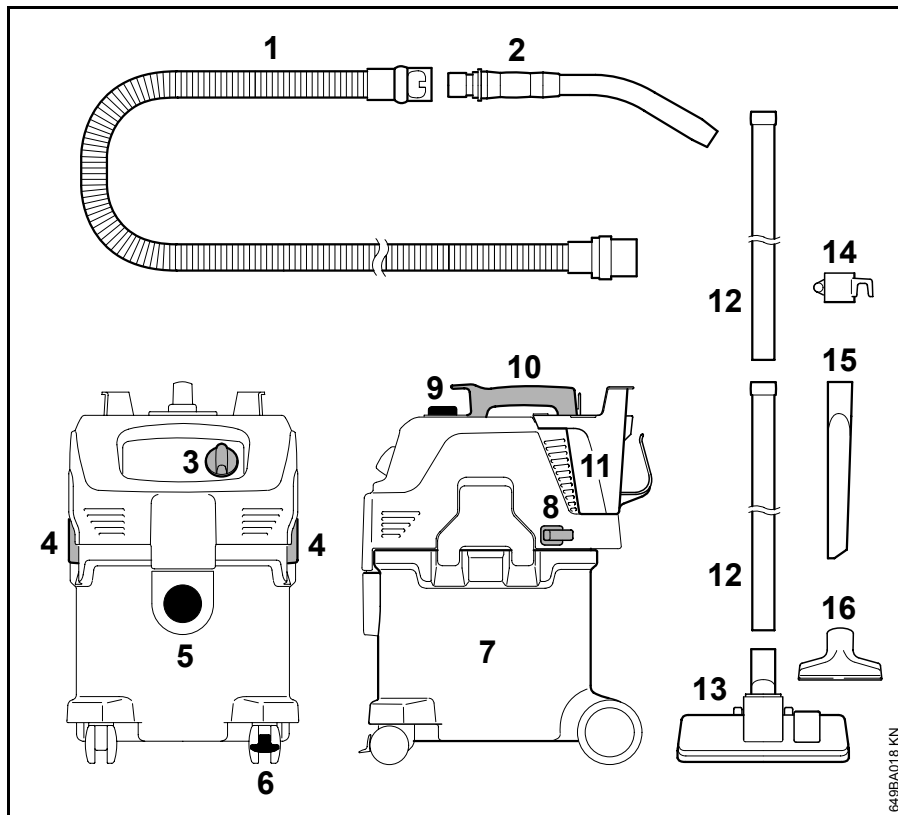
Fault: Poor suction performance

Cause	Remedy
Filter bag is full	See "Emptying the container"
Suction hose / tool is clogged	Clean suction hose / tool
Filter element is fouled	See "Cleaning the filter element" and "Replacing the filter element"
Gasket between upper part of vacuum cleaner and container is fouled or faulty	Clean or replace gasket

Fault: No suction performance when wet-vacuuming

Cause	Remedy
Container full (intake port is sealed by float)	See "Emptying the container"

Main Parts



- 1 Suction Hose
- 2 Handle Tube
- 3 Switch
- 4 Latch
- 5 Vacuum Intake Port
- 6 Caster with Brake
- 7 Container
- 8 Holder for Tools and Accessories
- 9 Filter Cleaning Button
- 10 Handle
- 11 Suction Hose Holder
- 12 Extension Tube
- 13 Floor Tool
- 14 Extension Tube Holder
- 15 Crevice Tool
- 16 All-purpose Tool
- 17 Sleeve
- 18 Power Supply Cord

649BA018 KN


Definitions

- 1 Suction Hose**
Directs collected dirt and/or liquid into the container.
- 2 Handle Tube**
For holding and guiding the respective tool.
- 3 Switch**
To switch the machine in position ON and OFF.
- 4 Latch**
Holds motorhead onto the container.
- 5 Vacuum Intake Port**
Connection between container and suction hose.
- 6 Caster with Brake**
Locks the vacuum cleaner in place.
- 7 Container**
Captures and stores collected dirt and/or liquid.
- 8 Holder for Tools and Accessories**
Accommodates nozzles and accessories on the vacuum cleaner.
- 9 Filter Cleaning Button**
Press to clear the filter of deposited dust.
- 10 Handle**
For holding and carrying the vacuum cleaner.
- 11 Suction Hose Holder**
For storing the suction hose.
- 12 Extension Tube**
Directs collected dirt and liquids from the tool to the suction hose.

- 13 Floor Tool**
For cleaning smooth surfaces and carpets.
- 14 Extension Tube Holder**
For storing the extension tube.
- 15 Crevice Tool**
For cleaning places that are hard to reach.
- 16 All-purpose Tool**
Tool for numerous potential uses.

Specifications

Motor

Power Supply:	120 V, 60 Hz, 8,3 A
Electrical Rating:	1000 W
Circuit Breaker:	15 A
Insulation:	Double Insulation 

Performance data

Max. intake capacity, air:	113 cf/min (3200 l/min)
Max. vacuum:	230 mbar / 91 in H ₂ O

Dimensions

Length approx.:	19 in (485 mm)
Width approx.:	15 in (385 mm)
Height approx.:	24 in (600 mm)
Container capacity:	8 gal (30 l)
Length of suction hose:	10 ft (3 m)
Inside diameter:	1.4 in (36 mm)

Weight

ca. 22 lbs (10 kg)

Noise values

Sound pressure level L_p to
EN 60704-1 (at a distance of 1 m)

64,8 dB(A)


Special Accessories

Contact your STIHL dealer for information regarding special accessories that may be available for your product.

Maintenance and Repairs

Users of this unit should carry out only the maintenance operations described in this manual. Other repair work may be performed only by authorized STIHL service shops.

Warranty claims following repairs can be accepted only if the repair has been performed by an authorized STIHL servicing dealer using original STIHL replacement parts.

Original STIHL parts can be identified by the STIHL part number, the **STIHL** logo and, in some cases, by the STIHL parts symbol . The symbol may appear alone on small parts.

Trademarks

STIHL Registered Trademarks

STIHL®

STIHL®



The color combination orange-grey
(U.S. Registrations #2,821,860;
#3,010,057, #3,010,058, #3,400,477;
and #3,400,476)



4-MIX®

AUTOCUT®

EASYSTART®

FARM BOSS®

OILOMATIC®

STIHL Cutquik®

STIHL DUROMATIC®

STIHL Quickstop®

STIHL ROLLOMATIC®

STIHL WOOD BOSS®

TIMBERSPORTS®

YARD BOSS®

Some of STIHL's Common Law Trademarks



BioPlus™

Easy2Start™

EasySpool™

ElastoStart™

Ematic™ / Stihl-E-Matic™

FixCut™

HT Plus™

IntelliCarb™

Master Control Lever™

Micro™

Pro Mark™

Quad Power™

Quiet Line™

STIHL M-Tronic™

STIHL Compact™

STIHL HomeScaper Series™

STIHL Interchangeable Attachment Series™

STIHL Magnum™ / Stihl-Magnum™

STIHL MiniBoss™

STIHL MotoPlus 4™

STIHL Multi-Cut HomeScaper Series™

STIHL OUTFITTERS™

STIHL PICCO™

STIHL PolyCut™

STIHL PowerSweep™

STIHL Precision Series™

STIHL Protech™

STIHL RAPID™

STIHL SuperCut™

STIHL Territory™

TapAction™

TrimCut™

This listing of trademarks is subject to change.

Any unauthorized use of these trademarks without the express written consent of ANDREAS STIHL AG & Co. KG, Waiblingen is strictly prohibited.

Addresses

STIHL Inc.
536 Viking Drive
P.O. Box 2015
Virginia Beach
VA 23452-2015

Contenido

Acerca de este manual de instrucciones	22
INSTRUCCIONES IMPORTANTES DE SEGURIDAD	22
Medidas de seguridad y técnicas de manejo	23
Trabe la máquina en posición	28
Armado de la máquina	29
Conexión eléctrica de la máquina	30
Encendido de la máquina	30
Trabajo	31
Apagado de la máquina	31
Después de terminar el trabajo	31
Vaciado del recipiente	32
Limpieza del elemento del filtro	33
Sustitución del elemento del filtro	33
Información para mantenimiento	34
Localización de averías	35
Componentes importantes	36
Especificaciones	37
Accesorios especiales	38
Información de reparación	38
Marcas comerciales	39
Direcciones	40

Este manual contiene instrucciones de funcionamiento y de seguridad para la aspiradora STIHL.

Permita que solamente las personas que comprenden la materia tratada en este manual manejen su aspiradora.

Para obtener el rendimiento y satisfacción máximos de la aspiradora STIHL, es importante leer y comprender las precauciones de seguridad y las instrucciones de funcionamiento y mantenimiento antes de usarla. Para información adicional, visite www.stihlusa.com.

Comuníquese con el concesionario o distribuidor de STIHL si no se entiende alguna de las instrucciones dadas en el presente manual.



¡Advertencia!

Dado que la aspiradora es una herramienta eléctrica que funciona a gran velocidad, es necesario tomar medidas especiales de seguridad para reducir el riesgo de incendios, sacudidas eléctricas y lesiones. El uso descuidado o inadecuado puede causar lesiones graves e incluso mortales.

Acerca de este manual de instrucciones

Pictogramas

Todos los pictogramas que se encuentran en la máquina se muestran y explican en este manual.

Símbolos en el texto

Muchas de las instrucciones de uso y seguridad vienen acompañadas de ilustraciones.

Los pasos individuales o procedimientos descritos en el manual pueden estar señalados en diferentes maneras:

- Un punto marca un paso o procedimiento sin una referencia directa a una ilustración.

Una descripción de un paso o procedimiento que se refiere directamente a una ilustración puede contener números de referencia que aparecen en la ilustración. Ejemplo:

- Suelte el tornillo (1).
- Palanca (2) ...

Además de las instrucciones de uso, en este manual pueden encontrarse párrafos a los que usted debe prestar atención especial. Tales párrafos están marcados con los símbolos y las palabras identificadoras que se describen a continuación.

¡Peligro!

Indica un riesgo inminente de lesiones graves o mortales.

Advertencia!

Identifica una situación de peligro que, al no evitarse, puede resultar en lesiones graves o mortales.

¡Precaución!

Indica el riesgo de daños a la propiedad, incluyendo a la máquina o sus componentes.

Mejoramientos técnicos

La filosofía de STIHL es mejorar continuamente todos sus productos. Como resultado de ello, periódicamente se introducen cambios de diseño y mejoras. Por lo tanto, es posible que algunos cambios, modificaciones y mejoras no se describen en este manual. Si las características de funcionamiento o la apariencia de su máquina difieren de las descritas en este manual, comuníquese con el concesionario STIHL para obtener la ayuda que requiera.

INSTRUCCIONES IMPORTANTES DE SEGURIDAD

Cuando usa una aspiradora, debe tomar ciertas precauciones básicas, tal como las siguientes:

LEA TODAS LAS INSTRUCCIONES ANTES DE USAR LA ASPIRADORA STIHL

¡Advertencia!

Para reducir el riesgo de incendios, sacudidas eléctricas u otras lesiones:

1. No deje la aspiradora desatendida cuando está enchufada. Desenchúfela del tomacorriente cuando no está en uso y antes de ejecutar tareas de mantenimiento.
2. No exponga la máquina a lluvia. Guárdela bajo techo.
3. No permite el uso del aparato como juguete. Hay que prestar mucha atención al usarlo cerca de los niños.
4. Utilice el aparato solamente de la manera descrita en este manual. Utilice exclusivamente los accesorios recomendados por el fabricante.
5. No utilice un aparato que tenga un cordón o enchufe dañado. Si la aspiradora no funciona de la manera debida, se ha caído, fue dejada a la intemperie o ha caído en agua, devuélvala al concesionario de STIHL para servicio.

6. No tire ni acarree la máquina por su cordón eléctrico, no utilice el cordón eléctrico como manija, no cierre una puerta sobre el cordón ni tire del mismo sobre bordes filosos o esquinas. Mantenga el cordón eléctrico alejado de las superficies calientes.
7. No tire del cordón para desenchufar el aparato. Para desenchufarlo, sujete el enchufe y no el cordón.
8. No manipule el enchufe ni el aparato con manos mojadas.
9. No coloque ningún objeto en las aberturas. No utilice con una abertura taponada; mantenga el aparato libre de polvo, pelusa, pelo u otros materiales que pueden reducir la corriente de aire.
10. Mantenga el pelo, la ropa suelta, los dedos y los demás partes del cuerpo lejos de las aberturas y las piezas en movimiento.
11. Apague todos los controles antes de desenchufar el aparato.
12. Tenga mucho cuidado al limpiar en escaleras.
13. No utilice el aparato para recoger líquidos inflamables o combustibles, tal como la gasolina, ni en un lugar donde los mismos pueden estar presentes.
14. Esta aspiradora tiene aislamiento doble. Utilice solamente los repuestos idénticos. Consulte las instrucciones de "Mantenimiento y reparaciones".
15. No recoja objetos ardientes o que están echando humo, tales como los cigarrillos, los fósforos o las cenizas calientes.
16. No utilice el aparato si el elemento del filtro está dañado o hace falta.
17. Examine el cordón eléctrico periódicamente en busca de daños, tales como agrietaciones o envejecimiento. Si se descubren daños, reemplace el cordón antes de continuar usando el aparato.

GUARDE ESTAS INSTRUCCIONES

Medidas de seguridad y técnicas de manejo



Puesto que el uso de una aspiradora puede resultar peligroso, es necesario tomar precauciones de seguridad especiales para reducir el riesgo de lesiones personales.



Es importante que lea, comprenda y se atenga a las "Instrucciones importantes de seguridad" dadas previamente y a las precauciones y advertencias de seguridad dadas a continuación. Lea el manual de instrucciones y las precauciones de seguridad periódicamente. El uso descuidado o inadecuado puede causar lesiones graves o incluso mortales.



¡Advertencia!

No preste ni alquile nunca su aspiradora sin el manual de instrucciones. Asegúrese que todas las personas que utilicen la máquina lean y comprendan la información contenida en este manual.

Un operador novato deberá recibir capacitación práctica antes de utilizar la aspiradora. La empresa deberá establecer un programa de capacitación de operadores para asegurar el uso seguro de estas máquinas. Estas

medidas de seguridad y avisos se refieren al uso de todas las aspiradoras de STIHL.

Familiarícese completamente con los controles y con el modo de empleo adecuado del equipo. Sepa cómo apagar la máquina y desengranar los controles con rapidez.

Pida a su concesionario STIHL que le enseñe el manejo de la aspiradora. Respete todas las disposiciones, reglamentos y normas de seguridad locales del caso.

Utilice la aspiradora para recoger materiales secos y no inflamables (polvo, tierra, vidrio roto, partículas de madera o metálicas, arena, etc.) y líquidos no inflamables (agua sucia, jugos derramados, etc.).

La aspiradora es adecuada para los usos comerciales o industriales más exigentes, por ejemplo, en hoteles, escuelas, hospitales, fábricas, talleres, oficinas y almacenes.



¡Advertencia!

No utilice la aspiradora para ningún otro propósito ya que el uso indebido puede resultar en lesiones personales o daños a la propiedad, incluso daños de la aspiradora. No modifique la aspiradora en manera alguna - esto también puede causar accidentes o dañar la aspiradora.



¡Advertencia!

Nunca se debe permitir a los niños que usen esta aspiradora. No se debe permitir la proximidad de otros, especialmente niños y animales, donde se esté utilizando la máquina.



¡Advertencia!

Para reducir el riesgo de ocasionar lesiones a las personas en la cercanía y daños a la propiedad, nunca deje la aspiradora en marcha desatendida. Cuando no está en uso (por ejemplo durante el descanso), apáguela y asegúrese que las personas no autorizadas no puedan usarla.

La mayoría de las medidas de seguridad y avisos contenidos en este manual se refieren al uso de todas las aspiradoras de STIHL. Los distintos modelos pueden contar con piezas y controles diferentes. Vea la sección correspondiente de su manual de instrucciones para tener una descripción de los controles y la función de los componentes de su modelo.

El uso seguro de una aspiradora involucra a:

1. el operador
2. la aspiradora
3. el uso de la aspiradora

EL OPERADOR

Condición física

Usted debe estar en buenas condiciones físicas y psíquicas y no encontrarse bajo la influencia de ninguna sustancia (drogas, alcohol,

etc.) que le pueda restar visibilidad, destreza o juicio. No maneje esta aspiradora cuando está fatigado.



¡Advertencia!

Esté alerta. Si se cansa, tómese un descanso. El cansancio puede provocar una pérdida del control. El uso de cualquier aspiradora puede ser fatigoso. Si usted padece de alguna dolencia que pueda ser agravada por la fatiga, consulte a su médico antes de utilizar esta aspiradora.

LA ASPIRADORA

Para las ilustraciones y definiciones de los componentes de la aspiradora, vea el capítulo "Piezas principales y controles".



¡Advertencia!

No modifique la aspiradora en manera alguna. Utilice únicamente los accesorios y repuestos suministrados por STIHL o expresamente autorizados por STIHL para usarse con el modelo específico de STIHL. Si bien es posible conectar a la aspiradora de STIHL ciertos accesorios no autorizados, su uso puede ser, en la práctica, extremadamente peligroso.

Si la máquina experimenta cargas excesivas para las cuales no fue diseñada (por ejemplo, impactos severos o una caída), siempre asegúrese que la máquina está en buenas condiciones antes de seguir con el trabajo. Compruebe específicamente que los controles y dispositivos de seguridad funcionen correctamente.

⚠ ¡Advertencia!

No maneje nunca una aspiradora que esté dañada o que no fue armada debidamente. En caso de dudas, pida que el concesionario de servicio de STIHL la revise.

Utilice la aspiradora únicamente cuando todos sus componentes están en buenas condiciones de trabajo.

Verifique que el elemento del filtro esté en su lugar y libre de daños.

No la utilice si el elemento del filtro está dañado o hace falta.

La máquina sólo debe ponerse en marcha en posición vertical. No cubra la máquina y asegure que el motor tenga ventilación adecuada.

⚠ ¡Advertencia!

Para evitar los riesgos de formar cortocircuitos, nunca rocíe la parte superior de la aspiradora con agua.

No limpie la aspiradora con una lavadora a presión. El chorro fuerte de agua puede dañar las piezas de la aspiradora.

EL USO DE LA ASPIRADORA**Precauciones eléctricas**

Vea también las precauciones de seguridad de electricidad listadas bajo "Precauciones importantes de seguridad", al principio de este manual.

⚠ ¡Advertencia!

Es necesario tomar precauciones especiales al usar aspiradoras para reducir el riesgo de sufrir lesiones personales y causar daños a la propiedad como resultado de incendios y sacudidas eléctricas.

⚠ ¡Advertencia!

Inspeccione el cordón eléctrico y su enchufe periódicamente en busca de desgaste y daños.

⚠ ¡Advertencia!

Para reducir el riesgo de sufrir lesiones graves causadas por electrocución, nunca use la aspiradora si el cordón o enchufe eléctrico está cortado, agrietado, desgastado o dañado.

Solicite al concesionario de servicio STIHL que reemplace un cordón eléctrico en tales condiciones.

Conecte la máquina únicamente a un tomacorriente debidamente instalado.

⚠ ¡Advertencia!

El voltaje y frecuencia de la alimentación eléctrica deberá corresponder con el voltaje y frecuencia especificados en la chapa de capacidades de la aspiradora. Un voltaje incorrecto dañará el motor de la aspiradora y puede causar lesiones personales.

Conecte la aspiradora a la alimentación eléctrica únicamente a través de un circuito con interruptor por pérdidas a tierra con capacidad mínima de 120 V, 60 Hz.

⚠ ¡Advertencia!

Asegúrese que el interruptor esté en posición de apagado al enchufar la máquina al suministro de energía eléctrica para evitar los riesgos de incendios y sacudidas eléctricas causados por los arcos eléctricos y para evitar las lesiones causadas por el funcionamiento imprevisto de la aspiradora.

⚠ ¡Advertencia!

Para evitar el riesgo de sacudidas eléctricas, no use la aspiradora en lugares húmedos ni mojados. No esponga ni use el aparato bajo la lluvia.

No manipule el enchufe ni la máquina con manos mojadas.

¡Advertencia!

Cuando use la aspiradora, siempre mantenga el cordón eléctrico detrás suyo. Asegúrese que el cordón eléctrico no se enrede con obstáculos ni objetos. Mantenga el cordón alejado de fuentes de calor, aceite y bordes afilados. No cierre una puerta sobre el cordón. Nunca tire ni acarree la aspiradora por su cordón eléctrico, ni tire del mismo para desconectarlo de un tomacorriente. Para desenchufarlo, sujete el enchufe y no el cordón. Los cordones dañados pueden causar la electrocución. Siempre desconecte el enchufe del tomacorriente eléctrico al tomar un descanso.

Cordones eléctricos

Cuando se utilizan cordones de extensión, compruebe que sus conductores tengan el diámetro mínimo especificado - consulte "Conexión al suministro de energía eléctrica".

Se pueden obtener cordones de extensión apropiados en establecimientos de venta de equipos eléctricos. Utilice únicamente cordones de extensión que satisfagan con las especificaciones de la tarea a realizarse.

Un cordón de extensión no adecuado puede resultar peligroso.

Si el cordón de extensión está enrollado en un carrete, siempre desenróllelo completamente para reducir el riesgo de producir un incendio por sobrecalentamiento.

Cuando se utilizan cordones de extensión, su enchufe y acoplamiento deberán ser a prueba de agua, o colocarse de manera tal que no puedan entrar en contacto con el agua.

Transporte de la aspiradora

Antes de transportar el recipiente, asegure todos sus pestillos.

Cuando transporte la aspiradora en un vehículo, sujétela firmemente para impedir que se vuelque y ocasionarle daños..

No incline la aspiradora si el recipiente contiene líquido.

No utilice un gancho de grúa para levantar la aspiradora.

Antes del uso

Siempre compruebe que la aspiradora esté en buenas condiciones antes de arrancarla.

¡Advertencia!

Inspeccione el cordón eléctrico, los cordones de extensión y los enchufes en busca de daños y envejecimiento. Nunca use la aspiradora con cordones o enchufes dañados.

Condiciones de trabajo

¡Advertencia!



Nunca utilice la aspiradora para recoger materiales calientes (cenizas calientes, cigarrillos encendidos, fósforos, etc.). Nunca aspire líquidos inflamables o combustibles (gasolina, adelgazadores, etc.) ni líquidos agresivos (ácidos, lejía) – **¡Riesgo de lesiones graves o mortales por incendios o explosiones!**

¡Advertencia!



Para reducir los riesgos de sufrir lesiones personales causadas por incendios y explosiones, nunca aspire polvos inflamables o explosivos (por ejemplo, polvo de magnesio o de aluminio, etc.).

¡Advertencia!

Para reducir el riesgo de sufrir lesiones personales o la muerte, no aspire materiales peligrosos ni tóxicos.

¡Advertencia!

Algunos polvos que se producen al limar, esmerilar, taladrar y otras actividades de taller contienen sustancias químicas consideradas por el Estado de California y otras autoridades como causantes de cáncer, defectos de nacimiento u otros daños a los órganos de la reproducción. Algunos ejemplos de estas sustancias químicas son:

1. plomo de pintura a base de plomo
2. sílice cristalina de ladrillos y hormigón, otros productos de mampostería y muchos tipos de piedra, y
3. arsénico y cromo hallado en madera con tratamientos químicos

Si estos polvos y otros similares se encuentran en las superficies que se limpiarán, algunas partículas pequeñas podrían suspenderse en el aire como resultado del proceso de aspiración. Controle el polvo en su fuente, siempre que sea posible. Emplee buenas prácticas de trabajo. Cuando sea imposible eliminar significativamente la inhalación del polvo, es decir mantener el nivel cerca del valor ambiente, el operador y las personas que se encuentren en la cercanía siempre deberán usar un respirador aprobado por NIOSH/MSHA para el tipo de polvo presente en el lugar.

¡Advertencia!

Si la sustancia que se está aspirando es un producto comercial, repase, entienda y respete todas las advertencias e instrucciones contenidas en la hoja de datos de seguridad de materiales de la sustancia y/o consulte al fabricante/proveedor del producto.

¡Advertencia!

La aspiración del polvo de asbesto es peligrosa y puede causar lesiones graves o mortales, enfermedades de las vías respiratorias o cáncer. El uso y la eliminación de los productos que contienen asbesto están estrictamente reglamentados por OSHA y el Organismo para la Protección del Medio Ambiente (EPA) de los EE.UU. Si por cualquier motivo cree que está aspirando o perturbando asbesto, póngase en contacto inmediatamente con la EPA, su empleador o un representante de OSHA local.

La aspiración de materiales no adecuados puede obstruir la manguera de aspiración. Apague la unidad inmediatamente y desconecte el enchufe del suministro de energía eléctrica. Luego, elimine el bloqueo.

Retire la bolsa de filtro y compruebe que el flotador funcione correctamente antes de aspirar líquidos o materiales húmedos. Nunca ponga la máquina en marcha sin el elemento del filtro instalado.

¡Advertencia!

Si el aparato produce espuma o tiene fugas de líquido, suspenda el trabajo de inmediato, desconecte el cordón eléctrico y vacíe el recipiente.

Cuando utilice la aspiradora, siempre sujete el tubo del mango firmemente con sus dedos. Mantenga la mano en esta posición, para que siempre tenga la aspiradora bien controlada. Asegúrese que el tubo del mango esté en buenas condiciones y sin humedad, resina, aceite o grasa.

Para encender la aspiradora después de haber enchufado el cordón eléctrico a un tomacorriente, mueva el interruptor de encendido de la posición "0" a la posición "I".

Para reducir el riesgo de tropezarse y de perder el control, no camine hacia atrás mientras está utilizando la aspiradora.

Deseche la tierra, la bolsa de filtro y el elemento del filtro conforme a los reglamentos vigentes.

MANTENIMIENTO, REPARACIÓN Y ALMACENAMIENTO

Mantenimiento de un aparato con aislamiento doble

La aspiradora STIHL tiene aislamiento doble. Tales aparatos tienen dos sistemas de aislamiento en lugar de la puesta a tierra. No existe una conexión a tierra en un aparato de aislamiento doble, y no es necesario añadir un dispositivo de conexión a tierra al mismo. El mantenimiento de un aparato con aislamiento doble requiere cuidado

adicional y buen conocimiento del sistema, y debe ser efectuado únicamente por personal calificado de mantenimiento. Los repuestos para el aparato con aislamiento doble deben ser idénticos a las piezas que reemplazan.

Utilice solamente piezas de repuesto de STIHL para el mantenimiento y reparación. La utilización de piezas fabricadas por otras empresas puede causar lesiones graves o mortales. Siga las instrucciones de mantenimiento y reparación dadas en la sección correspondiente del manual de instrucciones.

 ¡Advertencia!



Siempre apague el motor, desconecte el enchufe del suministro de energía eléctrica y asegúrese que la turbina del ventilador está dete-

nida antes de hacer cualquier trabajo de mantenimiento, reparación o limpieza de la aspiradora. No intente hacer ningún trabajo de mantenimiento o reparación que no esté descrito en su manual de instrucciones. Este tipo de trabajo debe realizarse únicamente en el taller de servicio de STIHL.

Dele mantenimiento periódico a la aspiradora.

Siempre repare una unidad dañada antes de seguir usándola.

STIHL recomienda que un concesionario STIHL autorizado efectúe los trabajos de mantenimiento y reparación.

STIHL recomienda el uso de piezas de repuesto originales de STIHL. Han sido diseñadas específicamente para usar con su máquina y satisfacen sus necesidades de rendimiento.

Nunca intente modificar la aspiradora en manera alguna, ya que esto puede causar lesiones personales.

Inspeccione el cordón eléctrico y su enchufe periódicamente en busca de desgaste y daños.

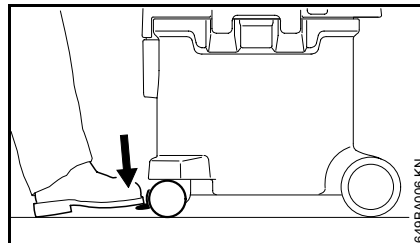
Su concesionario de servicio STIHL es el único que deberá sustituir un cordón eléctrico dañado.

Limpie los componentes de plástico con un trapo. No use detergentes fuertes para limpiar la caja de plástico ni el mango. Estos pueden verse atacados por ciertos limpiadores domésticos que contienen aceites aromáticos, tales como el pino o el limón, o por disolventes tales como el keroseno.

No rocíe la aspiradora con agua; la humedad puede crear riesgos de sacudidas eléctricas. Quite la humedad del aparato con un trapo.

Guarde la aspiradora en un lugar seco y elevado o con llave, lejos del alcance de los niños.

Trabe la máquina en posición

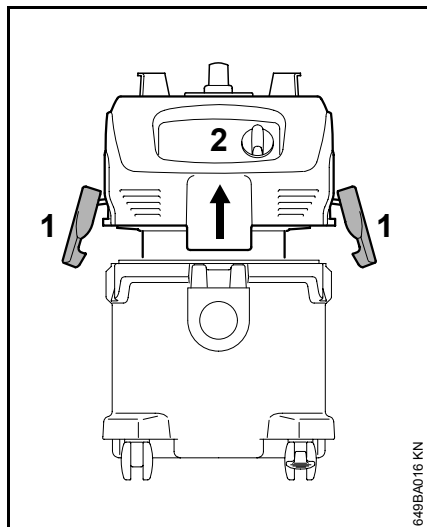


Aplique el freno de la ruedecilla para detener la máquina en una posición particular.

Armado de la máquina

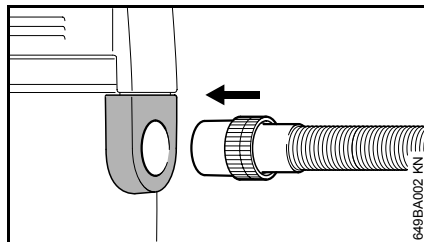
Es necesario montar varios accesorios en la máquina antes de arrancarla por primera vez.

⚠ No enchufe el cordón eléctrico al tomacorriente hasta que la máquina esté completamente armada.

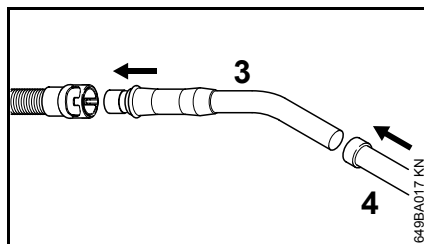


- Suelte las trabas de resorte (1)
- Levante la parte superior de la aspiradora (2) en sentido vertical para quitarla
- Saque los accesorios del recipiente

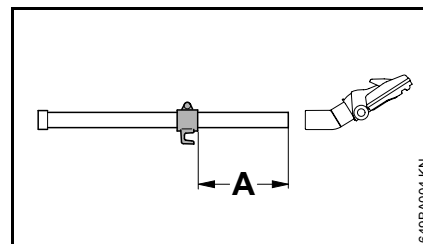
- Empuje el manguito de la bolsa de filtro sobre la lumbrera de entrada hasta que tope (consulte las instrucciones en la bolsa de filtro)
- Vuelva a colocar la parte superior de la aspiradora (2) y cierre las trabas de resorte (1) – verifique que las trabas se enganchen debidamente



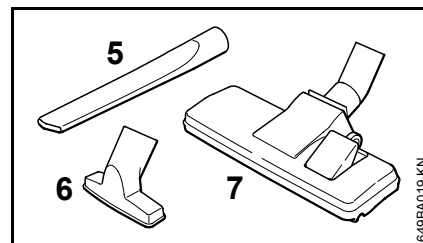
- Coloque la manguera de aspiración en su conector



- Empuje el tubo de mano (3) sobre el manguito de la manguera de aspiración
- Empuje el tubo de extensión (4) sobre el tubo de mano



- Monte el portador del tubo de aspiración a una distancia (A) de aproximadamente 20 cm (8 pulg) del borde inferior del tubo de extensión



- Según el uso que se dará a la aspiradora, instale la herramienta para hendiduras (5), la herramienta universal (6) o la herramientas para pisos (7) en el tubo de aspiración.

Conexión eléctrica de la máquina

El voltaje y la frecuencia de la fuente de alimentación eléctrica y el voltaje y la frecuencia especificados en la máquina deberán corresponder.

La conexión a la fuente de alimentación se debe proteger por un fusible o un disyuntor con una capacidad mínima de acuerdo con las especificaciones - vea "Especificaciones."

La herramienta motorizada debe conectarse a la fuente de alimentación por vía de un interruptor diferencial (GFCI). Hay tomacorrientes que incorporan protección por medio de un interruptor diferencial (GFCI) y que pueden usarse como medida de seguridad.

La conexión a la fuente de alimentación eléctrica debe conformarse con todas las normas y reglamentos vigentes.

Alargadores

Compruebe que el alargador eléctrico se encuentre en buenas condiciones. Cuando se usa un alargador, asegúrese de que sea suficientemente grueso para conducir la corriente que el producto consumirá. Un alargador de capacidad insuficiente puede causar una caída de voltaje de línea, lo cual produce una pérdida de potencia y sobrecalentamiento. La tabla más abajo muestra el tamaño (AWG) correcto a usarse con la máquina (cordones tipo SJW o SJTW), según el largo del cordón y la capacidad de corriente de la placa de identificación de la máquina. En caso de duda, utilice el calibre

inmediatamente más grueso. Cuanto menor el número de calibre, tanto más grueso el cordón.

Largo del cordón (pies)	Calibre de alambre (AWG)
50	16
100	14
150	12

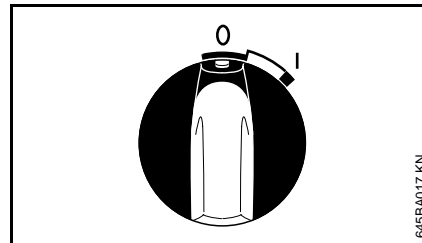
Se pueden obtener alargadores apropiados en establecimientos de equipos eléctricos, o a través del concesionario STIHL.

Conexión al tomacorriente de alimentación

Antes de conectar la fuente de alimentación eléctrica, verifique que la máquina esté apagada – consulte "Apagado de la máquina"

- Enchufe el cordón eléctrico o cordón de extensión a un tomacorriente debidamente instalado

Encendido de la máquina



Posiciones del interruptor

Posición del interruptor 0 – la aspiradora está apagada

Posición del interruptor I – la aspiradora está encendida

- Para encender, coloque el interruptor maestro en la posición I

Trabajo

Aspiración de materiales secos

⚠ Los materiales inflamables no deben aspirarse.

Siempre compruebe que la bolsa de filtro ha sido colocada en el recipiente antes de aspirar materiales secos. Esto permite desechar los materiales aspirados sin dificultades. Los materiales secos también pueden aspirarse sin la bolsa de filtro instalada.

⚙ Nunca utilice una aspiradora con un elemento dañado en el filtro, o sin tener el elemento instalado.

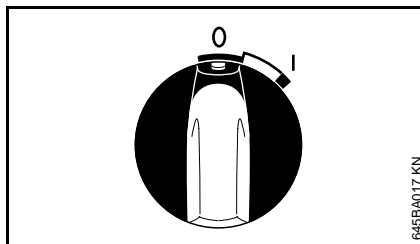
Aspiración de líquidos

⚠ Los materiales inflamables no deben aspirarse.

Siempre retire la bolsa de filtro y compruebe que el flotador funciona antes de aspirar líquidos. El flotador corta el torrente de aire cuando el recipiente se llena. Si la máquina se usa exclusivamente para aspirar líquidos, sustituya el elemento del filtro por un inserto especial (accesorio especial).

El elemento del filtro queda húmedo después de aspirar líquidos. El elemento del filtro probablemente se obturará con mayor rapidez si se aspiran materiales secos mientras está húmedo. Por este motivo, seque el elemento de filtro o reemplácelo por un elemento seco antes de aspirar materiales secos.

Apagado de la máquina



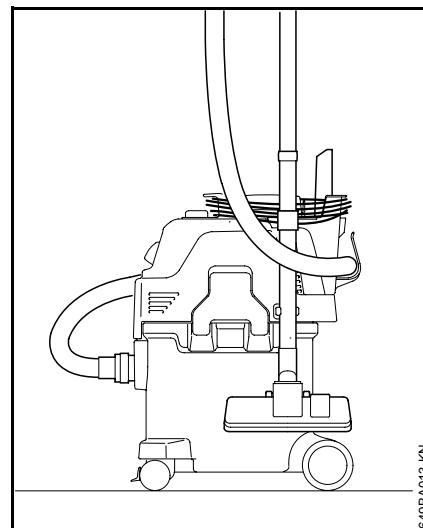
- Coloque el interruptor maestro en la posición **0**
- Desconecte el enchufe de alimentación del tomacorriente

Después de terminar el trabajo

- Vacíe el recipiente y limpie la máquina

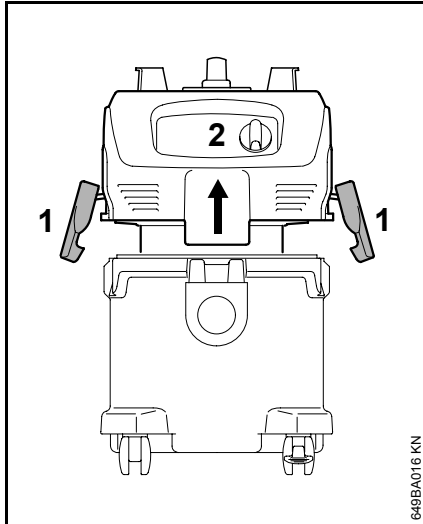
Después de haber aspirado líquidos:

- Retire la parte superior de la aspiradora para permitir que el elemento del filtro se seque



- Arrolle el cordón eléctrico en el mango y el portador
- Fije el tubo de extensión, la manguera de aspiración y los accesorios a los sujetadores provistos para este fin
- Guarde la aspiradora en un recinto seco que ofrezca protección contra el uso no autorizado

Vaciado del recipiente

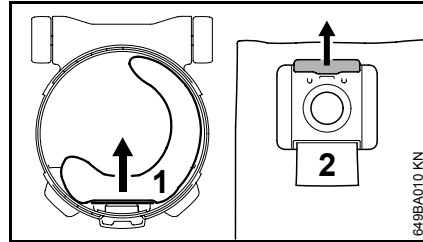


- Apague la aspiradora
- Desconecte el enchufe de alimentación del tomacorriente
- Suelte las trabas de resorte (1)
- Levante la parte superior de la aspiradora (2) en sentido vertical para quitarla

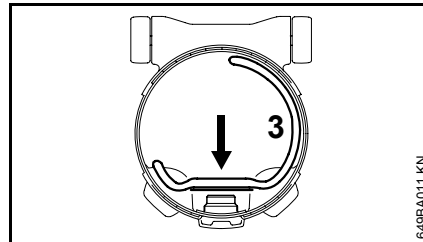
Al aspirar materiales secos sin bolsa de filtro y aspirar materiales húmedos

- Vacíe el recipiente y deseche su contenido conforme a los reglamentos vigentes
- Continúe con: Vuelva a instalar la parte superior de la aspiradora

Al aspirar materiales secos con bolsa de filtro



- Quite el manguito (1) de la bolsa de filtro de la lumbrera de entrada y selle la abertura de la bolsa con la corredera (2)
- Saque la bolsa de filtro cuidadosamente del recipiente y deséchela según los reglamentos del caso

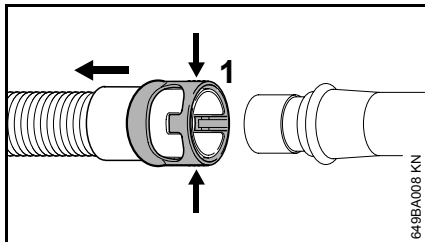


- Inserte una bolsa de filtro (3) nueva (siga las instrucciones dadas en la bolsa)
- Empuje el manguito de la bolsa de filtro sobre la lumbrera de entrada hasta donde sea posible

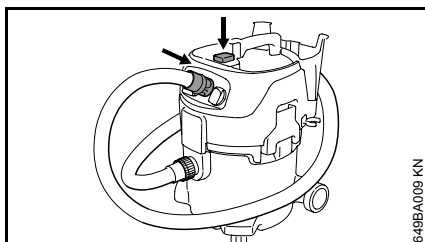
Vuelva a instalar la parte superior de la aspiradora

- Limpie el borde del recipiente
- Vuelva a instalar la parte superior de la aspiradora
- Limpie el manguito y la lumbrera de entrada antes de colocar la manguera de aspiración

Limpeza del elemento del filtro



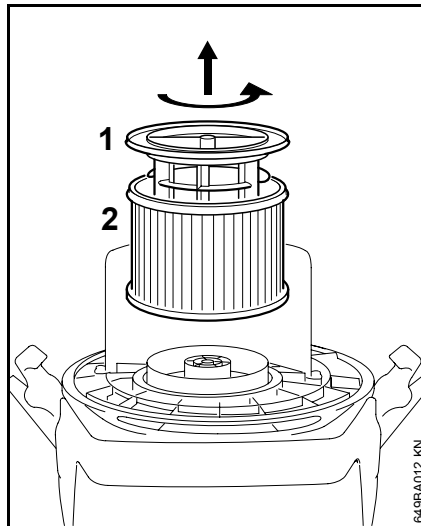
- Comprima el manguito (1) de la manguera de aspiración (flechas) para soltarla
- Desconecte la manguera de aspiración
- Encienda la máquina



- Selle la manguera en el manguito por medio de presionar el manguito firmemente contra la superficie plana que está junto al interruptor (como se muestra en la ilustración)
- Oprima el botón de limpieza del filtro 3 veces

Los depósitos de polvo se eliminan del elemento del filtro.


Sustitución del elemento del filtro



- Desconecte el enchufe de alimentación del tomacorriente
- Retire la parte superior de la aspiradora y colóquela en posición invertida
- Desenrosque la jaula de soporte del filtro (1)
- Saque el elemento (2) del filtro y deséchelo respetando los reglamentos del caso
- Coloque un elemento de filtro nuevo invirtiendo el orden de los pasos de retiro

- Compruebe el funcionamiento correcto del flotador: el flotador deberá moverse fácilmente cuando se invierte la jaula de soporte del filtro.

- Vuelva a instalar la parte superior de la aspiradora

 Nunca utilice una aspiradora con un elemento dañado en el filtro, o sin tener el elemento instalado.

Información para mantenimiento

Los intervalos de mantenimiento dados a continuación corresponden a condiciones normales de trabajo. Los intervalos especificados deberán acortarse de modo correspondiente si se trabaja por lapsos más largos que lo normal o bajo condiciones difíciles de corte (polvo excesivo, etc.).		antes de comenzar el trabajo	al final del trabajo y/o diariamente	Semanalmente	mensualmente	si falla	si tiene daños	según se requiera
Máquina completa	Inspección visual (condición general)	X						
	Limpiar		X					
Cable de conexión	Revisar	X						
	Solicite al concesionario especializado su sustitución ¹⁾						X	
Interruptor	Comprobar funcionamiento	X						
	Solicite al concesionario especializado su sustitución ¹⁾					X	X	
Ranuras de ventilación en caja del motor	Limpiar							X
Bolsa de filtro	Cambiar							X
Elemento del filtro	Limpiar							X
	Reemplazar						X	
Recipiente	Vaciar		X					
Todos los tornillos, tuercas y pernos accesibles	Volver a apretar							X
Etiqueta de información de seguridad	Reemplazar						X	

¹⁾ STIHL recomienda acudir a un concesionario STIHL para servicio

Localización de averías

Falla: El motor no arranca

Causa	Solución
El disyuntor de alimentación se ha disparado	Revise y reponga el disyuntor de alimentación
El protector contra sobrecargas se ha disparado	Permita que la aspiradora se enfríe por aproximadamente 5 minutos

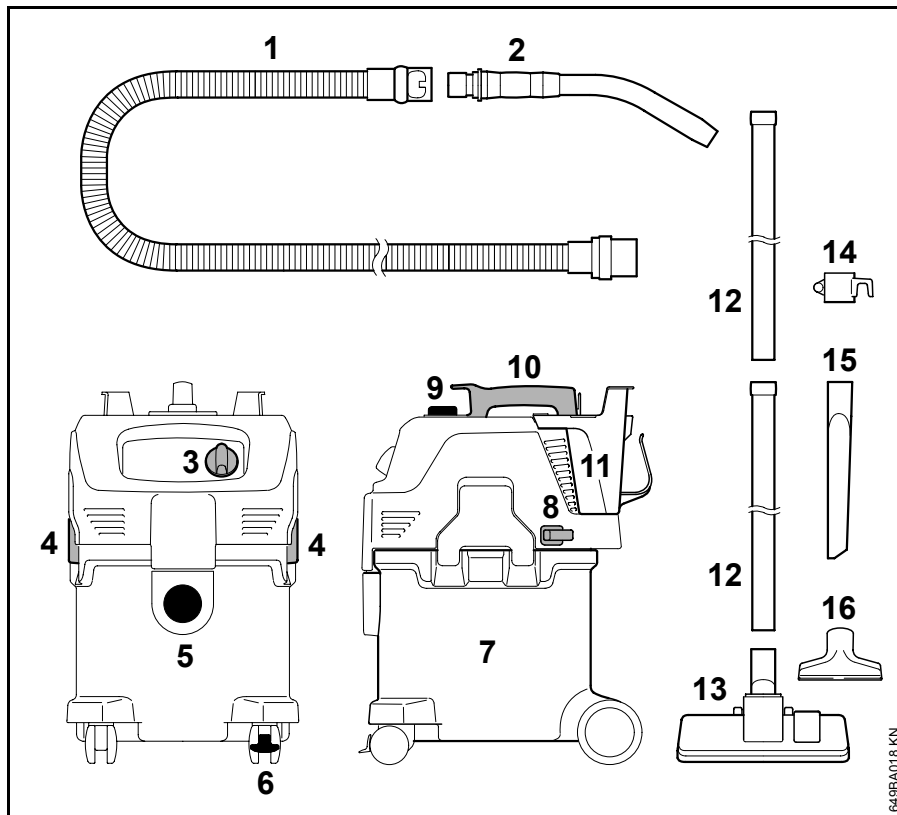
Falla: Aspiración deficiente

Causa	Solución
La bolsa de filtro está llena	Consulte "Vaciado del recipiente"
Obturación en manguera de aspiración/herramienta	Limpiar la manguera de aspiración/herramienta
Suciedad en elemento del filtro	Consulte "Limpieza del elemento del filtro" y "Sustitución del elemento del filtro"
La empaquetadura entre la parte superior de la aspiradora y el recipiente está sucia o averiada	Limpie o sustituya la empaquetadura

Falla: No hay fuerza de aspiración cuando se aspiran materiales húmedos

Causa	Solución
Recipiente lleno (la lumbrera de entrada ha sido cerrada por el flotador)	Consulte "Vaciado del recipiente"

Componentes importantes



- 1 Manguera de aspiración
- 2 Tubo de mango
- 3 Interruptor
- 4 Pestillo
- 5 Lumbreira de entrada de aspiración
- 6 Rueda con freno
- 7 Recipiente
- 8 Portador para herramientas y accesorios
- 9 Botón de limpieza de filtro
- 10 Mango
- 11 Portador de manguera de aspiración
- 12 Tubo de extensión
- 13 Herramienta para pisos
- 14 Portador de tubo de extensión
- 15 Herramienta para hendiduras
- 16 Herramienta universal
- 17 Manguito
- 18 Cordón eléctrico

649BA018 KN


Definiciones

- 1 Manguera de aspiración**
Dirige la tierra y/o líquidos aspirados hacia el recipiente.
- 2 Tubo de mango**
Sujeta y guía la herramienta utilizada.
- 3 Interruptor**
Para encender y apagar la máquina.
- 4 Pestillo**
Sujeta el motor al recipiente.
- 5 Lumbrera de entrada de aspiración**
Conexión entre el recipiente y la lumbrera de aspiración.
- 6 Rueda con freno**
Detiene la aspiradora en su lugar.
- 7 Recipiente**
Captura y almacena los polvos y/o líquidos aspirados.
- 8 Portador para herramientas y accesorios**
Permite el uso de boquillas y accesorios en la aspiradora.
- 9 Botón de limpieza de filtro**
Oprímalo para despejar los depósitos de polvo del filtro.
- 10 Mango**
Para sujetar y acarrear la aspiradora.
- 11 Portador de manguera de aspiración**
Para almacenar la manguera de aspiración.

- 12 Tubo de extensión**
Dirige la tierra y líquidos aspirados de la herramienta a la manguera de aspiración.
- 13 Herramienta para pisos**
Para limpiar superficies lisas y alfombras.
- 14 Portador de tubo de extensión**
Para almacenar el tubo de extensión.
- 15 Herramienta para hendiduras**
Para limpiar lugares difíciles de alcanzar.
- 16 Herramienta universal**
Herramienta para muchos usos diversos.

Especificaciones

Motor

Fuente de alimentación:	120 V, 60 Hz, 8,3 A
Capacidad eléctrica:	1000 W
Disyuntor:	15 A
Aislamiento:	Aislamiento doble 

Datos de rendimiento

Capacidad máx. de admisión de aire:	3200 l/min (113 pie ³ /min)
Aspiración máx.:	230 mbar / 91 pulg H ₂ O

Dimensiones

Largo aproximado:	485 mm (19 pulg)
Ancho aproximado:	385 mm (15 pulg)
Altura aproximada:	600 mm (24 pulg)
Capacidad del recipiente:	30 l (8 gal)
Largo de manguera de aspiración:	3 m (10 pies)
Diámetro interior:	36 mm (1,4 pulg)

Peso

ca. 10 kg (22 lb)

Valores de ruido

**Intensidad de presión sonora L_p
según EN 60704-1 (a una distancia de
1 m)**

64,8 dB(A)


Accesorios especiales

Comuníquese con su concesionario STIHL para información acerca de accesorios especiales que pueden estar disponibles para su producto.

Información de reparación

Los usuarios de esta máquina deben efectuar únicamente los trabajos de mantenimiento descritos en este manual. Solamente los talleres autorizados por STIHL deben llevar a cabo los demás trabajos de reparación.

Los reclamos de garantía presentados después de realizadas las reparaciones serán aceptados únicamente si las mismas fueron ejecutadas por un concesionario de servicio autorizado STIHL utilizando piezas de repuesto originales de STIHL.

Es posible identificar las piezas originales de STIHL por el número de pieza STIHL, el logotipo de **STIHL** y, en ciertos casos, el símbolo  de piezas STIHL. En las piezas pequeñas el símbolo puede aparecer solo.

Marcas comerciales

Marcas registradas de STIHL

STIHL®

STIHL®



La combinación de colores anaranjado-gris (Números de registro EE.UU. 2,821,860; 3,010,057, 3,010,058, 3,400,477; y 3,400,476)



4-MIX®

AUTOCUT®

EASYSTART®

FARM BOSS®

OIOMATIC®

STIHL Cutquik®

STIHL DUROMATIC®

STIHL Quickstop®

STIHL ROLLOMATIC®

STIHL WOOD BOSS®

TIMBERSPORTS®

YARD BOSS®

Algunos de las marcas comerciales de STIHL por ley común



BioPlus™

Easy2Start™

EasySpool™

ElastoStart™

Ematic™ /Stihl-E-Matic™

FixCut™

HT Plus™

IntelliCarb™

Master Control Lever™

Micro™

Pro Mark™

Quad Power™

Quiet Line™

STIHL M-Tronic™

STIHL Compact™

STIHL HomeScaper Series™

STIHL Interchangeable Attachment Series™

STIHL Magnum™ / Stihl-Magnum™

STIHL MiniBoss™

STIHL MotoPlus 4™

STIHL Multi-Cut HomeScaper Series™

Stihl Outfitters™

STIHL PICCO™

STIHL PolyCut™

STIHL PowerSweep™

STIHL Precision Series™

STIHL Protech™

STIHL RAPID™

STIHL SuperCut™

STIHL Territory™

TapAction™

TrimCut™

Esta lista de marcas comerciales está sujeta a cambios.

Queda terminantemente prohibido todo uso de estas marcas comerciales sin el consentimiento expreso por escrito de ANDREAS STIHL AG & Co. KG, Waiblingen.

Direcciones

STIHL Inc.

536 Viking Drive

P.O. Box 2015

Virginia Beach

VA 23452-2015 EE.UU.

 **WARNING!**

This product contains, or can disperse dust containing, chemicals known to the State of California to cause cancer, birth defects or other reproductive harm.

0458-649-8621

englisch / spanisch USA



www.stihl.com

 **ADVERTENCIA!**

Este producto contiene o es capaz de esparcir polvos que contienen sustancias químicas consideradas por el Estado de California como causantes de cáncer, defectos de nacimiento u otra toxicidad reproductora.



0458-649-8621