

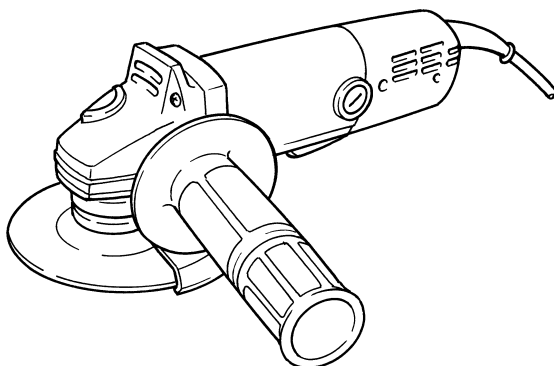
**Makita**<sup>®</sup>

## Angle Grinder

**100 mm 9526PB**

**115 mm 9527PB**

**125 mm 9528PB**



**DOUBLE  
INSULATION**

---

## SPECIFICATIONS

Model	9526PB	9527PB	9528PB
No load speed (min <sup>-1</sup> ) .....	11,000	11,000	11,000
Overall length .....	275 mm	275 mm	275 mm
Net weight .....	1.5 kg	1.5 kg	1.5 kg
Spindle thread .....	M10	M14	M14

---

- Due to our continuing programme of research and development, the specifications herein are subject to change without notice.
- Note: Specifications may differ from country to country.

### Intended use

The tool is intended for cutting, grinding and sanding of metal and stone materials without the use of water.

### Power supply

The tool should be connected only to a power supply of the same voltage as indicated on the nameplate, and can only be operated on single-phase AC supply. They are double-insulated in accordance with European Standard and can, therefore, also be used from sockets without earth wire.

## For European countries only

### Noise and Vibration

ENH003-1

The typical A-weighted sound pressure level is 84 dB (A).  
The noise level under working may exceed 85 dB (A).

– Wear ear protection. –

The typical weighted root mean square acceleration value is not more than 2.5 m/s<sup>2</sup>.

### EC-DECLARATION OF CONFORMITY

ENH001-1

We declare under our sole responsibility that this product is in compliance with the following standards of standardized documents,

HD400, EN50144, EN55014, EN61000

in accordance with Council Directives, 73/23/EEC, 89/336/EEC and 98/37/EC.

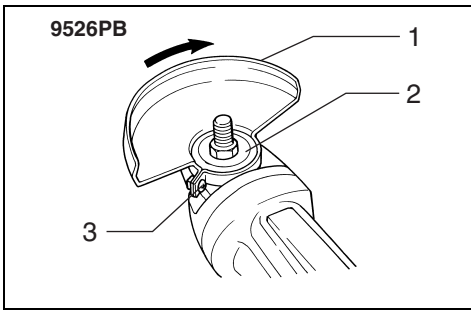
*Yasuhiko Kanzaki* **CE 2004**



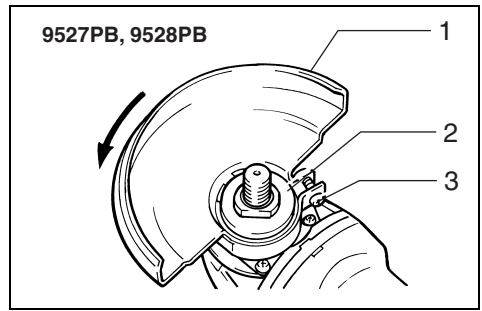
Director

## **MAKITA INTERNATIONAL EUROPE LTD.**

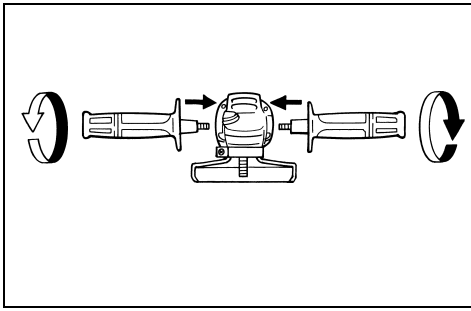
Michigan Drive, Tongwell, Milton Keynes,  
Bucks MK15 8JD, ENGLAND



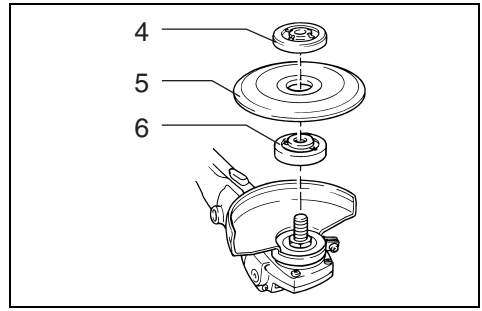
1



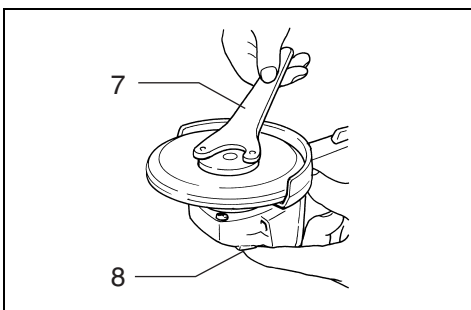
2



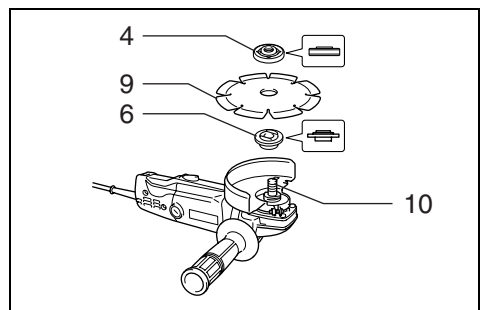
3



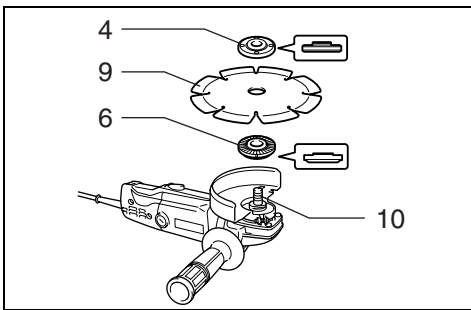
4



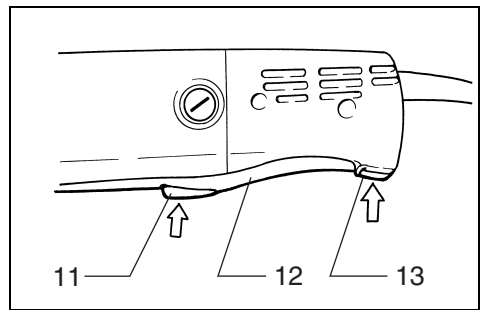
5



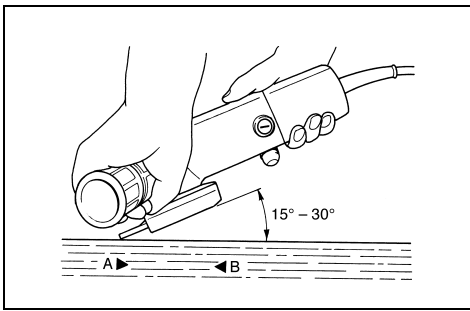
6



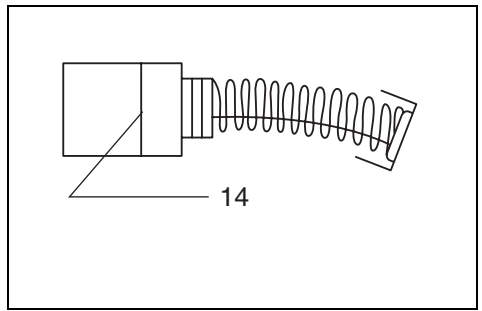
7



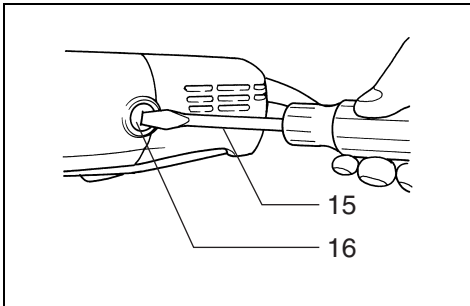
8



9



10



11

### Symbols

The followings show the symbols used for the tool. Be sure that you understand their meaning before use.



- Read instruction manual.



- DOUBLE INSULATION



- Wear safety glasses.



- Only for EU countries

Do not dispose of electric equipment together with household waste material!

In observance of European Directive 2002/96/EC on waste electrical and electronic equipment and its implementation in accordance with national law, electric equipment that have reached the end of their life must be collected separately and returned to an environmentally compatible recycling facility.

Explanation of general view

1 Wheel guard	7 Lock nut wrench	13 Lock-on button
2 Bearing box	8 Shaft lock	14 Limit mark
3 Screw	9 Diamond wheel	15 Screwdriver
4 Lock nut	10 Spindle	16 Brush holder cap
5 Depressed center wheel	11 Lock-off button	
6 Inner flange	12 Switch trigger	

**SAFETY INSTRUCTIONS**

**Warning! When using electric tools, basic safety precautions should always be followed to reduce the risk of fire, electric shock and personal injury, including the following. Read all these instructions before attempting to operate this product and save these instructions.**

**For safe operation:**

1. **Keep work area clean**  
Cluttered areas and benches invite injuries.
2. **Consider work area environment**  
Don't expose power tools to rain. Don't use power tools in damp or wet locations. Keep work area well lit. Don't use power tools in presence of flammable liquids or gases.
3. **Guard against electric shock**  
Prevent body contact with grounded surfaces (e.g. pipes, radiators, ranges, refrigerators).
4. **Keep children away**  
Do not let visitors contact tool or extension cord. All visitors should be kept away from work area.
5. **Store idle tools**  
When not in use, tools should be stored in dry, high, or locked-up place, out of the reach of children.
6. **Don't force tool**  
It will do the job better and safer at the rate for which it was intended.
7. **Use right tool**  
Don't force small tools or attachments to do the job of a heavy duty tool. Don't use tools for purposes not intended; for example, don't use circular saw for cutting tree limbs or logs.
8. **Dress properly**  
Do not wear loose clothing or jewellery. They can be caught in moving parts. Rubber gloves and non-skid footwear are recommended when working outdoors. Wear protective hair covering to contain long hair.
9. **Use safety glasses and hearing protection**  
Also use face or dust mask if cutting operation is dusty.
10. **Connect dust extraction equipment**  
If devices are provided for the connection of dust extraction and collection facilities, ensure these are connected and properly used.
11. **Don't abuse cord**  
Never carry tool by cord or yank it to disconnect it from receptacle. Keep cord from heat, oil and sharp edges.
12. **Secure work**  
Use clamps or a vice to hold work. It's safer than using your hand and it frees both hands to operate tool.
13. **Don't overreach**  
Keep proper footing and balance at all times.
14. **Maintain tools with care**  
Keep tools sharp and clean for better and safer performance. Follow instructions for lubricating and changing accessories. Inspect tool cords periodically and, if damaged, have repaired by authorised service facility. Inspect extension cords periodically and replace if damaged. Keep handles dry, clean and free from oil and grease.
15. **Disconnect tools**  
When not in use, before servicing, and when changing accessories such as blades, bits and cutters.
16. **Remove adjusting keys and wrenches**  
Form the habit of checking to see that keys and adjusting wrenches are removed from tool before turning it on.
17. **Avoid unintentional starting**  
Don't carry plugged-in tool with finger on switch. Be sure switch is off when plugging in.
18. **Outdoor use extension cords**  
When tool is used outdoors, use only extension cords intended for use outdoors and so marked.
19. **Stay alert**  
Watch what you are doing. Use common sense. Do not operate tool when you are tired.
20. **Check damaged parts**  
Before further use of the tool, a guard or other part that is damaged should be carefully checked to determine that it will operate properly and perform its intended function. Check for alignment of moving parts, binding of moving parts, breakage of parts, mounting, and any other conditions that may affect its operation. A guard or other part that is damaged should be properly repaired or replaced by an authorised service centre unless otherwise indicated elsewhere in this instruction manual. Have defective switches replaced by and authorised service centre. Do not use tool if switch does not turn it on and off.
21. **Warning**  
The use of any other accessory or attachment other than recommended in this operating instruction or the catalogue may present a risk of personal injury.
22. **Have your tool repaired by an expert**  
This electric appliance is in accordance with the relevant safety rules. Repairing of electric appliances may be carried out only by experts otherwise it may cause considerable danger for the user.

## ADDITIONAL SAFETY RULES

ENB031-5

1. Always use eye and ear protection. Other personal protective equipment such as dust mask, gloves, helmet and apron should be worn when necessary. If in doubt, wear the protective equipment.
2. Always be sure that the tool is switched off and unplugged before carrying out any work on the tool.
3. Keep guards in place.
4. Use only wheels with correct size and wheels having a maximum operating speed at least as high as the highest No Load Speed marked on the tool's nameplate. When using depressed center wheels, be sure to use only fiberglass-reinforced wheels.
5. Check the wheel carefully for cracks or damage before operation. Replace cracked or damaged wheel immediately.
6. Observe the instructions of the manufacturer for correct mounting and use of wheels. Handle and store wheels with care.
7. Do not use separate reducing bushings or adaptors to adapt large hole abrasive wheels.
8. Use only flanges specified for this tool.
9. Do not damage the spindle, the flange (especially the installing surface) or the lock nut. Damage to these parts could result in wheel breakage.
10. For tools intended to be fitted with threaded hole wheel, ensure that the thread in the wheel is long enough to accept the spindle length.
11. Before using the tool on an actual workpiece, test run the tool at the highest no load speed for at least 30 seconds in a safe position. Stop immediately if there is any vibration or wobbling that could indicate poor installation or a poorly balanced wheel. Check the tool to determine the cause.
12. Check that the workpiece is properly supported.
13. Hold the tool firmly.
14. Keep hands away from rotating parts.
15. Make sure the wheel is not contacting the workpiece before the switch is turned on.
16. Use the specified surface of the wheel to perform the grinding.
17. Do not use cutting off wheel for side grinding.
18. Watch out for flying sparks. Hold the tool so that sparks fly away from you and other persons or flammable materials.
19. Pay attention that the wheel continues to rotate after the tool is switched off.
20. Do not touch the workpiece immediately after operation; it may be extremely hot and could burn your skin.
21. Position the tool so that the power cord always stays behind the tool during operation.
22. If working place is extremely hot and humid, or badly polluted by conductive dust, use a short-circuit breaker (30 mA) to assure operator safety.
23. Do not use the tool on any materials containing asbestos.
24. Do not use water or grinding lubricant.

25. Ensure that ventilation openings are kept clear when working in dusty conditions. If it should become necessary to clear dust, first disconnect the tool from the mains supply (use non metallic objects) and avoid damaging internal parts.
26. When use cut-off wheel, always work with the dust collecting wheel guard required by domestic regulation.
27. Cutting discs must not be subjected to any lateral pressure.

## SAVE THESE INSTRUCTIONS.

## OPERATING INSTRUCTIONS

### Installing the wheel guard (Fig. 1 & 2)

Mount the wheel guard with the tab on the wheel guard band aligned with the notch on the bearing box. Then rotate the wheel guard 180° clockwise (for 9526PB) or counterclockwise (for 9527PB and 9528PB). Be sure to tighten the screws securely.

### Installing side grip (auxiliary handle) (Fig. 3)

For your own safety always use the side grip. The side grip can be installed on either side of the tool.

### Installing or removing the depressed center wheel

#### CAUTION:

- Always be sure that the tool is switched off and unplugged before installing or removing the wheel.

Mount the inner flange onto the spindle. Fit the wheel on over the inner flange and screw the lock nut onto the spindle. (Fig. 4)

To tighten the lock nut, press the shaft lock firmly so that the spindle cannot revolve, then use the lock nut wrench and securely tighten clockwise. (Fig. 5)

#### WARNING:

- Only actuate the shaft lock when the spindle is not moving.

### Installing or removing diamond wheel (accessory) (Fig. 6 & 7)

#### CAUTION:

- Make sure that the arrow on the tool should point in the same direction as the arrow on the diamond wheel.

Mount the inner flange onto the spindle. Fit the diamond wheel on over the inner flange and screw the lock nut onto the spindle. Notice that flat side of the lock nut should face the diamond wheel in case the diamond wheel is used.

### Switch action (Fig. 8)

#### CAUTION:

- Do not pull the switch trigger forcibly without pushing in the lock-off button.
- Before plugging in the tool, always check to see that the switch actuates properly and returns to the "OFF" position when released.

To prevent the switch trigger from being accidentally actuated, a lock-off button is provided. To start the tool, push in the lock-off button and then pull the switch trigger. Release the switch trigger to stop. For continuous operation, pull the switch trigger and then push in the lock-on button. To stop the tool from the locked position, pull the trigger fully, then release it.

### Operation (Fig. 9)

Hold the tool firmly with both hands. Turn the tool on and then apply the wheel or disc to the workpiece.

In general, keep the edge of the wheel or disc at an angle of about 15°–30° to the workpiece surface. During the break-in period with a new wheel, do not work the griader in the B direction or it will cut into the workpiece. Once the edge of the wheel has been rounded off by use, the wheel may be worked in both A and B directions.

#### WARNING:

- It should never be necessary to force the tool. The weight of the tool applies adequate pressure. Forcing and excessive pressure could cause dangerous wheel breakage.
- Continued use of a worn-out wheel may result in wheel explosion and serious personal injury. Depressed center wheel should not be used after it has been worn down to 75 mm in diameter for Model 9526PB or 90 mm for Models 9527PB and 9528PB in diameter. Use of the wheel after this point is unsafe and it should be removed from service and rendered unusable by intentional destruction.

### Operation with diamond wheel (accessory)

#### WARNING:

- Forcing and exerting excessive pressure or allowing the wheel to bend, pinch or twist in the cut can cause overheating of the motor and dangerous kickback of the tool.

#### CAUTION:

- After cutting operation, make sure that the diamond wheel stops revolving completely. Then, place the tool. It is dangerous to place the tool before turning off the tool. If there are dust or dirt around the tool, the tool may suck in them.

Be sure that the wheel does not contact the workpiece. Turn the tool on and hold the tool firmly. Wait until the wheel attains full speed. Now simply move the tool forward over the workpiece surface, keeping it flat and advancing smoothly until the cutting is completed.

## MAINTENANCE

#### CAUTION:

- Always be sure that the tool is switched off and unplugged before attempting to perform inspection or maintenance.

### Replacing carbon brushes (Fig. 10 & 11)

Remove and check the carbon brushes regularly. Replace when they wear down to the limit mark. Keep the carbon brushes clean and free to slip in the holders. Both carbon brushes should be replaced at the same time. Use only identical carbon brushes.

Use a screwdriver to remove the brush holder caps. Take out the worn carbon brushes, insert the new ones and secure the brush holder caps.

To maintain product SAFETY and RELIABILITY, repairs, any other maintenance or adjustment should be performed by Makita Authorized or Factory Service Centers, always using Makita replacement parts.

## ACCESSORIES

#### CAUTION:

- These accessories or attachments are recommended for use with your Makita tool specified in this manual. The use of any other accessories or attachments might present a risk of injury to persons. Only use accessory or attachment for its stated purpose.

If you need any assistance for more details regarding these accessories, ask your local Makita service center.

- Wheel cover
- Inner flange
- Depressed center wheels
- Lock nut
- Rubber pad
- Abrasive discs
- Lock nut 10 – 30 (For abrasive disc)
- Wire cup brush 75
- Wire bevel brush 85
- Diamond wheel

**Makita Corporation**  
Anjo, Aichi, Japan

884047C226