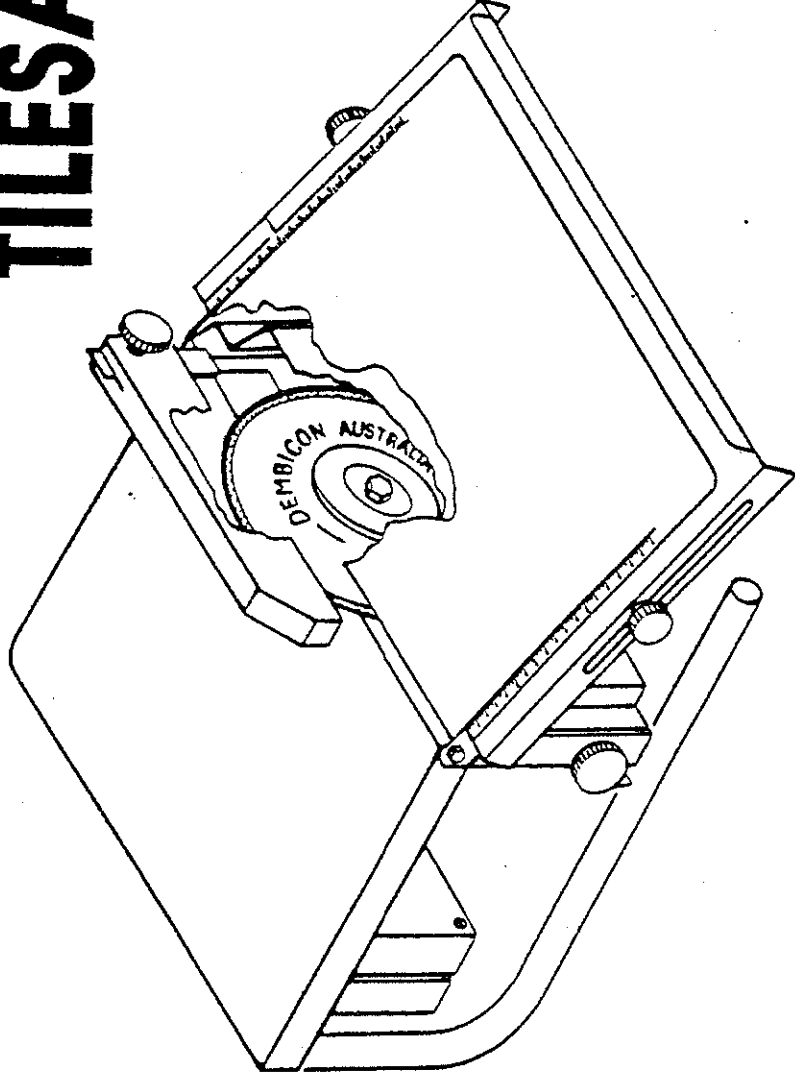


TURBIE TILESAW



PROUDLY PRODUCED IN AUSTRALIA BY DEMBICON AUSTRALIA SUPER SERVICE: 008 888 343

TUBBIE

PORTABLE TILE SAW

TUBBIE tile saw is a light, simple & maintenance free, portable saw designed for tile cutting operations.

TUBBIE allows easy mitre cut up to 45 degree by tilting the table. To do so release knobs Item No. 15. located on both sides of the saw and push gently levers 16. upwards. Tighten both knobs at the required angle. TUBBIE table is equipped with the vernier on both sides for easy adjustment of the cutting length. Cutting tile is positively supported by adjustable tile guide Item No. 10. To adjust the tile guide release the knobs Item No. 14. located on both sides of the table and shift the tile guide to the required position. Lock up the tile guide before you start cutting.

As it was mentioned the TUBBIE tile saw is maintenance free. It is of stainless steel laser cut & welded construction. But periodic cleaning of your saw will ensure smooth & trouble free operation.

SAFETY

Before you start to cut place the saw into the small tray. Tray must be almost filled with the water so the cutting blade is always partially immersed in it.

Check if the blade flange locking bolt Item No. 11 is tight.

Spanner is supplied together with the saw. Check if the blade guard Item No. 4 is tightened on the blade guard Item No. 5.

The blade guard locking knob (Item No. 6) allows for the height adjustment of the blade guard.

NEVER PLACE THE SAW TO THE TRAY OR TRAYS OTHER THAN DELIVERED BY DEMBICON AUSTRALIA.

WATER ALWAYS MUST BE KEPT AT THE LEVEL WHICH ALLOWS THE BLADE TO BE PERMANENTLY IN CONTACT WITH THE WATER.

To start the saw switch on the machine using switch Item No 18. mounted at the left hand side. Push gently the cutting tile against the blade.

Blades used for cutting must fit shaft arbor snugly otherwise pounding will occur and seriously damage the blade.

It is recommended Dembicon Australia diamond blades are used with the TUBBIE tile saw. Contact your Dembicon dealer for the correct selection of diamond blades.

NOTE that a specialised blade that is most efficient for extremely hard, vitreous glazed tile, can not be the most efficient blade to use on the softest, coarsest or light aggregate block.

IMPORTANT

ALWAYS USE THE APPROPRIATE DIAMOND BLADE.

AVOID JAMMING THE MATERIAL AGAINST THE BLADE WHICH CAN BE HAZARDOUS.

ALWAYS WEAR SAFETY GOGGLES OR SOME TYPE OF EYE PROTECTION WHEN OPERATING THE SAW.

IT IS RECOMMENDED TO USE HEARING PROTECTION AS WELL.

CLEAN THE SAW AFTER CUTTING.